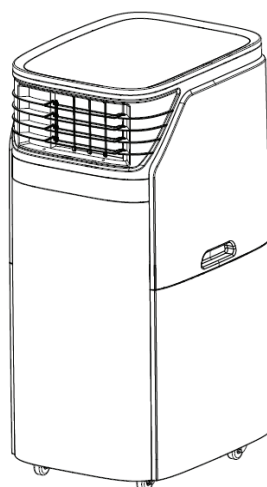




## OPERATING INSTRUCTIONS FOR:

**AC Palermo 18K** WAC1810G  
**AC Palermo 22K** WAC2201G  
**AC Palermo 18K Duo A+** WAC1811G



Visit [woods.se](http://woods.se) for more information and updated instruction manuals.

For extended warranty register your product at [warranty-woods.com](http://warranty-woods.com)

<b>GB</b>	<i>Operating Instructions</i>	<b>PL</b>	<i>Instrukcja obsługi</i>
<b>SE</b>	<i>Bruksanvisning</i>	<b>RO</b>	<i>Manual utilizare</i>
<b>NO</b>	<i>Bruksanvisning</i>	<b>FI</b>	<i>Käyttöohjeet</i>
<b>DK</b>	<i>Betjeningsvejledning</i>	<b>LT</b>	<i>Naudojimosi instrukcija</i>
<b>DE</b>	<i>Bedienungsanleitung</i>	<b>LV</b>	<i>Lietošanas instrukcija</i>
<b>FR</b>	<i>Guide d'instructions</i>	<b>EE</b>	<i>Kasutusjuhend</i>
<b>ES</b>	<i>Manual de instrucciones</i>	<b>GK</b>	<i>Οδηγίες λειτουργίας</i>
<b>NL</b>	<i>Gebruiksaanwijzing</i>	<b>IS</b>	<i>Notkunarleiðbeiningar</i>
		<b>IT</b>	<i>Istruzioni per l'uso</i>

**Visit woods.se to:**

Get usage advice, updated brochures, troubleshoot and service information  
Register your product for additional services: [www.warranty-woods.com](http://www.warranty-woods.com)

**CUSTOMER CARE AND SERVICE**

Always use original spare parts. When contacting our Authorised Service Centre, ensure that you have the following data available: Model number, receipt and serial number.

The refrigerant used in portable air conditioner is the environmentally friendly hydrocarbon R290. This refrigerant is odorless, and compared to the alternative refrigerant, the R290 is an ozone-free refrigerant.

Warning / Caution-Safety information.  
General information and tips.  
Environmental information.  
Subject to change without notice.

**RE Declaration of Conformity (DoC)**

Equipment: Air conditioner

**Products :**

AC Palermo 22K  
AC Palermo 18K  
AC Palermo 18K Duo A+

Woods Production Sweden AB hereby declares that the above products confirm with below standards, when installed and operated in accordance with valid installation and operational standards and the information in manuals and data sheets.

Woods Production Sweden AB hereby declares that the above products are the same as the models from the test report: GS64.111.21.06046.03 Rev.01, CE64.111.21.06046.03 Rev.00  
ERP240115106GZU-003, ERP240115106GZU-004, EMC64.711.20.05692.03A

**Directives:**

LVD 2014/35/EU  
EMC 2014/30/EU  
RoHS Directive 2011/65/EU and (EU) 2015/863  
EU REACH Regulation No 1907/2006 Article 33(1)  
RED 2014/53/EU

**Standards:**

EN 60335-2-40:2003+A11:2004+A12:2005+A1:2006+A2:2009+A13:2012  
EN 60335-1:2012+A11:2014+A13:2017+A1:2019+A14:2019+A2:2019+A15:2021  
EN 62233:2008  
EN IEC 55014-1: 2021  
EN IEC 55014-2:2021  
EN IEC 61000-3-2:2019+A1:2021  
EN IEC 61000-3-11:2019  
EN 300 328 V2.2.2  
EN IEC 62311:2020  
EN 301 489-1 V2.2.3  
EN 301 489-17 V3.2.4

Woods Production Sweden AB  
Box356  
SE-441 27 Alingsås,  
Sweden

Alingsås 2025-05-23



**CONTENTS:**

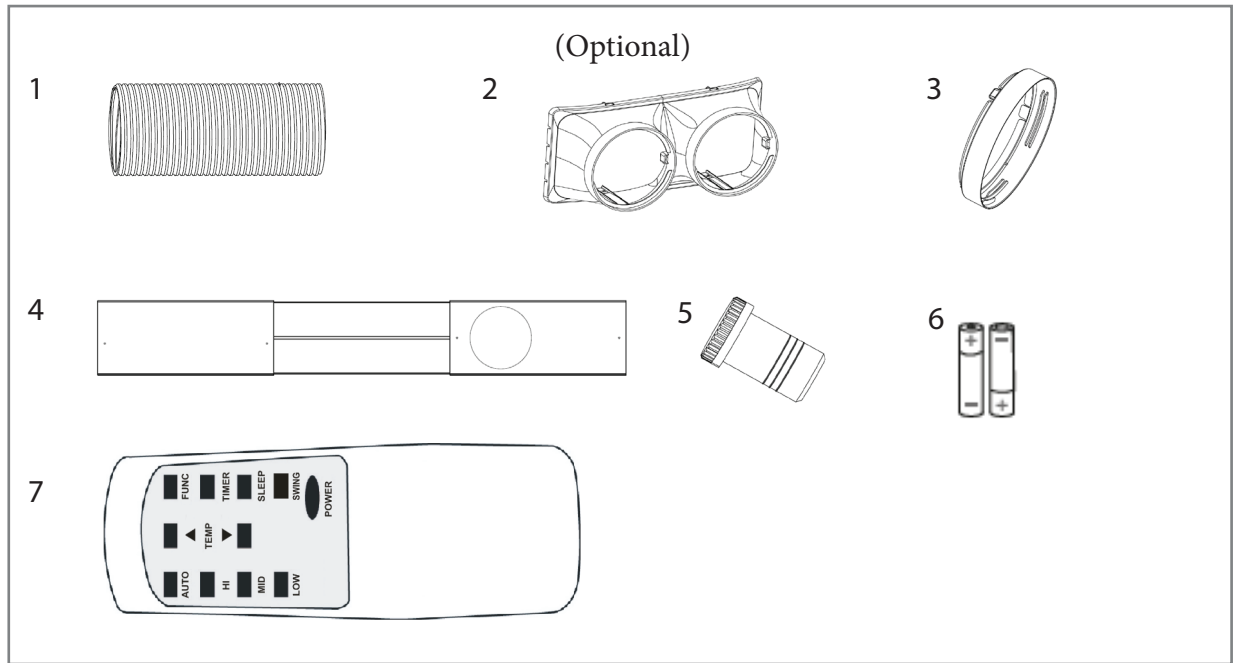
**PAGE NO.**

TABLE OF CONTENTS

OPERATING INSTRUCTIONS

<i>English</i>	.....	12-19
<i>Swedish</i>	.....	20-27
<i>Norwegian</i>	.....	28-35
<i>Danish</i>	.....	36-43
<i>German</i>	.....	44-51
<i>French</i>	.....	52-59
<i>Spanish</i>	.....	60-67
<i>Dutch</i>	.....	68-75
<i>Polish</i>	.....	76-83
<i>Romanian</i>	.....	84-91
<i>Finnish</i>	.....	92-99
<i>Lithuanian</i>	.....	100-107
<i>Latvian</i>	.....	108-115
<i>Estonian</i>	.....	116-123
<i>Greek</i>	.....	124-131
<i>Icelandic</i>	.....	132-139
<i>Italian</i>	.....	140-148

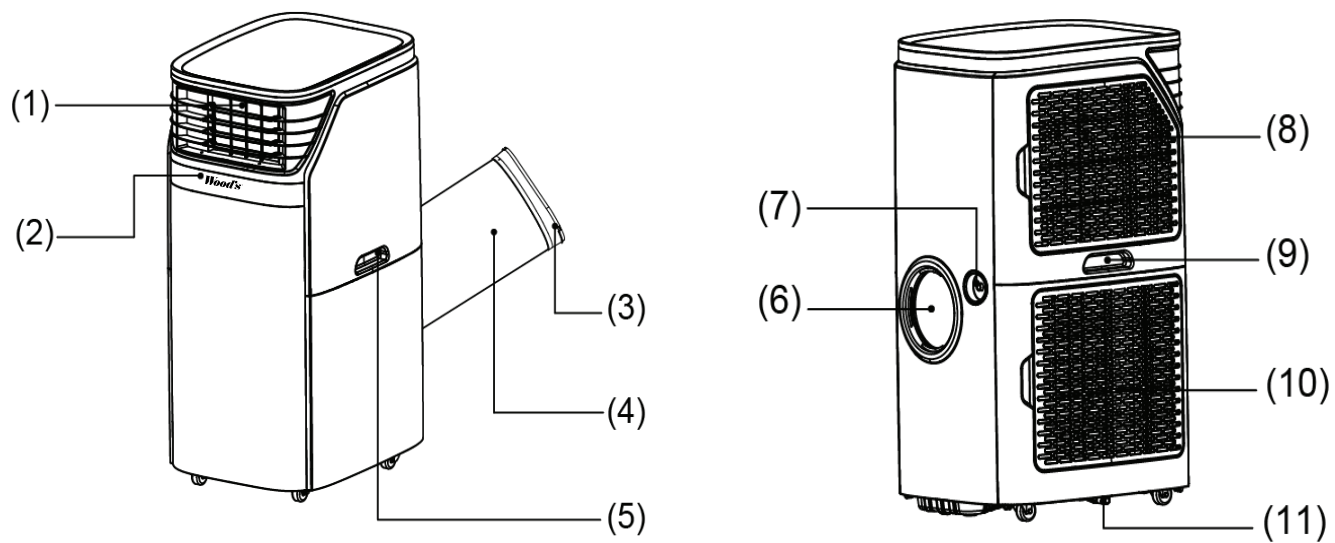
A.



B.



C.



D.



**E.** With heating function (Duo)

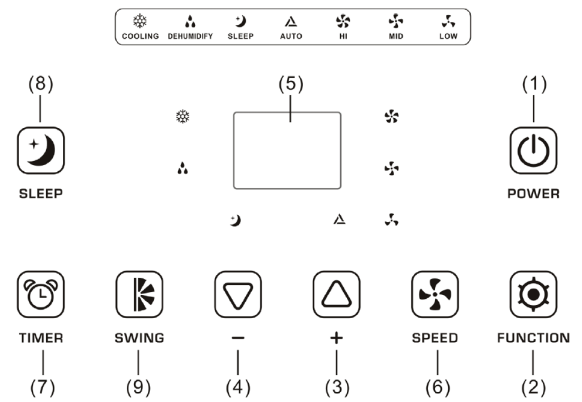
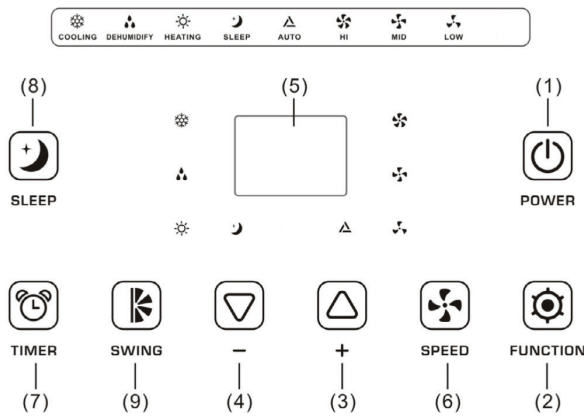
Palermo 18K/22K



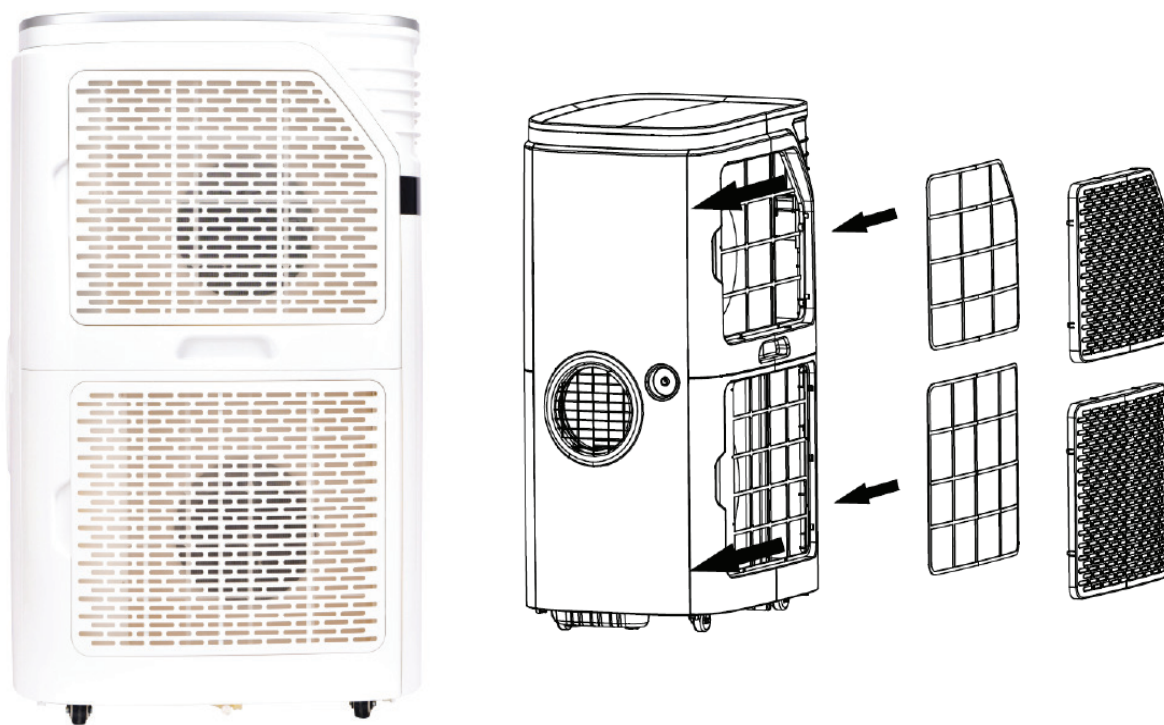
**F.**

With heating function (Duo)

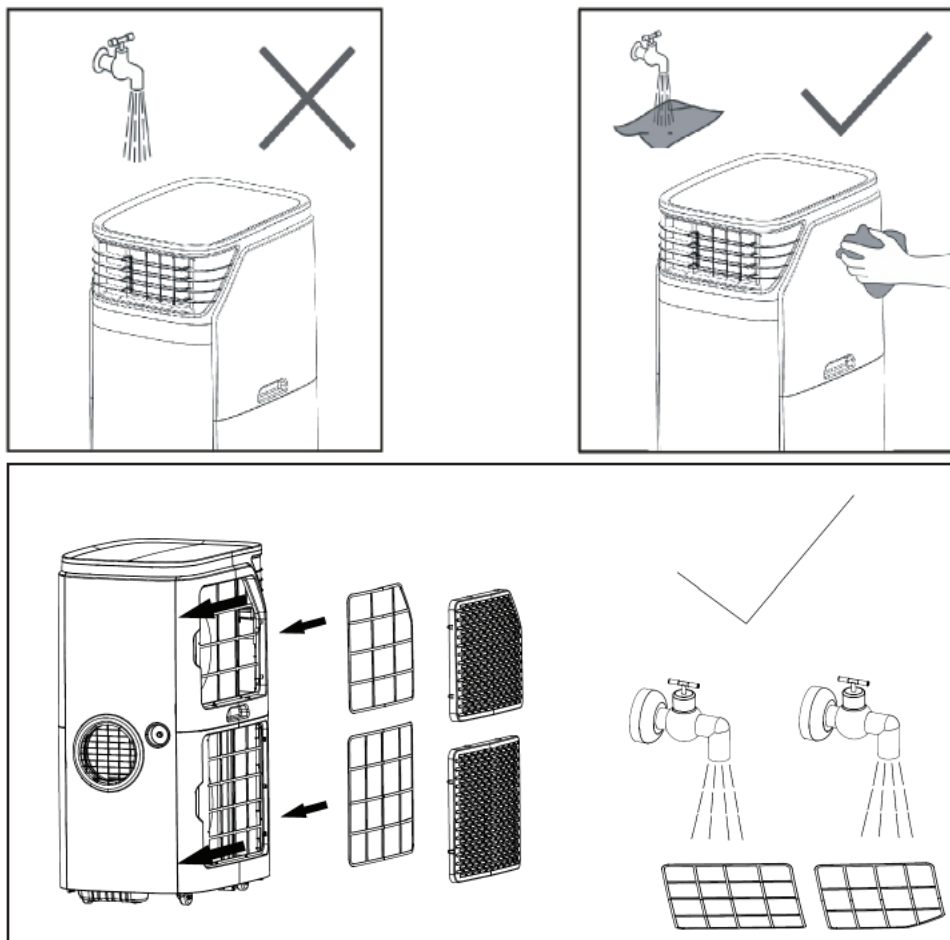
Palermo 18K/22K



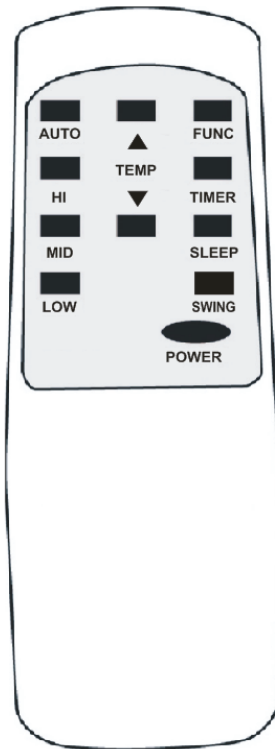
G.



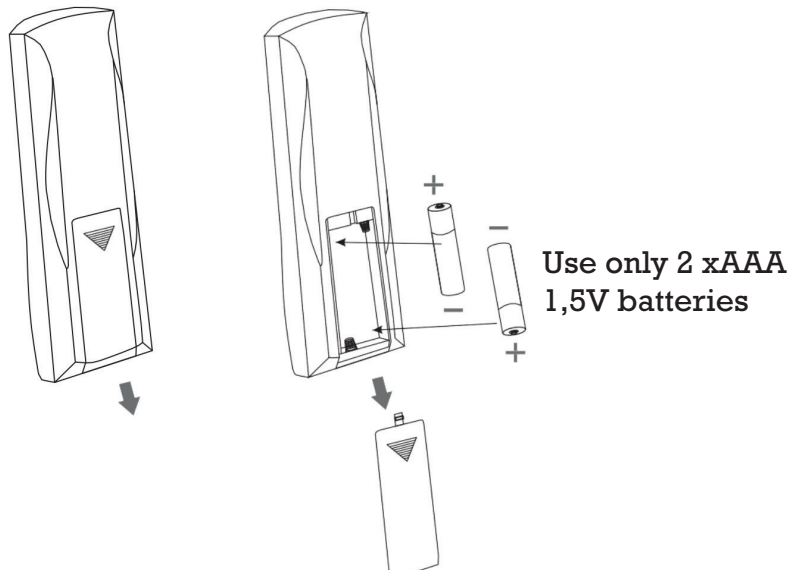
H.



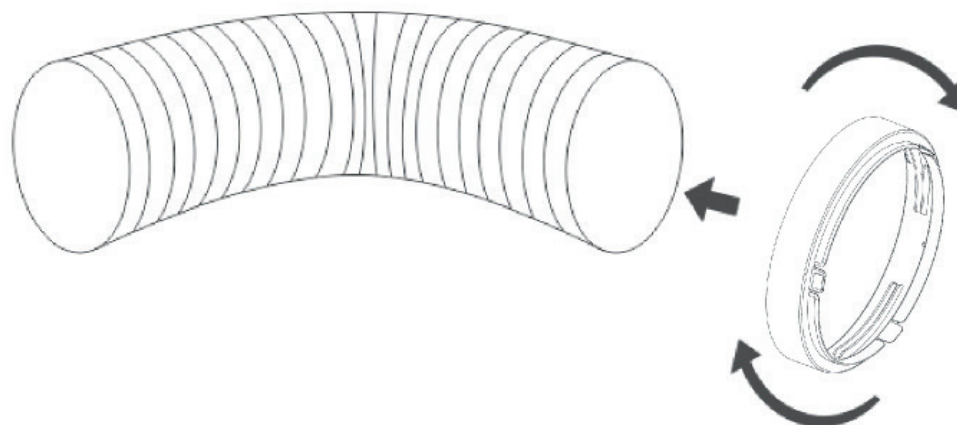
I.



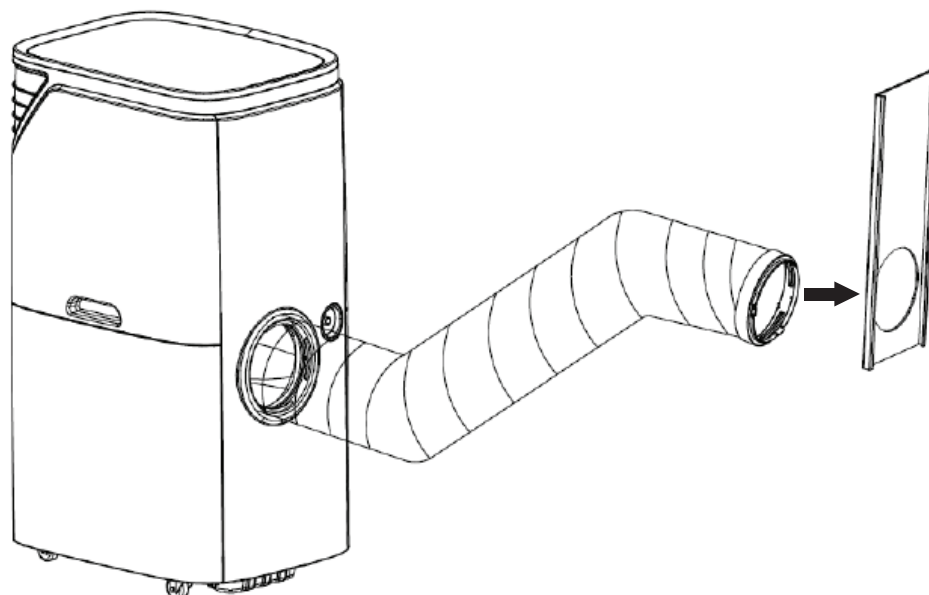
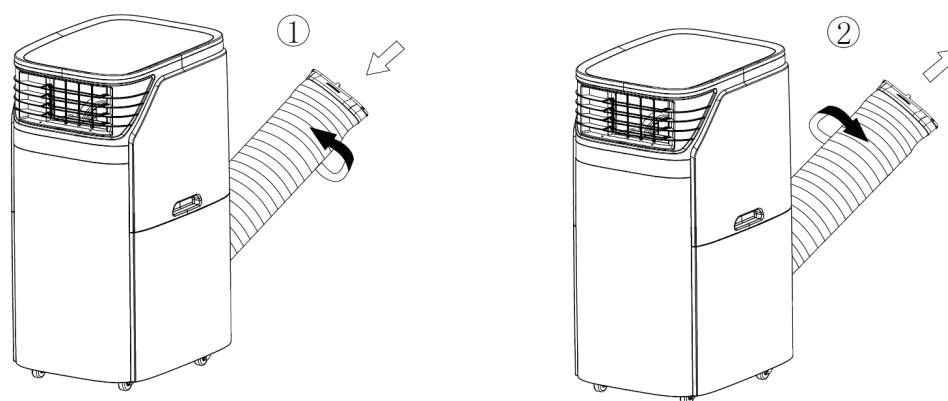
J.



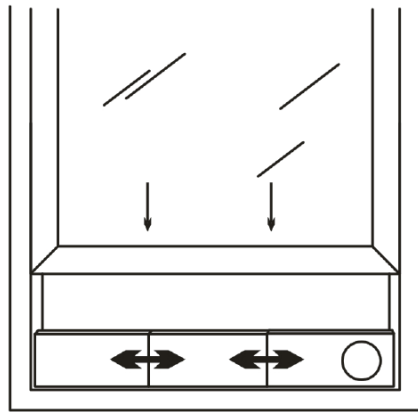
K.



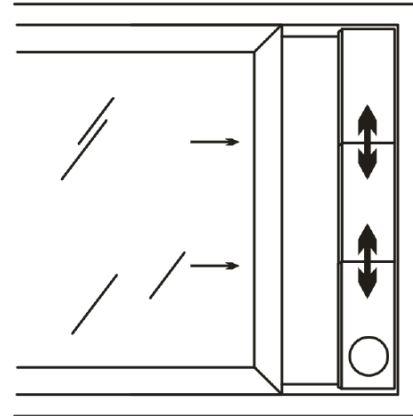
L.



M.

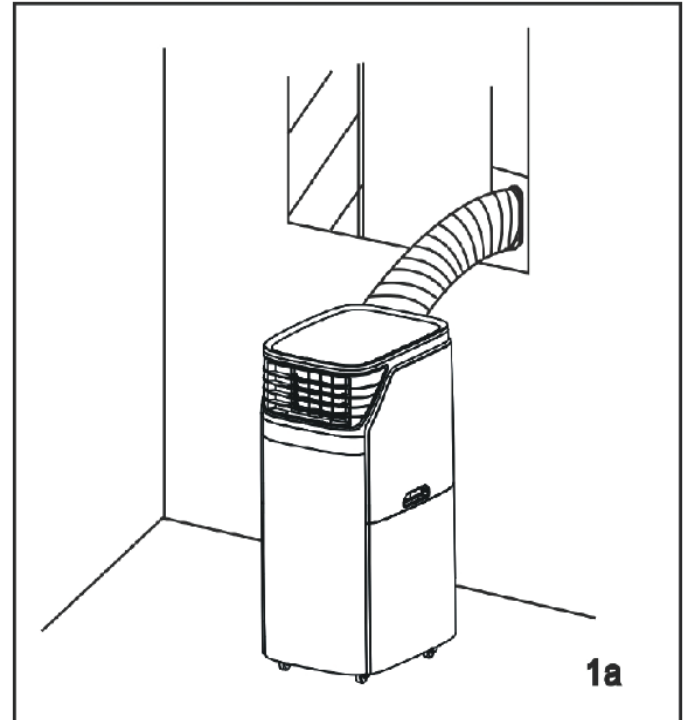
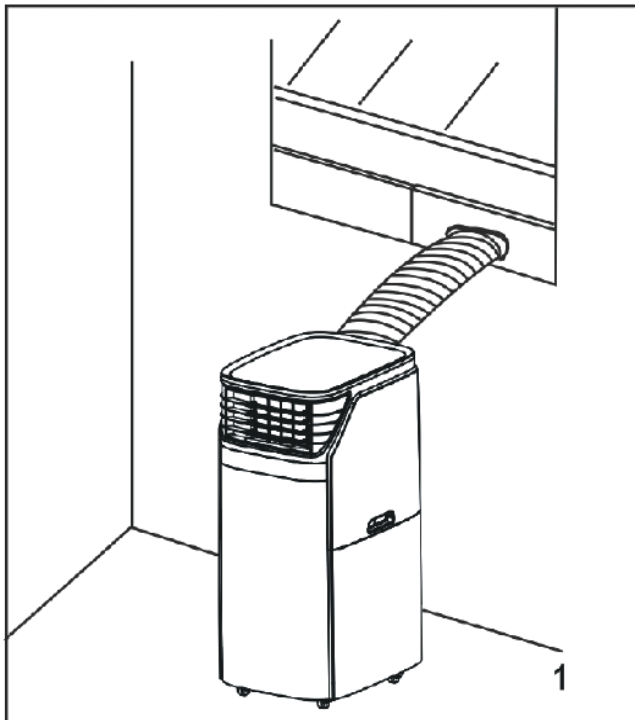


Window width  
min: 53cm  
max: 150cm

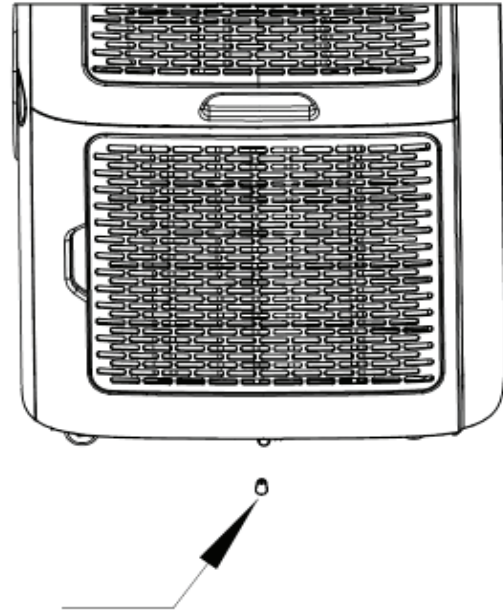
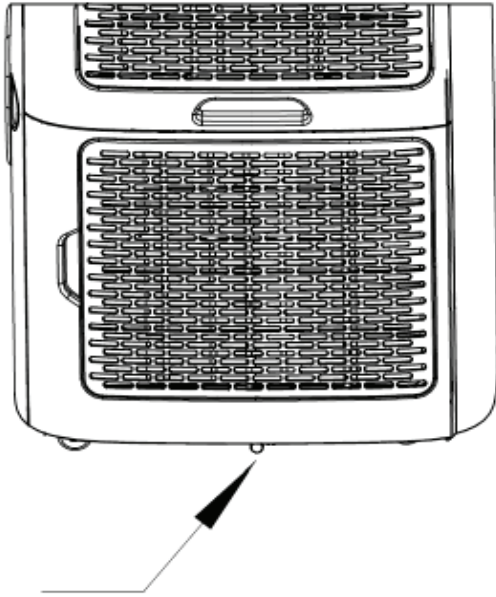


Window height  
min: 53cm  
max: 150cm

N.



0.



## WOOD'S FOR CLEAN AND HEALTHY INDOOR AIR

The brand Wood's was born with the Wood's family over 65 years ago in the Canadian city of Guelph, Ontario. This is where Wood's began developing and manufacturing dehumidifiers in 1950. Since then Wood's has helped several hundred thousand households to prevent damages from mould damp, and to breathe cleaner air. Our portable air conditioners are suitable for use in most climates, where capacity is good even at different temperatures and humidity levels. They are used with good results in premises that become hot such as livingrooms, offices or bedrooms. The amount of hot air that the air conditioner removes depends on the temperature, humidity level and placement. External weather conditions may also affect the performance of the air conditioner.

Wood's air conditioners are safe in operation and intended for continuous use over many years.

## HOW DOES THE AIR CONDITIONING UNIT WORK?

Low pressure gives cold air

The main element of the air conditioner is a coolant, which under low pressure is converted to gas. The process "creates cold", which is transmitted inward, while keeping the warm air out.

A liquid coolant is passed through an expansion valve and into a pipe where the pressure is low.

The coolant evaporates and turns into a gas. The process absorbs heat from the surroundings and the pipe is cooled.

A fan blows the cold air into the room.

The gas is passed through a compressor, which increases the pressure and converts the gas into liquid.

In this process, heat is released, which is led to pipes on the opposite side and blown out by a fan.

A thermostat shuts off the unit when the indoor air is cold enough.

## 1. SECURITY WARNINGS



Flammable material. This appliance contains R290/Propane a flammable refrigerant.



Refer to this manual for safety information.



Read technical manual



Read operators manual.

## SAFETY INFORMATION

Before the installation and use of the appliance, carefully read the supplied instructions. The manufacturer is not responsible if an incorrect installation and use causes injuries and damages. Always keep the instructions with the appliance for future reference.

## Children and vulnerable people safety

### WARNING



Risk of injury or permanent disability.

This appliance can be used by children aged 8 years and above and persons with reduced physical, sensory or mental capabilities or lack of experience and knowledge if they have been given supervision or instruction concerning use of the appliance in a safe way and understand the hazards involved.

Do not let children play with the appliance.

Children of less than 3 years should be kept away unless continuously supervised.

Keep all packaging away from children.

Cleaning and user maintenance shall not be made by children without supervision.

## General Safety

This appliance is intended to be used in household and similar applications such as: Family room, living room, staff kitchen areas in shops, offices and other working environments. The rating plate is located at the side or back of the Air Conditioner.

Keep ventilation openings clear of obstruction.

Do not use mechanical devices or other means to accelerate the defrosting process, other than those recommended by the manufacturer.

The appliance shall not be stored in a room with operating ignition sources (for example: open flames, an operating gas appliance or an operation electric heater. Do not pierce or burn.

Be aware that refrigerants may not contain an odour. Do not use water spray and steam to clean the appliance. Clean the appliance with a moist soft cloth. Only use neutral detergents. Do not use abrasive products, abrasive cleaning pads, solvents or metal objects.

If the supply cord is damaged, it must be replaced by the manufacturer, its Authorised

Service Centre or similarly qualified persons in order to avoid a hazard.

## SAFETY INSTRUCTIONS

### Installation

#### WARNING



Only a qualified person must install this appliance.

Remove all the packaging.

Do not install or use a damaged appliance. The appliance shall be installed, operated and stored in a room with a floor area larger than 13 m<sup>2</sup>(AC Palermo 18K) /25 m<sup>2</sup>(AC Palermo 22K). Obey the installation instruction supplied with the appliance.

Always be careful when you move the appliance because it is heavy.

Always wear safety gloves. Be aware that refrigerants may not contain an odour.

Make sure the air can circulate around the appliance.

Wait at least 4 hours before connecting the appliance to the power supply. This is to allow the oil to flow back in the compressor. Do not install the appliance close to radiators or other heat sources. Do not install the appliance where there is direct sunlight.

### Electrical connection

#### WARNING



Risk of fire and electrical shock. The appliance must be connected to a grounded outlet. Make sure that the electrical information on the rating plate matches with the power supply. If not, contact an electrician. Always use a correctly installed shockproof socket.

Do not use multi-plug adapters and extension cables. Make sure not to cause damage to the electrical components (e.g. mains plug, mains cable). Contact the Authorised Service Centre or an electrician to change the electrical components. The mains cable must stay below the level of the mains plug. Connect the mains plug to the mains socket only at the end of the installation. Make sure that there is access to the mains plug after the installation. Do not pull the mains cable to disconnect the appliance. Always pull at the mains plug. This unit needs at least 25 Amps of electricity to have its compressor operational. To avoid the household electricity block out, please do not use any extension cord for this unit.

### Use

#### WARNING



Risk of injury, burns, electrical shock or fire. Do not change the specification of this appliance. Be careful not to cause damage to the refrigerant circuit. It contains propane (R290), a natural gas with a high level of environmental compatibility. This gas is flammable. If damage occurs to the refrigerant circuit, make sure that there are no flames and sources of ignition in the room. Ventilate the room. Do not put flammable products or

items that are wet with flammable products near or on the appliance. Operate this unit in an ambient of 35 degree centigrade or less. Clean air filter periodically to enjoy the most efficient cooling. When the unit is shut off, please wait at least 3.5 minutes before restarting this is to prevent the compressor from being damaged. When turning on the unit, the fan will operate but the compressor will start up after the cooling alarm flashes for three minutes. The air-conditioner can be connected only to a supply with system impedance no more than 0.219Ω. In case necessary, please consult your supply authority for system impedance information.

### Disposal

#### WARNING



Risk of injury. Disconnect the appliance from the mains supply. Cut off the mains cable and discard it. The refrigerant circuit of this appliance is ozone-friendly. Contact your municipal authority for information on how to discard the appliance correctly. Do not cause damage to the part of the cooling unit that is near the heat exchanger.

## SET UP AIR CONDITIONER FOR INSTALLATION

### Transportation, marking and storage for units

1. Transport of equipment containing flammable refrigerants  
Compliance with the transport regulations

2. Marking of equipment using signs  
Compliance with local regulations

3. Disposal of equipment using flammable refrigerants  
Compliance with national regulations

4. Storage of equipment/appliances  
The storage of equipment should be in accordance with the manufacturer's instructions.

5. Storage of packed (unsold) equipment  
Storage package protection

should be constructed such that mechanical damage to the equipment inside the package will not cause a leak of the refrigerant charge. The maximum number of pieces of equipment permitted to be stored together will be determined by local regulations.

6. The appliance shall be stored so as to prevent mechanical damage from occurring.

7. General work area  
All maintenance staff and others working in the local area shall be instructed on the nature of work being carried out. Work in confined spaces shall be avoided. The area around the workspace shall be sectioned off. Ensure that the conditions within the area have been made safe by control of flammable material.

### 2. Installation

#### Important

1. This air conditioner may be moved around indoor conveniently; keep the unit in upright position while moving it. The air conditioner shall be placed at a flat surface. Do not install or operate this air conditioner in a bathroom or other wet environment.

Since a portable air conditioner is on wheels, it is easy to change positions. When the heat turns on, you just move your portable air conditioner into the room and can quickly get started cooling the space. Air conditioner must be operated in an enclosed area to be most effective. Close all doors, windows, and other outside openings to the room. The effectiveness of the Air Conditioner depends on the temperature and humidity level.

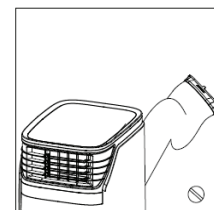
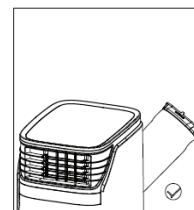
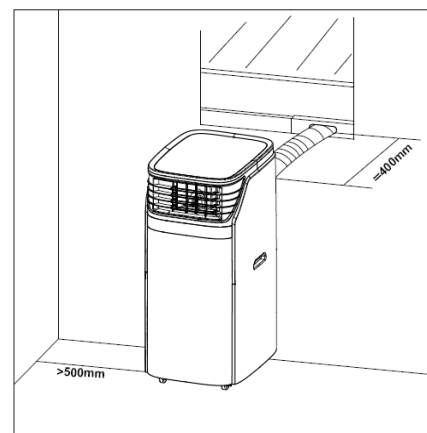
2. Place the air conditioner in a location that does not restrict airflow through the front of the unit.

3. An Air Conditioner operating in a room will have little or no effect in drying an adjacent enclosed storage area, such as a closet, unless there is adequate circulation of air in and out of the area. A portable Air Conditioner evacuates the heat from the unit with a ventilation hose through a window or exhaust air valve.

4. Extend the exhaust hose to a length of not more than 400 mm. The exhaust hose must be kept parallel and must not be bent up or down.

5. There should be a minimum of 50 cm distance between Air Conditioner and closest object. See picture for reference.

6. When this appliance starts to defrost, the word "DF" will be displayed on the LED



## PRODUCT DESCRIPTION

### 3. Product description

- A**
1. Exhaust hose
  2. Window Connector, optional
  3. Window Kit
  4. Plug
  5. Batteries
  6. Remote Controller
  7. Connector for cool air outlet (optional)
- B**
1. Product pictures
- C**
1. Cool air outlet
  2. Control panel
  3. Round adaptor(end)
  4. Exhaust hose
  5. Handle of right side
  6. Hot air outlet
  7. Upside drain hole
  8. Cool air inlet grille
  9. Handle of left side
  10. Hot air inlet grille
  11. Downside drain hole
- D**
1. Product back pictures
- E**
1. Product top picture
- F**
1. POWER KEY
  2. FUNCTION
  3. TEMPERATURE REGULATION KEY (UP)
  4. TEMPERATURE REGULATION KEY (DOWN)
  5. L.E.D. DISPLAY
  6. SPEED
  7. PROGRAMMABLE TIMER
  8. SLEEP CONTROL FUNCTION
  9. SWING
- G**
1. Picture of the filter removal
- H**
1. Schematic diagram of filter screen cleaning
- I**
1. POWER—On/Off switch
  2. FUNC—Function "MODE" selector
  3. TIMER—Hourly programming
  4. AUTO—Automatic fan speed
  5. HI—High fan speed
  6. MID—Medium fan speed
  7. LOW—Low fan speed
  8. SLEEP—Night operation selector
  9. TEMP.—Temperature selector
  10. SWING—Swing
- J**
1. Remote control battery replacement. Use only 2 xAAA 1,5V batteries
- K**
1. Twist the exhaust hose into the Hose Connector.
- L**
1. Introduction to Exhaust Hose Installation
- M**
1. Window Slider Kit Installation
- N**
1. Insert plug for window set
- O**
1. Picture of water outlet

## FUNCTION OF THE OPERATION MODES AND INSTALLATION DESCRIPTIONS

### A. Accessories

After unpacking, please check whether the above-mentioned accessories are included, and check their purposes in the installation introduction in this manual. The connector for cool air outlet is optional

### B. Mobile air conditioner

### J. Appearance and Function of Remote Control.

Notes:- Do not drop the remote control.- Do not place the remote control in a location exposed to direct sunlight.

### M. Operation Introduction

Before starting operations in this section:

- 1) Find a place where there is power supply nearby.
- 2) Install the exhaust hose, and adjust the window position well.
- 3) Connect drain hose well (only for using heating model);
- 4) Insert the power cord into an grounded AC220~240V/50Hz socket;
- 5) Press the POWER button to turn on the air-conditioner.

### K&L. Introduction to Exhaust Hose Installation

#### A) Temporary installation

1. Twist the exhaust hose into the Hose Connector. and the outlet at back of the air conditioner
2. Put the other end of the exhaust hose to the near windowsill.

#### N. Window Slider Kit Installation

The installation manner of window slider kit is mostly in "horizontal" and "vertical". As shown Fig.5 and Fig.5a, check the min. and max. size of the window before the installation.

1. Install the window kit on the window ;
2. Adjust the length of the window slider kit according to the window width or height, and fix it with the dowel;
3. Insert the Window Connector hose to the hole of the Window Kit.

### O. Internal Tank Water Full Alarm Function

The inner water tank in the air conditioner has one water level safety switches, it controls water level. When water level reaches an anticipated height, the water full indicator lamp lights up. (when the water is full, please remove the rubber blockage at the bottom of unit, and all water will be drained outside.)

### H. Maintenance Explanations

***It is very important that the filter is cleaned regularly; otherwise the air conditioner might lose capacity and even be seriously damaged.***

#### Declaration:

- 1) Before cleaning, be sure to disconnect the unit from any electric supply outlet;
- 2) Do not use gasoline or other chemicals to clean the unit;
- 3) Do not wash the unit directly;
- 4) If the conditioner is damaged, please contact the dealer or repair shop.

#### 1. Air Filter

-If the air filter becomes clogged with dust/dirt, the air filter should be cleaned once every two weeks.

##### -Dismounting

Open the air inlet grille and take off air filter.

##### -Cleaning

Clean the air filter with neutral detergent in lukewarm ( 40°C ) and dry it up in the shade.

##### -Mounting

Putting the air filter into the inlet grille, replace the components as they were.

#### 2. Clean the Air-conditioner Surface

First clean the surface with a neutral detergent and wet cloth, and then wipe it with a dry cloth.

### E. Before using

Check up whether the exhaust hose has been mounted properly.

Cautions for cooling and dehumidifying operations:

- When using functions on cooling and dehumidifying, keep an interval of at least 3 minutes between each POWER.
- Power supply meets the requirements.
- The socket is for AC use.
- Do not share one socket with other appliances.
- Power supply is AC220-240V, 50Hz

When unplugged: All keys and indicator lights are not visible.

When plugged in: The indicator light of power key and timing key is half on for operation.

#### 1. POWER KEY

Press to turn unit "ON" or "OFF"

#### 2. FUNCTION

Press this key to select cooling, dehumidifying or fan.

#### 3. TEMPERATURE REGULATION KEY (UP)

During cooling function: This key raises the preset temperature by 1°C each time it is pressed and the maximum limit is 30°C . During heating function (only Duo model) this button increases the timing time by one hour each time it is pressed, along with an increase in the cycle.

#### 4. TEMPERATURE REGULATION KEY (DOWN)

During cooling function: This key lowers the preset temperature by 1°C each time it is pressed and the minimum limit is 17°C. During heating function (only Duo model) this button raises the preset temperature by 1°C each time it is pressed, with the maximum limit set at 30°C. Additionally, this button lowers the preset temperature by 1°C each time it is pressed, and the

## FUNCTION OF THE OPERATION MODES AND INSTALLATION DESCRIPTIONS

minimum limit is 17°C.

During timing function: Decreasing timing time, this key lowers the time by 1 hour each time it is pressed and decreasing cycle.

### 5. L.E.D. DISPLAY

The display indicates the current setting temperature or the timer setting. When the set temperature or the timer is adjusted, the new setting is shown then the display returns the current set temperature.

※ The display is also used to show error codes should a fault occur, see ERROR CODES.

**6. Cooling:** Press to select either LOW, MEDIUM, HIGH or AUTO fan speed. If "AUTO" is selected, "HIGH" or "MEDIUM" or "LOW" will be selected automatically according to the difference between setting temperature and ambient temperature.

Ambient temperature- Setting temperature >4°C: Machine is High fan speed. 2°C ≤ Ambient temperature-Setting temperatures ≤4°C: Machine is Middle fan speed. 0°C ≤ Ambient temperature-Setting temperature ≤ 2°C: Machine is Low fan speed.

Fan: Press to select either LOW, MEDIUM, HIGH or AUTO fan speed. \*Please note that automatic wind speed can only be set in heating (only Duo model) and cooling modes.

Note: In dehumidifying function, this key is invalid because the unit is defined to be low speed in dehumidifying mode.

### 7. PROGRAMMABLE TIMER

Programmable timer ON/OFF key.

**TIMER-ON:** The timer-on is used to turn on the unit automatically after the set time is over.

- 1) Press the "TIMER" key at stand-by status to set the time you desired.
- 2) Once the set hour has come to an end, the unit will turn on automatically.

3) Press the "POWER" key before time out, the setting time will be canceled and the unit will turn on.

4) You can set the function and fan speed while setting the timer.

**TIMER-OFF:** The timer-off is used to turn off the unit automatically after the setting time is over.

- 1) Press the "TIMER" key at operating status to set the time you desired.
- 2) Once the set hour has come to an end, the unit will turn off automatically.
- 3) Press the "POWER" key before the time out, the setting time will be canceled and the unit will turn off.

### 8. SLEEP CONTROL FUNCTION

1) While in cooling mode, press the SLEEP key to set the temperature. It increases 1°C after an hour and at most increases 2°C after 2 hours.

2) Press the SLEEP key again can cancel the setting.

### 9. SWING

Press this key to swing the blades on air outlet, and it will stop when this key is pressed again.

When the water tank is full, "E4" will be displayed on the display panel. To resume operation, please remove the rubber cap of the drain hose to drain out the water firstly. The E4 warning will disappear after draining, and then you can restart the unit by pressing the POWER key.

### Maintenance

Clean the unit with a soft moist cloth. Do not use solvents or strong cleaners as this might damage the surface of the unit.

### Service

If the Air Conditioner requires servicing, you must first contact your local retailer.

Proof of purchase is required for all warranty claims.

### Storage instructions

#### End of Season Storage

- 1) Screw off the drain cover and pull out the stopper to drain condensate water completely.
- 2) Keep unit running in fan mode for half day to dry inside of unit completely to prevent from going moldy.
- 3) Turn off the unit, pull out plug then wrap the power cord around the wire-winding pillar, insert the plug into the universal fixing hole at the back panel of the unit, install the water stopper and drain cover.
- 4) Remove the heat exhaust hose assembly, clean and keep it properly.
- 5) Pack the air-conditioner properly with soft plastic bag and put it in dry place with appropriate dust-proof measures, and keep the unit away from children.
- 6) Take out the batteries from the remote control and keep it properly.

#### Note:

Assure the unit is stored in a dry place.

All accessories of the unit shall be protected together properly

Power cord holder and universal socket can well protect the power cord.

Intelligent, environmental-friendly and energy saving with self-evaporative cooling system.

24-hour Timer function, unique on/off reminding music.

3.5-minute delay re-starting protection to compressor and other multiple protection functions.

PROBLEM	CAUSE	REMEDY
Unit does not start when pressing on/off button	Water full indicator lamp blinks and water tank is full.	Dump the water out of the water tank.
	Room temperature is higher than the setting temperature (Electric heating mode)	Reset the temperature
	Room temperature is lower than the setting temperature. (Cooling mode)	Reset the temperature
Not cool enough	The doors or windows are not closed.	Make sure all the windows and doors are closed.
	There are heat sources inside the room.	Remove the heat sources if possible
	Exhaust air hose is not connected or blocked.	Connect or clean the exhaust air hose.
	Temperature setting is too high.	Reset the temperature
	Air inlet is blocked.	Clean the air inlet.
High noise level	The ground is not level or not flat enough	Place the unit on a flat, level ground if possible
	The sound comes from the flowing of the refrigerant inside the air conditioner	It is normal.
If you are having trouble with your dehumidifier, please refer to below trouble shooting. If nothing of the below works, please contact your retailer for servicing of your Air Conditioner.		

Error Codes	CAUSE	REMEDY
E1 Code	Electrical short on both temperature sensor and PCB	Contact an electrician for repair
E2 Code	Electrical short of temperature sensor copper tube and PCB wiring	Contact an electrician for repair
E4 Code	Indicates water tank full or bad contact with power plug	User needs to pull out the rubber stopper which is located at the bottom of the unit, to drain the water away. Or checking if the power plug is fit well

## Guarantees

2 years consumer warranty against production faults. Please note that the warranty is only valid upon the production of the receipt. The warranty is only valid if the product is used in accordance with the instructions and security warnings expressed in this manual. The warranty does not cover any damages caused by improper handling of the product.

**NOTE:** The 2 years warranty only applies for consumers and not for commercial use of the unit.



**NOTE!**

Register at [www.warranty-woods.com](http://www.warranty-woods.com) and read about how to get extended warranty. Please visit [www.woods.se](http://www.woods.se) for more information.

**Recommended limits for use**

The best operating ambient temperature for cooling is 17-35 °C.

Fuse Parameter: 5ET or SMT, 3.15A, 250Vac.

TECHNICAL DATA	Palermo 18K	Palermo 18K Duo A+	Palermo 22K
Cooling capacity	5,3KW	5,3KW	6,5KW
Heating capacity	--	5,0KW	-
Air flow:	950m <sup>3</sup> / h	950m <sup>3</sup> / h	950m <sup>3</sup> / h
Power consumption cooling/heating	2,030KW	1,7KW/1,65KW	2,500KW
Energy class	A	A+	A
Dehumidification	90 L / 24h	90 L / 24h	120 L / 24h
Temperature setting	17-30°C	17-30°C	17-30°C
Working temperature cooling/heating	16-35°C	16-35°C / heating7-23°C	16-35°C
EER cooling/heating	2,6	3,1/ 3,0	2,6
Refrigerant gas	R290/264g	R290/250g	R290/369g
Noise level in decibels	65dB	65dB	65dB
Weight	51 kg/60 kg	51,5 kg/60,5 kg	52 kg/61 kg
Dimensions in mm, L x Bx H	540x695x1140	540x695x1140	540x695x1140

\*Technical changes and improvements may occur. All values are approximate and may vary due to external circumstances such as temperature, ventilation, and humidity.



**Note: Environmental Protection and Disposal**

- Consumers are legally obligated to properly dispose of electronic devices, lamps, and batteries at the end of their lifespan.
- They can be returned free of charge at designated public collection points or through retailers.
- The deletion of personal data is the consumer's responsibility.
- Light bulbs and batteries that can be safely removed and are not permanently installed must be separated for separate disposal.
- The details of legally compliant disposal are governed by regional legislation.
- The symbol of a crossed-out waste bin indicates that electronic devices and batteries must never be disposed of in household waste after their lifespan.
- Symbols placed below the waste bin indicate the possible presence of certain substances (lead = Pb, mercury = Hg, cadmium = Cd).
- This separation is necessary because batteries and electronic devices contain both valuable resources and substances that are harmful to humans and the environment.
- By recycling, collecting, and reusing batteries and suitable electronic devices, you contribute to the preservation and protection of the environment and human health.

## WOOD'S FÖR REN OCH HÄLSOSAM INOMHUSLUFT

Varumärket Wood's grundades av familjen Wood för mer än 65 år sedan i den kanadensiska staden Guelph, Ontario. Det var då, på 1950-talet, som Wood's började utveckla och tillverka avfuktare. Sedan dess har Wood's hjälpt hundratusentals hushåll med att förhindra skador orsakade av mögel till följd av ånga, och att luften de andas är renare. Våra portabla luftkonditioneringsaggregat lämpar sig för användning i de flesta klimat, där kapaciteten är bra även när temperaturen och luftfuktigheten varierar. De används med gott resultat i lokaler som blir varma, såsom vardagsrum, kontor eller sovrum. Mängden varm luft som luftkonditioneringsaggregatet avlägsnar beror på temperaturen, luftfuktigheten och aggregatets placering. Yttre väderförhållanden kan också påverka luftkonditioneringsens prestanda.

Wood's luftkonditioneringar är säkra att använda och avsedda för kontinuerlig användning under många år.

## HUR FUNGERAR LUFTKONDITIONERINGSENHETEN?

Lågt tryck ger kall luft

Den viktigaste komponenten i ett luftkonditioneringsaggregat är köldmediet, som under lågt tryck omvandlas till gas. Processen "skapar kyla" som överförs inåt, medan den varma luften stängs ute.

Ett flytande köldmedium passerar genom expansionsventilen och in i ett rör där trycket är lågt.

Köldmediet förångas och förvandlas till gas. Processen absorberar värme från omgivningen och röret kyls.

En fläkt blåser den kalla luften in i rummet. Gasen leds genom en kompressor som ökar trycket och omvandlar gasen till vätska.

I den här processen frigörs värme, som leds i rör på motsatt sida och blåses ut av en fläkt.

En termostat stänger av enheten när inomhusluften är tillräckligt kall.

## 1. SÄKERHETSVARNINGAR



Brandfarligt material. Denna -apparat innehåller R290/propan, ett brandfarligt köldmedium.



Se denna bruksanvisning för säkerhetsinformation.



Läs den tekniska manualen



Läs bruksanvisningen.

## SÄKERHETSINFORMATION

Läs igenom de medföljande instruktionerna noggrant före installation och användning av apparaten. Tillverkaren tar inget ansvar för felaktig installation som orsakar personskador och materiella skador. Förvara alltid instruktionerna tillsammans med apparaten för framtida referens.

## Barn och utsatta personers säkerhet

### VARNING



Risk för personskada eller permanent invaliditet.

Denna apparat kan användas av barn från 8 år och uppåt och personer med nedsatt fysisk, sensorisk eller mental förmåga eller bristande erfarenhet och kunskap om de har fått tillsyn eller instruktioner om användning av apparaten på ett säkert sätt och förstå de faror som är inblandade.

Låt inte barn leka med apparaten.

Barn som är yngre än 3 år bör hållas borta om de inte övervakas kontinuerligt.

Förvara allt emballage utom räckhåll för barn.

Rengöring och underhåll får inte göras av barn utan uppsikt.

## Allmän säkerhet

Denna apparat är avsedd att användas i hushåll och liknande tillämpningar såsom: familjerum, vardagsrum, personalkök i butiker, kontor och andra arbetsmiljöer. Märkskylten är placerad på sidan eller baksidan av luftkonditioneringen.

Se till att ventilationsöppningarna inte är blockerade.

Använd inte mekaniska anordningar eller andra hjälpmedel för att påskynda avfrostningen än de som rekommenderas av tillverkaren.

Apparaten får inte förvaras i ett rum med antändningskällor som är aktiva (till exempel: öppen eld, gasdriven utrustning eller en elektrisk värmare. Får inte punkteras eller brännas.

Tänk på att köldmedier kan avge lukt. Använd inte vattenspray och ånga för att rengöra apparaten.

Rengör apparaten med en fuktig, mjuk trasa. Använd endast neutrala rengöringsmedel. Använd inte slipmedel, den slipande sidan på kökssvampar, lösningsmedel eller metallföremål.

Om nätsladden är skadad måste den bytas ut av tillverkaren, dess auktoriserade servicecenter eller liknande kvalificerade personer för

att undvika fara.

## SÄKERHETSFÖRESKRIFTER

### Installation VARNING



Endast kvalificerad person får installera denna produkt. Ta bort allt emballage. Installera inte eller använd apparaten om den är skadad. Apparaten ska installeras, användas och förvaras i ett rum med en golvyta som är större än 13 m<sup>2</sup>(AC Palermo 18K) /25 m<sup>2</sup>(AC Palermo 22K). Följ installationsanvisningarna som medföljer apparaten. Var alltid försiktig när du flyttar apparaten eftersom den är tung. Använd alltid skyddshandskar. Tänk på att köldmedier kan avge lukt. Se till att luften kan cirkulera runt apparaten. Vänta minst 4 timmar innan du ansluter apparaten till strömförsörjningen. Detta är för att oljan ska kunna rinna tillbaka in i kompressorn. Installera inte apparaten nära radiatorer eller andra värmekällor. Installera inte apparaten på en plats där den utsätts för direkt solljus.

### Anslutning till elnätet

#### VARNING

Risk för brand och elstötar. Apparaten måste anslutas till ett jordat uttag. Se till att den elektriska informationen på märkskylten överensstämmer med strömförsörjningen. Om inte, kontakta en elektriker. Använd alltid ett korrekt installerat,

stötsäkert uttag. Använd inte grenuttag och förlängningskablar. Se till att de elektriska komponenterna inte skadas (t.ex. stickkontakt, nätsladd). Kontakta det auktoriserade servicecentret eller en elektriker för att byta ut elektriska komponenter. Nätsladden måste vara placerad på en nivå som är under stickkontakten. Anslut stickkontakten till eluttaget först när installationen är klar. Se till att det är enkelt att komma åt stickkontakten efter installationen. Dra inte i sladden när du ska koppla från apparaten. Håll alltid i stickkontakten när du ska dra ut sladden. Denna enhet behöver minst 25 Ampere för kompressordriften. Undvik strömavbrott i hushållet genom att inte använda någon förlängningssladd för denna enhet.

### Använda

#### VARNING

Risk för brännskador, elstötar eller brand. Ändra inte specifikationen för denna apparat.

Var försiktig så att inte köldmediekretsen skadas. Kretsen innehåller propan (R290), som är en miljövänlig naturgas. Gasen är brandfarlig.

Om skador uppstår på köldmediekretsen, får det inte finnas någon öppen låga eller antändningskällor i rummet. Vädra ut gasen. Placera inte brandfarliga produkter

eller föremål som är våta med brandfarliga produkter nära apparaten. Denna enhet får användas vid en maxtemperatur på 35 grader Celsius. Rengör luftfiltret regelbundet för en så effektiv kylning som möjligt. När enheten stängs av ska du vänta minst 3,5 minuter innan du startar om den. Detta är för att förhindra skador på kompressorn. När enheten slås på drivs fläkten men kompressorn startar först efter att kylarmet har blinkat i tre minuter. Luftkonditioneringen får endast anslutas till strömförsörjning med systemimpedans på högst 0,219 Ω. Vid behov vänder du dig till elleverantören för information om systemimpedans.

### Bortskaffning

#### VARNING

Risk för personskadorna. Koppla bort apparaten från elnätet. Klipp av nätsladden och släng den. Köldmediekretsen i denna apparat är ozonvänlig. Kontakta din kommun för information om hur du kasserar apparaten korrekt. Det är viktigt att delen på kylaggregatet som är närmast värmeväxlaren inte skadas.

## FÖRBEREDA LUFTKONDITIONERINGEN FÖR INSTALLATION

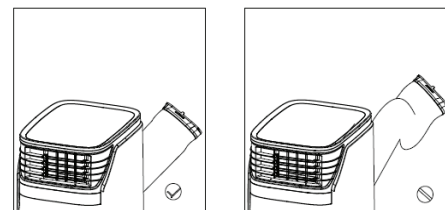
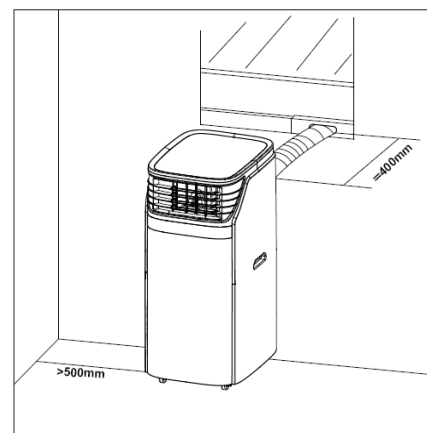
### Transport, märkning och förvaring av enheter

1. Transport av utrustning som innehåller brandfarliga köldmedier Efterlevnad av transportföreskrifterna
2. Märkning av utrustning med skyltar  
Efterlevnad av lokala bestämmelser
3. Bortskaffande av utrustning som innehåller brandfarliga köldmedier Efterlevnad av nationella föreskrifter
4. Lagring av utrustning/apparater  
Lagring av utrustning ska ske i enlighet med tillverkarens anvisningar.
5. Lagring av förpackad (osåld) utrustning  
Vid lagring ska emballaget skyddas så att mekaniska skador på utrustningen inuti förpackningen inte orsakar läckage av köldmediet. Maximalt antal enheter som får lagras på en plats fastställs av lokala bestämmelser.
6. Apparaten skall lagras så att mekaniska skador inte uppstår.
7. Allmänt arbetsområde All underhållspersonal och andra som arbetar i området ska informeras om typen av arbete som utförs. Arbete i trånga utrymmen ska undvikas. Området runt arbetsytan ska vara avgränsat. Tillse att förhållandena inom området är säkrade genom kontroll av brandfarligt material.

### 2. Installation

#### Viktigt

1. Denna luftkonditionering kan enkelt flyttas runt inomhus; se till att enheten hela tiden står upprätt när du flyttar den. Luftkonditioneringen ska placeras på en plan yta.  
Installera eller använd inte luftkonditioneringen i ett badrum eller andra våta miljöer.  
Eftersom en portabel luftkonditionering är på hjul, är det enkelt att flytta den. När värmen slås på flyttar du bara den portabla luftkonditioneringen till rummet och kan snabbt komma igång med att kyla utrymmet.  
Luftkonditioneringen måste användas i ett stängt utrymme för att vara så effektiv som möjligt.  
Stäng alla dörrar, fönster och andra öppningar till utsidan i rummet.  
Luftkonditioneringens effektivitet beror på temperaturen och fuktighetsnivån.
2. Placera luftkonditioneringen på en plats där luftflödet genom enhetens framsida inte begränsas.
3. Ett luftkonditioneringssystem som används i ett rum har liten eller ingen effekt när det gäller att torka ett angränsande stängt utrymme, t.ex. en garderob, om det inte finns tillräcklig luftcirkulation in i och ut från det aktuella utrymmet. Ett portabelt luftkonditioneringssystem leder ut värmen från enheten med hjälp av en ventilationssläng som drags ut genom ett fönster eller en frånluftsventil.
4. Frånluftsslängen får inte förlängas till mer än 400 mm. Frånluftsslängen måste vara parallell och får inte böjas uppåt eller nedåt.
5. Avståndet mellan luftkonditioneringen och närmaste föremål ska vara minst 50 cm. Se bilden för referens.
6. När denna apparat startar avfrostning visas "DF" på LED-displayen



## PRODUKTBESKRIVNING

### 3. Produktbeskrivning

#### A

1. Frånluftssläng
2. Fönsterkoppling (tillbehör ingår ej)
3. Fönstersats
4. Plugg
5. Batterier
6. Fjärrkontroll
7. Anslutning för kallluftsutblås (tillval)

#### B

1. Produktbilder

#### C

1. Luftutlopp kallluft
2. Kontrollpanelen
3. Rund adapter(ände)
4. Frånluftssläng
5. Handtag på höger sida
6. Luftutlopp varmluft
7. Avtappningshåll ovansida
8. Galler för kyluftsinlopp
9. Handtag på vänster sida
10. Galler för varmluftsinlopp
11. Avtappningshåll undersida

#### D

1. Bilder av produktens baksida

#### E

1. Bild produkten sedd ovanifrån

#### F

1. STRÖMKNAPP
2. FUNKTION
3. TEMPERATURREGLERING (UPP)
4. TEMPERATURREGLERING (NED)
5. LED- DISPLAY
6. HASTIGHET
7. PROGRAMMERBAR TIMER
8. SLEEP-FUNKTION
9. PENDLING

#### G

1. Bild av filterborttagningen

#### H

1. Schematiskt diagram över rengöring av filterskärm

#### I

1. STRÖMKNAPP—På/av-brytare
2. FUNK—Funktioner, väljare för "LÄGE"
3. TIMER—Timprogrammering
4. AUTO—Automatisk fläkthastighet
5. HÖG—Hög fläkthastighet
6. MED—Medelhög fläkthastighet
7. LÅG—Låg fläkthastighet
8. SLEEP—Väljare för nattläge
9. TEMP.—Väljare för temperatur
10. PENDLA—Pendla

#### J

1. Batteribyte för fjärrkontroll. Använd endast 2 st AAA 1,5-voltsbatterier

#### K

1. Vrid frånluftsslängen i slangkopplingen.

#### L

1. Introduktion till installation av frånluftssläng

#### M

1. Installation av fönstersats

#### N

1. Sätt i plugg för fönstersatsen

#### O

1. Bild av vattenutlopp

## FUNKTIONER I DE OLIKA DRIFTLÄGENA OCH INSTALLATIONS BESKRIVNINGAR

### A. Tillbehör

Efter att du har packat upp produkten kontrollerar du att ovannämnda tillbehör ingår. Kontrollera därefter deras funktion i installationsintroduktionen i denna manual. Anslutningen för kallluftsutblås är ett tillval.

### B. Mobil luftkonditionering

### J. Fjärrkontrollens utseende och funktion.

OBS! - Undvik att tappa fjärrkontrollen i marken.-  
Placera inte fjärrkontrollen på en plats där den utsätts för direkt solljus.

### M. Introduktion Använda

Utför momenten i detta avsnitt innan du använder luftkonditioneringen:

- 1) Välj en plats nära ett eluttag.
- 2) Installera frånluftsslagen och justera fönsterläget noggrant.
- 3) Se till att ansluta dräneringsslangen ordentligt (endast på modell med uppvärmningsfunktion).
- 4) Sätt i stickkontakten i ett jordat eluttag, AC220~240V/50Hz. 5) Slå på strömbrytaren (POWER) för att starta luftkonditioneringen.

### K&L. Introduktion till installation av frånluftsslang

#### A) Tillfällig installation

1. Vrid frånluftsslagen i slangkopplingen och utloppet baktill på luftkonditioneringen
2. Dra den andra änden av frånluftsslagen till en position nära fönsterbrädan.

#### N. Installation av fönstersats

Fönstersatsen installeras oftast i något av lägena "horisontell" eller "vertikal". Som visat i Fig. 5 och Fig. 5a ska fönstrets mått kontrolleras före installation.

1. Installera fönstersatsen på fönstret.
2. Justera längden på fönsterreglagesatsen enligt fönstrets bredd eller höjd och fixera med pluggen;
3. Dra fönsterkopplingslangen genom hålet i fönstersatsen.

#### O. Larm Vattenbehållare full Funktion

Den inre vattenbehållaren i luftkonditioneringen har en nivåvakt som styr vattennivån. När vattennivån når en förväntad nivå tänds indikatorlampan Vattenbehållare full. (När vattenbehållaren är full avlägsnar du gummiblockeringen på botten av enheten så att vattnet tappas av.)

#### H. Förklaringar till underhåll:

*Det är mycket viktigt att filtret rengörs regelbundet; om inte kan luftkonditioneringens kapacitet försämrans och den kan till och med ta allvarlig skada.*

- 1) Före rengöring, koppla bort enheten från strömförsörjningen.
- 2) Använd inte bensin eller andra kemikalier för att rengöra enheten.
- 3) Tvätta inte direkt på enheten.
- 4) Om luftkonditioneringen skadas kontaktar du återförsäljaren eller verkstaden.

#### 1. Luftfiltret

- För att förhindra att luftfiltret sätts igen av damm/smuts bör det rengöras varannan vecka.

- Demontering

Öppna luftinloppsgallret och ta bort luftfiltret.

- Rengöring

Rengör filtret med ett neutralt rengöringsmedel och ljummet vatten (40 °C) och låt lufttorka i skuggan.

- Montering

Sätt i luftfiltret i inloppsgallret och byt ut komponenterna som de var.

#### 2. Rengör luftkonditioneringen

Rengör först ytan med ett neutralt rengöringsmedel och en våt trasa. Eftertorka med en torr trasa.

#### E. Före användning

Kontrollera att frånluftsslagen har monterats korrekt.

Försiktighetsåtgärder för kylning och

avfuktning:

- När du använder funktioner för kylning och avfuktning, håll ett intervall på minst 3 minuter mellan varje STRÖMFÖRSÖRJNING.
- Strömförsörjningen uppfyller kraven.
- Uttaget är ett växelströmsuttag.
- Dela inte uttag med andra apparater.
- Strömförsörjningen ska vara AC220-240V, 50Hz

När den är urkopplad: Inga knappar eller indikatorlampor syns.

När den är inkopplad: Indikatorlampan för strömförsörjnings- och timerknapp är till hälften på för drift.

#### 1. STRÖMKNAPP

Tryck för att slå på eller av enheten.

#### 2. FUNKTION

Tryck på denna knapp för att välja kyla, avfuktning eller fläkt.

#### 3. TEMPERATURREGLERING (UPP)

Under kylning: Denna knapp höjer den förinställda temperaturen med 1 °C varje gång den trycks in och maxgränsen är 30 °C. Under timerfunktion: Ökar tiden, denna knapp ökar tiden med 1 timme varje gång den trycks in och förlänger cykeln.

#### 4. TEMPERATURREGLERING (NED)

Under kylning: Denna knapp sänker den förinställda temperaturen med 1 °C varje gång den trycks in och maxgränsen är 17 °C. Om du trycker på (ned) knappen höjs den förinställda temperaturen med 1 °C varje gång den trycks in, med maxgränsen inställd på 30°C. Dessutom sänker den här knappen den förinställda temperaturen med 1°C varje gång den trycks in, och minsta inställda värdet är 17°C. Under timerfunktion: Minskar tiden. Denna knapp minskar tiden med 1 timme varje gång den trycks in och förkortar cykeln.

#### 5. LED- DISPLAY

Displayen visar aktuell inställningstem-

## FUNKTIONER I DE OLIKA DRIFTLÄGENA OCH INSTALLATIONS BESKRIVNINGAR

peratur eller timerinställning. När den inställda temperaturen eller timern justeras visas den nya inställningen när displayen återgår till aktuellt inställd temperatur. ✕ Displayen används också för att visa felkoder om ett fel skulle uppstå, se FELKODER.

### 6. HASTIGHET (Speed)

Kylning: Tryck på för att välja fläkthastighet LÅG, MEDEL, HÖG eller AUTO.

Om "AUTO" väljs, ställs "HÖG", "MEDEL" eller "LÅG" in automatiskt beroende på skillnaden mellan inställningstemperatur och omgivningstemperatur.

Omgivningstemperatur-Inställd temperatur > 4°C : Maskinen är inställd på hög fläkthastighet.

2 °C ≤ Omgivningstemperatur-Inställd temperatur ≤ 4 °C: Maskinen är inställd på medelhög fläkthastighet.

0 °C ≤ Omgivningstemperatur-Inställd temperatur ≤ 2 °C: Maskinen är inställd på låg fläkthastighet.

Fläkt: Tryck på för att välja fläkthastighet LÅG, MEDEL, HÖG eller AUTO. \*Observera att automatisk fläkthastighet endast kan ställas in i uppvärmningsläge (endast Duo) eller kylningsläge.

Obs! Vid avfuktning kan denna inte användas eftersom enheten låg hastighet vid avfuktning.

### 7. PROGRAMMERBAR TIMER

På/av-knapp för programmerbar timer.

TIMER PÅ: Timer-på används för att slå på enheten automatiskt när den inställda tiden har gått.

- 1) Tryck på "TIMER"-knappen i stand by-läge för att ställa in önskad tid.
- 2) När den inställda tiden är slut startar enheten automatiskt.
- 3) Tryck på "STRÖMKNAPPEN" innan tiden är slut. Den inställda tiden raderas och enheten startar.
- 4) Du kan ställa in funktion och fläkthastighet samtidigt som du ställer in timern.

TIMER AV: Timer-av används för att stänga av enheten automatiskt när den inställda tiden har gått.

- 1) Tryck på "TIMER"-knappen i driftläge för att ställa in önskad tid.
- 2) När den inställda tiden är slut stoppar enheten automatiskt.
- 3) Tryck på "STRÖMKNAPPEN" innan tiden är slut. Den inställda tiden raderas och enheten stoppar.

### 8. SLEEP-FUNKTION

1) I kyläge trycker du på SLEEP-knappen för att ställa in temperaturen. Den ökar 1 °C efter en timme och ökar som mest 2 °C efter 2 timmar.

2) Tryck på SLEEP-knappen igen för att avbryta inställningen.

### 9. PENDLA

Tryck på denna knapp för att pendla bladen i luftutloppet. Pendlingen stannar när du trycker på knappen igen.

### 10. LARM

När vattentanken är full visas "E4" på displaypanelen. Återuppta driften genom att ta bort gummilocket på dräneringsslangen och tappa av vattnet först. E4-varningen försvinner efter tömning. Därefter kan du starta om enheten genom att trycka på STRÖMKNAPPEN.

### Underhåll

Rengör enheten med en fuktig, mjuk trasa. Använd inte lösningsmedel eller starka rengöringsmedel eftersom det kan skada ytan på enheten.

### Service

Om luftkonditioneringen behöver servas, måste du först kontakta din lokala återförsäljare.

Kvitto måste uppvisas för alla garantianspråk.

### Förvaringsanvisningar

#### Förvaring efter säsongen

- 1) Skruva av dräneringslocket och dra ut proppen för att tömma ut kondensvattnet.
  - 2) Låt enheten vara påslagen i fläktläget en halv dag så att den torkar helt på insidan, detta för att förhindra mögeltillväxt.
  - 3) Stäng av enheten, dra ut kontakten och linda nätsladden runt sladdupprullningspelaren, sätt i kontakten i universalfästet på enhetens baksida, installera vattenproppen och dräneringslocket.
  - 4) Ta bort frånluftsslangen, rengör och förvara den korrekt.
  - 5) Emballera luftkonditioneringsaggregatet noggrant med en mjuk plastpåse och ställ den på en torr plats och vidta lämpliga åtgärder för att skydda den mot damm. Se också till att enheten är utom räckhåll för barn.
  - 6) Ta ut batterierna från fjärrkontrollen och förvara dem på lämpligt sätt.
- OBS!

Det är viktigt att enheten förvaras på en torr plats.

Alla tillbehör till enheten ska förvaras tillsammans och skyddas ordentligt. Nätsladdshållaren och universaluttaget ger ett bra skydd av nätsladden. Intelligent, miljövänlig och energibesparande med självaporativa kylsystem.

24-timmars timerfunktion, unik på/av som påminner om musik.

3,5 minuters fördröjning vid omstart för att skydda kompressorn och flera andra skyddsfunktioner.

PROBLEM	ORSAK	ÅTGÄRD
Enheten startar inte vid tryck på av/på-knappen	Indikatorlampan för Vattenbehållare full blinkar och vattenbehållaren är full.	Töm ut vattnet i vattenbehållaren.
	Rumstemperaturen är högre än den inställda temperaturen (elektriskt uppvärmningsläge)	Återställ temperaturen
	Rumstemperaturen är lägre än den inställda temperaturen. (Kylläge)	Återställ temperaturen
Inte tillräckligt svalt	Dörrarna eller fönstren är inte stängda.	Se till att alla fönster och dörrar är stängda.
	Det finns värmekällor i rummet.	Flytta om möjligt värmekällorna
	Frånluftsslangen är inte ansluten eller blockerad.	Anslut eller rengör frånluftsslangen.
	Den inställda temperaturen är för hög.	Återställ temperaturen
	Luftinloppet är blockerat.	Rengör luftinloppet.
Hög ljudnivå	Underlaget är inte jämnt eller tillräckligt plant	Placera om möjligt enheten på plant underlag
	Ljudet kommer från köldmediecirkulationen inuti luftväxlar	Detta är normalt.
Om du har problem med din avfuktare, se felsökningen nedan. Om inget av nedanstående fungerar, kontakta din återförsäljare för att få din luftkonditionering servad.		

Felkoder	ORSAK	ÅTGÄRD
E1-kod	Kortslutning för både temperaturgivare och PCB	Kontakta en elektriker för reparation
E2-kod	Kortslutning för temperaturgivarens kopparrör och PCB-ledning	Kontakta en elektriker för reparation
E4-kod	Indikerar vattentank full eller dålig kontakt med stickkontakt	Användaren måste dra ut gummiproppen på botten av enheten för att tappa av vattnet. Eller kontrollera om stickkontakten sitter rätt.

## Garantier

2 års konsumentgaranti mot produktionsfel. Observera att garantin endast gäller mot uppvisande av kvittot. Garantin gäller endast om produkten används i enlighet med instruktionerna och säkerhetsvarningarna i denna manual. Garantin täcker inte skador orsakade av felaktigt handhavande av produkten.

**OBS!** Den 2-åriga garantin gäller endast för konsumenter och inte för kommersiell användning av enheten.



### OBS!

Registrera dig på [www.warranty-woods.com](http://www.warranty-woods.com) och läs om hur du får utökad garanti. Gå in på [www.woods.se](http://www.woods.se) för mer information.

### Rekommenderade gränsvärden för användning

Den bästa omgivningstemperaturen för kylning är 17–35 °C.

Säkringsparameter: 5ET eller SMT, 3,15 A, 250 VAC.

TEKNISKA DATA	Palermo 18K	Palermo 18K Duo A+	Palermo 22K
Kylkapacitet	5,3 kW	5,3KW	6,5 kW
Värmekapacitet		5,0KW	
Strömförbrukning kyla/värme	2,030 kW	1,7KW/1,65 KW	2,500 kW
Luftflöde:	950 m <sup>3</sup> /h	950m <sup>3</sup> / h	950 m <sup>3</sup> /h
Energi klass	A	A+	A
Avfuktning	90 l/24 h	90 L / 24h	120 l/24 h
Temperaturinställning	17–30 °C	17-30°C	17–30 °C
Arbetstemperatur kyla/värme	16–35 °C	16-35°C /heating7-23°C	16–35 °C
EER kyla/värme	2,6	3,1/ 3,0	2,6
Köldmediegas	R290/264g	R290/250g	R290/369g
Ljudnivå i decibel	65dB	65dB	65dB
Vikt	51 kg/60 kg	51,5 kg/60,5 kg	52 kg/61 kg
Mått i mm, L x B x H	540 x 695 x 1 140	540x695x1140	540 x 695 x 1 140

\*Tekniska ändringar och förbättringar kan förekomma. Alla värden är ungefärliga och kan variera beroende på yttre omständigheter såsom temperatur, ventilation och luftfuktighet.



### Hänvisning: miljöskydd och bortskaffning

- Konsumenten är enligt lagen skyldig att bortska elektroniska apparater, lampor och batterier korrekt när resp. produkt har tjänat ut.
- De kan lämnas in kostnadsfritt till allmänna återvinningscentraler eller till återförsäljare.
- Det åligger konsumenten att själv radera personuppgifter.
- Ljuskällor och batterier, som kan avlägsnas utan fara och inte är stationärt monterade, måste tas ur i förväg och bortska separat.
- Nationell lagstiftning reglerar hur bortska ska ske korrekt.
- Märkningen med den överstrukna soptunnan betyder att elapparater och batterier aldrig någonsin får kastas i hushållssoporna.
- Symbolerna under soptunnan kännetecknar ev. ämnen som kan ingå (bly = Pb, kvicksilver = Hg, kadmium = Cd).
- Denna sortering är nödvändig, eftersom batterier och elapparater innehåller både värdefulla resurser och ämnen som är farliga för människor och miljö.
- Genom källsortering, insamling och återanvändning av härför lämpliga batterier och elapparater bidrar du till att upprätthålla skyddet för miljön och människors hälsa.

## WOOD'S FOR REN OG SUNN INNELUFT

Varemerket Wood's ble skapt av familien Wood's for mer enn 65 år siden, i den kanadiske byen Guelph i Ontario. Det var der Wood's begynte å utvikle og produsere avfuktere i 1950. Siden den tid har Wood's hjulpet flere hundre tusen husholdninger med å forebygge skader som skyldes mugg og fukt, og med å gi dem renere luft. Våre bærbare klimaanlegg er egnet for bruk i de fleste klimaer og har god kapasitet også ved forskjellige temperatur- og fuktighetsnivåer. De brukes med gode resultater på steder der det blir varmt, som i oppholdsrom, kontorer eller soverom. Mengden varm luft som klimaanlegget fjerner, avhenger av temperatur, fuktighetsnivå og plassering. Eksterne værforhold kan også påvirke klimaanleggets ytelse.

Wood's klimaanlegg er trygge å bruke og ment til kontinuerlig bruk i mange år.

### HVORDAN FUNGERER KLIMAANLEGGET?

Lavt trykk gir kald luft

Hovedelementet i klimaanlegget er et kjølemiddel, som omdannes til gass ved lavt trykk. Prosessen «skaper kulde», som overføres innover, samtidig som den varme luften holdes ute.

Et flytende kjølemiddel føres gjennom en ekspansjonsventil og inn i et rør der trykket er lavt.

Kjølemiddelet fordamper og blir til gass. Prosessen absorberer varme fra omgivelsene, og røret avkjøles.

En vifte blåser den kalde luften ut i rommet.

Gassen føres gjennom en kompressor, som øker trykket og omdanner gassen til væske.

I denne prosessen frigjøres varme, som føres til rør på motsatt side og blåses ut av en vifte.

En termostat slår av enheten når inneluften er tilstrekkelig kald.

## 1. SIKKERHETSADVARSLER



Brennbart materiale.

Denne enheten inneholder R290/propan, et brennbart kuldemedium.



Denne håndboken inneholder sikkerhetsinformasjon.



Les den tekniske håndboken



Les bruksanvisningen.

### SIKKERHETSINFORMASJON

Les de vedlagte anvisningene nøye før enheten installeres og tas i bruk. Fabrikanten er ikke ansvarlig dersom feilaktig installering og bruk forårsaker skade på personer eller eiendom. Oppbevar alltid bruksanvisningen sammen med enheten til fremtidig bruk.

### Sikkerheten til barn og sårbare mennesker

#### ADVARSEL

Fare for personskade eller varig uferhet.

Denne enheten kan brukes av barn fra 8 år og oppover, samt av personer med nedsatte fysiske, sensoriske eller mentale evner eller manglende erfaring og kunnskap, så fremt de har tilsyn eller har fått innføring i hvordan enheten brukes på en trygg og sikker måte, samt at de er klar over de farer bruken medfører.

Ikke la barn leke med enheten.

Barn under 3 år bør holdes unna enheten hvis de ikke har konstant tilsyn.

Oppbevar alt emballasjemateriale utilgjengelig for barn.

Rengjøring og vedlikehold skal ikke utføres av barn uten tilsyn.

### Generelt om sikkerhet

Denne enheten er beregnet for bruk i private hjem og lignende, for eksempel: Stuer og andre oppholdsrom, pauserom i butikker, kontorer og andre arbeidsmiljøer. Merkeplaten er plassert på siden eller baksiden av klimaanlegget. Sørg for at ventilasjonsåpningene ikke er tildekket.

Ikke bruk mekanisk utstyr eller annet for å fremskynde avrimingsprosessen. Følg fabrikantens anvisninger. Enheten skal ikke oppbevares i et rom der det finnes antennelseskilder (for eksempel åpen ild, gassdrevet utstyr i drift eller elektrisk varmeovn). Må ikke punkteres eller brennes.

Vær oppmerksom på at kuldemedier kan være helt uten lukt. Ikke rengjør enheten med vandusj og damp.

Rengjør enheten med en fuktet myk klut. Bruk kun nøytrale rengjøringsmidler. Ikke bruk produkter som inneholder slipemiddel, skuresvamper, løsemidler eller metallgjenstander.

Hvis strømledningen skades, må den skiftes ut av fabrikanten, dennes autoriserte servicesenter

eller tilsvarende kvalifiserte personer for å unngå fare.

## SIKKERHETSANVISNINGER

### Installasjon ADVARSEL



Denne enheten må kun installeres av en kvalifisert person.

Fjern all emballasje.

Ikke installer eller bruk en skadet enhet. Enheten skal installeres, brukes og oppbevares i et rom med en gulvflate større enn 13 m<sup>2</sup> (AC Palermo 18K) / 25 m<sup>2</sup> (AC Palermo 22K). Følg installeringsanvisningen som følger med enheten.

Vær alltid forsiktig når du flytter enheten – den er tung! Bruk alltid vernehansker. Vær oppmerksom på at kuldemedier kan være helt uten lukt.

Påse at luften kan sirkulere rundt enheten.

Vent i minst 4 timer før enheten tilkoples strømmettet. Dette er for at oljen skal kunne renne tilbake i kompressoren.

Ikke installer enheten nær radiatorer eller andre varmekilder. Ikke installer enheten slik at den blir stående i direkte sollys.

### Strømtilkøpling

#### ADVARSEL



Brann- og støtfare.

Enheten må kobles til en jordet stikkontakt.

Påse at den elektriske informasjonen på merkeplaten samsvarer med strømtilførselen. Hvis ikke må du kontakte elektriker.

Bruk alltid korrekt montert stikkontakt.

Ikke bruk grenuttak og skjøteledninger.

Pass på at de elektriske komponentene (f.eks. støpsele, strømledning) ikke skades.

Kontakt autorisert servicesenter eller elektriker for å få skiftet de elektriske komponentene.

Strømledningen må ligge lavere enn støpselet.

Ikke plugg støpselet i stikkontakten før installeringen er fullført.

Påse at støpselet er tilgjengelig når installeringen er fullført.

Ikke dra i ledningen for å trekke ut støpselet. Hold alltid i støpselet.

Denne enheten krever minst 25 ampere for å ha kompressoren i drift. Ikke bruk skjøteledning for denne enheten, det kan føre til strømbrudd i boligen.

### Bruk

#### ADVARSEL



Fare for personskade, brannskade, elektrisk støt eller brann.

Enhetens spesifikasjoner må ikke endres.

Pass på at kjølekretsen ikke blir skadd. Den inneholder propan (R290), en naturgass med god miljøkompatibilitet. Denne gassen er antennbar.

Hvis det oppstår skade på kjølekretsen, må man påse at det ikke er flammer og antennelseskilder i rommet. Luft ut rommet.

Ikke legg brennbare produkter eller gjenstander våte av lett antenkelige produkter nær eller på

enheten.

Enheten kan brukes ved omgivelsestemperaturer på 35°C eller lavere.

Rengjør luftfilteret regelmessig for optimal utnyttelse av kjølefunksjonen. Når enheten er avslått, bør du vente minst 3,5 minutter før du starter den opp igjen, for å unngå skade på kompressoren. Når du slår på enheten, vil viften settes i gang umiddelbart, men selve kompressoren vil starte etter at varselslampe for kjølefunksjon har blinket i 3 minutter. Klimaanlegget kan kun kobles til et anlegg med kortslutningsimpedans på 0,219Ω eller lavere. Ved behov kan du kontakte strømleverandøren din for mer informasjon om kortslutningsimpedans.

### Avfallshåndtering

#### ADVARSEL



Fare for personskade.

Koble enheten fra strømmettet. Klipp av strømledningen og kast den.

Denne enhetens kjølemediumkrets er miljøvennlig. Ta kontakt med den lokale gjenvinningsstasjonen for å få informasjon om korrekt kassering av enheten. Ikke skad den delen av kjøleenheten som er nærmest varmeveksleren.

## KLARGJØR KLIMAAANLEGGET FOR INSTALLASJON

### Transport, merking og oppbevaring av enheter

1. Transport av utstyr som inneholder brannfarlige kjølegasser. I samsvar med transportforskriftene
2. Merking av utstyr ved hjelp av skilt I samsvar med lokale forskrifter
3. Avhending av utstyr som bruker brennbare kjølemedier Overholdelse av nasjonale forskrifter
4. Lagring av utstyr/apparater Lagring av utstyr skal skje i henhold til produsentens anvisninger
5. Lagring av pakket utstyr (selges ikke) Beskyttende emballasje for lagring må sørges for slik at mekanisk skade på utstyret på innsiden ikke fører til lekkasje av kjølemediefyllingen. Det maksimale antallet enheter som kan lagres sammen, bestemmes av lokale forskrifter
6. Apparatet må lagres på en slik måte at mekaniske skader unngås
7. Generelt arbeidsområde Alt vedlikeholdspersonell og de som arbeider i nærheten må informeres om hva slags arbeid som skal utføres. Arbeid i trange rom må unngås. Området rundt arbeidsplassen skal være avgrenset. Kontroller at arbeidsforholdene i området er sikret med hensyn til brennbare materialer.

## 2. Installasjon

### Viktig

1. Dette klimaanlegget kan flyttes rundt innendørs etter behov; hold enheten

oppreist når den flyttes. Klimaanlegget skal stå på et flatt underlag. Dette klimaanlegget må ikke installeres eller brukes i badrom eller andre våtrom. Ettersom et bærbart klimaanlegg går på hjul, er det enkelt å flytte. Når varmen setter inn, kan du bare flytte det bærbare klimaanlegget inn i rommet og raskt komme i gang med avkjølingen. Klimaanlegget må brukes i et lukket rom for å være mest effektivt. Lukk alle dører, vinduer og andre åpninger ut fra rommet. Klimaanleggets effektivitet avhenger av temperaturen og luftfuktigheten.

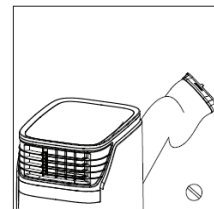
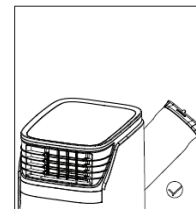
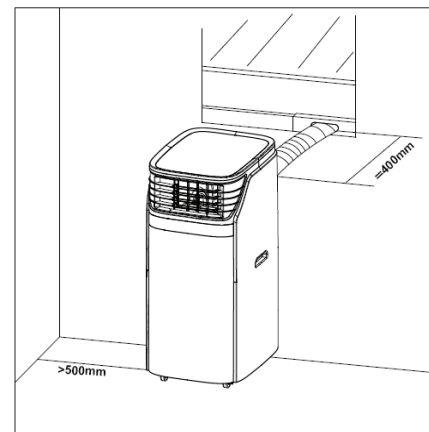
2. Plasser klimaanlegget på et sted der luftstrømmen fra fronten av enheten ikke hindres.

3. Et klimaanlegg som kjøres i et rom, vil ha liten eller ingen virkning når det gjelder å tørke et tilstøtende lukket rom, f.eks. et skap, med mindre det er tilstrekkelig luftsirkulasjon inn og ut av det aktuelle rommet. Et bærbart klimaanlegg slipper ut varmen fra enheten via en ventilasjonsslange gjennom et vindu eller en luftventil.

4. Déployez le tuyau d'extraction jusqu'à une longueur de 400 mm maximum. Le tuyau d'extraction doit rester droit et n'être ni plié vers le haut ou le bas.

5. Det bør være en avstand på minst 50 cm mellom klimaanlegget og nærmeste gjenstand. Se referansebildet.

6. Lorsque cet appareil commence à dégivrer, le mot "DF" est indiqué sur l'affichage à LED



## PRODUKTBEKRIVELSE

### 3. Produktbeskrivelse

#### A

1. Eksosslange
2. Vindustilkobling
3. Vindussett
4. Tapp
5. Batterier
6. Fjernkontroll
7. Tilkobling for utløp for kald luft (valgfritt)

#### B

1. Produktbilder

#### C

1. Uttak for kaldluft
2. Betjeningspanel
3. Rund tilkobling (endestykke)
4. Utløpsslange
5. Håndtak på høyre side
6. Uttak for varmluft
7. Øvre dreneringshull
8. Grill for kaldluftinntak
9. Håndtak på venstre side
10. Grill for varmluftinntak
11. Nedre dreneringshull

#### D

1. Bilder av baksiden av produktet

#### E

1. Bilde av toppen av produktet

#### F

1. AV/PÅ-TAST
2. FUNKSJON
3. TEMPERATURREGULERINGSTAST (OPP)
4. TEMPERATURREGULERINGSTAST (NED)
5. L.E.D. DISPLAY
6. HASTIGHET
7. PROGRAMMERBAR TIMER
8. HVILEMODUSKONTROLL
9. SWING

#### G

1. Bilde av fjerning av luftskjerm

#### H

1. Diagram for rengjøring av filter

#### I

1. POWER—Strøm på/av-bryter
2. FUNC—Velger "MODE (MODUS)"
3. TIMER—Timeprogrammering
4. AUTO—Automatisk viftehastighet
5. HI—Høy viftehastighet
6. MID—Medium viftehastighet
7. LOW—Lav viftehastighet
8. SLEEP—Hvile/natt-modusvalg
9. TEMP.—Temperaturvalg
10. SWING—Bevegning av blader

#### J

1. Installation batterier av fjærrkon-troll. Bruk bare 2 x AAA 1,5 V batterier

#### K

1. Vri utløpsslengen inn i tilkoblingen.

#### L

1. Informasjon om montering av eksosslange

#### M

1. Installere vindusglidersett

#### N

1. Sett inn åpning for vindussett

#### O

1. Bilde av vannutløp

## BESKRIVELSER AV DRIFTSMODUSER OG INSTALLASJON

### A. Tilbehør

Etter utpakking, sjekk om ovennevnte tilbehør er inkludert, og sjekk deres bruksformål i installasjonsinnledningen i denne håndboken. Tilkoblingen for utløp for kald luft er valgfri.

### B. Mobilt klimaanlegg

J. Fjernkontrollens utseende og funksjon. Merknader: - Ikke slipp fjernkontrollen ned. - Ikke plasser fjernkontrollen på et sted utsatt for direkte sollys.

### M. Introduksjon til drift

Før du setter operasjoner i dette avsnittet i gang:

- 1) Finn et sted der det er strømforsyning i nærheten.
- 2) Installer utløpsslengen, og juster vindusposisjonen godt.
- 3) Koble avløpsslengen godt til (kun for bruk av oppvarmingsmodell);
- 4) Sett strømledningen inn i en jordet AC220 ~ 240 V/50 Hz-kontakt;
- 5) Trykk på på-knappen for å slå på klimaanlegget.

### K&L. Introduksjon til installasjon av utløpsslange

#### A) Midlertidig installasjon

1. Vri utløpsslengen inn i tilkoblingen og uttaket på baksiden av klimaanlegget.
2. Plasser den andre enden av utløpsslengen i nærheten av vinduskarmen.

### N. Montering av vinduskyvebrytersett

Installasjonsmåten for vinduskyvebrytersett er for det meste i "horisontal" og "vertikal". Som vist på figur 5 og figur 5a, så sjekk min.- og maks.-størrelsen på vinduet før installasjonen.

1. Installer vindussettet på vinduet;
2. Juster lengden på vinduskyvebrytersettet i henhold til vinduets bredde eller høyde, og fest det med pluggen;
3. Sett inn vinduskonnektorslangen i hullet i vindussettet.

O. Intern alarmfunksjon for fullt tankvann  
Klimaanleggets indre vanntank har en

sikkerhetsbryter for vannstand; den styrer vannstanden. Når vannstanden når en forventet høyde, tennes indikatorlampen for fullt vann (når det er fullt av vann, så vær så snill og Fjern gummiblokkeringen i bunnen av enheten, og alt vann vil bli drenert utenfor.)

H. Erklæring om vedlikeholdsforklaringer:

***Det er veldig viktig at filteret rengjøres regelmessig; ellers vil klimaanlegget kunne miste kapasitet og til og med bli alvorlig skadet.***

- 1) Sørg for å koble enheten fra strømuttaket før rengjøring;
- 2) Ikke bruk bensin eller andre kjemikalier til å rengjøre enheten;
- 3) Ikke vask enheten direkte;
- 4) Dersom klimaanlegget er skadet, så vennligst kontakt forhandleren eller verkstedet;

#### 1. Luftfilter

- Hvis luftfilteret blir tilstoppet med støv/smuss, bør luftfilteret gjøres rent annenhver uke.
- Demontering  
Åpne luftinntaksristen og ta av luftfilteret.
- Rengjøring  
Rengjør luftfilteret med nøytralt vaskemiddel i lunkent (40 °C) vann og tørk det mens det står i skyggen.
- Montering  
Sett luftfilteret inn i luftinntaksristen, og bytt ut komponentene slik de var.

#### 2. Gjør rent klimaanleggets overflate:

Gjør først overflaten ren med et nøytralt vaskemiddel og en våt klut, og tørk av den med en tørr klut.

#### E. Før bruk

Sjekk hvorvidt eksosslangen er montert riktig. Forsiktighetsregler for kjøling og avfukting: - Når du bruker funksjoner for kjøling og avfukting, må du overholde et intervall på minst 3 minutter mellom hver EFFEKT.

- Strømforsyning oppfyller kravene.
- Stikkkontakten er beregnet på vekselstrøm.
- Ikke del en stikkontakt med andre apparater.
- Strømforsyningen er AC 220-240 V, 50 Hz

Når enheten ikke er koblet til strøm: Ingen taster eller indikatorlys er synlige. Når enheten er koblet til strøm: Indikatorlyset for strøm-tasten og timer-tasten er halvt på for drift.

#### 1. POWER-TAST

Trykk for å slå enheten "ON" eller "OFF" (AV eller PÅ)

#### 2. FUNCTION

Trykk på denne tasten for å velge kjøling, avfukting eller vifte.

#### 3. TEMPERATURE REGULATION KEY (UP)

Ved kjølefunksjon: Denne tasten øker forhåndsinnstilt temperatur med 1°C hver gang den trykkes ned, til maksimum 30°C. Under oppvarmingsfunksjonen (kun Duo) øker denne knappen den forhåndsinnstilte temperaturen med 1 °C hver gang du trykker på den, med en maksimumsgrense på 30 °C. Ved timer-funksjon: Forlengelse av tidsinnstilling på timer. Denne tasten øker forhåndsinnstilt tid med 1 time hver gang den trykkes ned og forlenger syklusen.

#### 4. TEMPERATURE REGULATION KEY (DOWN)

Ved kjølefunksjon: Denne tasten senker forhåndsinnstilt temperatur med 1°C hver gang den trykkes ned, til minimum 17°C. Under oppvarmingsfunksjonen (kun Duo) øker denne knappen den forhåndsinnstilte temperaturen med 1 °C hver gang du trykker på den, med en maksimumsgrense på 30 °C. Ved timer-funksjon: Forkorting av tid for timer, Denne tasten forkorter forhåndsinnstilt tid med 1 time hver gang den trykkes ned og forkorter syklusen.

#### 5. L.E.D. DISPLAY

Displayet viser gjeldende innstillinger for temperatur eller timer. Når den innstilte

## BESKRIVELSER AV DRIFTSMODUSER OG INSTALLASJON

temperaturen eller timeren justeres, vises den nye innstillingen eller den gjeldende innstilte temperaturen.

※ Displayet vil også vise eventuelle feilkoder hvis feil oppstår. Se FEILKODER.

### 6. SPEED

Kjølefunksjon: Trykk for å velge enten LOW, MEDIUM, HIGH eller AUTO for viftehastigheten. Når "AUTO" er valgt, vil "HIGH", "MEDIUM" eller "LOW" automatisk velges ut i fra forskjellen mellom innstilt temperatur og omgivelsestemperatur. Omgivelsestemperatur – innstilt temperatur > 4 °C : Maskinen har høy viftehastighet.

2 °C ≤ Omgivelsestemperatur – innstilt temperatur ≤ 4 °C: Maskinen har middels viftehastighet.

0 °C ≤ Omgivelsestemperatur – innstilt temperatur ≤ 2 °C : Maskinen har lav viftehastighet.

Vifte: Trykk for å velge enten LOW, MEDIUM, HIGH eller AUTO for viftehastigheten.

\* Vær oppmerksom på at automatisk vindhastighet kun kan stilles inn i oppvarmingsmodus (kun Duo) og kjølemodus.

**Merk:** I avfuktingsfunksjonen vil ikke denne tasten brukes, siden enheten automatisk er innstilt for lav hastighet i avfuktingsmodus.

### 7. PROGRAMMABLE TIMER

Programmerbar timer AV/PÅ-tast. TIMER-ON: Timer-on brukes for å slå på enheten automatisk etter at innstilt tid har utløpt.

1) Trykk på "TIMER"-tasten i stand-by-status for å stille inn ønsket tid.  
2) Når innstilt tid er utløpt vil enheten slå seg på automatisk.

3) Trykk på "POWER"-tasten før tiden utløper, innstilt tid vil slettes og enheten vil slå seg på.

4) Du kan stille inn funksjon og viftehastighet samtidig som du stiller inn timeren. TIMER-OFF: Timer-off brukes for å slå av enheten automatisk etter at innstilt tid har utløpt.

1) Trykk på "TIMER"-tasten i operating-

status for å stille inn ønsket tid.

2) Når innstilt tid er utløpt, vil enheten slå seg av automatisk.

3) Trykk på "POWER"-tasten før tiden utløper, innstilt tid vil slettes og enheten vil slå seg av.

### 8. SLEEP CONTROL FUNCTION

1) Trykk på SLEEP-tasten for å stille inn temperaturen mens enheten er i kjølemodus. Den vil øke temperaturen med 1°C etter 1 time og vil maksimalt øke den med 2°C etter 2 timer.

2) Hvis du trykker på SLEEP på nytt, kan innstillingen avbrytes.

### 9. SWING

Trykk på denne tasten for å vri på bladene på luftuttaket. Dette stopper når du trykker på tasten på nytt.

### 10. ALARM

Når vanntanken er full vil "E4" vises på displayet. For å sette enheten i gang igjen må du først fjerne gummilokket for dreneringsslangen for å tømme ut vannet. E4-varselet vil forsvinne så snart vannet er tømt ut, og deretter kan du starte enheten ved å trykke på POWER-tasten.

### Vedlikehold

Gjør enheten ren med en myk, fuktig klut. Ikke bruk løsemidler eller sterke rengjøringsmidler, da dette kan skade enhetens overflate.

### Service

Hvis klimaanlegget krever service, må du først kontakte din lokale forhandler. Kjøpsbevis er nødvendig for alle garantikrav.

### Oppbevaringsinstruksjoner

Oppbevaring når sesongen er over

1) Skru av avløpsdekslet og trekk ut proppen for å tømme kondensvannet helt.

2) Hold enheten i gang i viftemodus i en halv dag for å tørke enheten helt

innvendig for å unngå at den bli muggen.

3) Slå av enheten, trekk ut støpselet og pakk strømledningen rundt den trådviklende søylen, sett pluggen inn i det universelle festehullet på baksiden av enheten, installer vannstopperen og avløpsdekslet.

4) Fjern varmeutløpsslangen, gjør den ren og hold den i stand.

5) Pakk klimaanlegget ordentlig med myk plastpose og sett det på et tørt sted ved bruk av passende støvtette tiltak, og hold enheten borte fra barn.

6) Ta batteriene ut av fjernkontrollen og hold den i stand.

**Merk:**

Forsikre deg om at enheten er lagret på et tørt sted. Alt tilbehør til enheten skal beskyttes

sammen på en skikkelig måte

Strømledningholder og universaluttak kan godt beskytte strømledningen.

Intelligent, miljøvennlig og energibesparende med selvfordampende kjølesystem.

24-timers tidsurfunksjon, unik på-/av-påminnende musikk.

3,5-minutters forsinket gjenoppstartende beskyttelse til kompressor og andre flere beskyttelsesfunksjoner.

PROBLEM	ÅRSAK	TILTAK
Enheden starter ikke	Svikt i strømforsyningen Vanntanken er full og ikonet lyser Omgivelsestemperaturen er for lav eller for høy Romtemperaturen er lavere enn den angitte temperaturen i kjølemodus, eller høyere i varmmodus	Kople enheten til en strømkontakt og slå den på Tøm vannet som er lagret i enheten Det anbefales å bruke denne enheten mellom 8 og 35°C Angi en annen temperatur
Dårlig kjøleeffekt	Enheden står i direkte sollys Dørene og vinduene er åpne, rommet er overfylt, eller andre varmekilder er i bruk Skittent filter Luftinntaket eller luftuttaket er tilstoppet	Trekk for gardinene Lukk dører og vinduer, fjern andre varmekilder Rengjør eller bytt filteret Fjern tilstoppingen
Høyt støynivå	Enheden står på et ujevnt underlag	Plasser enheten på et flatt og fast underlag (kan redusere støyen)
Kompressoren fungerer ikke	Beskyttelse mot overoppheting iverksatt	Vent til temperaturen reduseres, så starter enheten automatisk på nytt
Fjernkontrollen fungerer ikke	For stor avstand Fjernkontrollen er ikke rettet mot enhetens signalmottaker Batteriene er utladet	Hold fjernkontrollen nærmere klimaanlegget og påse at den er rettet mot enhetens signalmottaker.  Skift batterier
<p>Hvis du opplever problemer med klimaanlegget, kan du forsøke å feilsøke. Hvis ingen av tiltakene fungerer, må du kontakte forhandleren for å få service på klimaanlegget.</p>		

Feilkoder	ÅRSAK	TILTAK
E1-kode	Elektrisk kortslutning på både temperatursensor og kretskort	Kontakt en elektriker for reparasjon
E2-kode	Elektrisk kortslutning på temperatursensor, kobberkomponenter og ledninger for kretskort	Kontakt en elektriker for reparasjon
E4-kode	Indikerer full vanntank eller at stikkontakten har dårlig tilkobling	Brukeren må trekke ut gummiproppen på bunnen av enheten for å tømme ut vannet, eller sjekke at støpselet sitter ordentlig i stikkontakten

## Garanti

2 års garanti mot produksjonsfeil. Garantien gjelder kun ved fremvisning av kvittering. Garantien gjelder kun hvis produktet har blitt brukt i samsvar med instruksjonene og sikkerhetsanvisningene i denne bruksanvisningen. Garantien dekker ikke skader som skyldes feil bruk av produktet.

MERK: Garantien på 2 år gjelder ikke ved kommersiell bruk av enheten.



### MERK:

Registrer produktet på [www.warranty-woods.com](http://www.warranty-woods.com) og les om hvordan du kan få utvidet garanti. Gå til [www.woods.se](http://www.woods.se) hvis du vil ha mer informasjon.

### Anbefalte bruksgrenser

Ideell omgivelsestemperatur for kjøling er 17 - 35°C. Parameter for sikring: 5 ET eller SMT, 3,15 A, 250 VAC.

TEKNISKE DATA	Palermo 18K	Palermo 18K Duo A+	Palermo 22K
Kjølekapasitet	5,3 kW	5,3KW	6,5 kW
oppvarmingskapasitet		5,0KW	
Strømforbruk kjøling/oppvarming	2,030 kW	1,7KW/1,65KW	2,500 kW
Luftgjennomstrømning:	950 m <sup>3</sup> /h	950m <sup>3</sup> / h	950 m <sup>3</sup> /h
Energiklasse	A	A+	A
Avfukting	90 l/24 h	90 L / 24h	120 l/24 h
Temperaturinnstilling	17–30 °C	17-30°C	17–30 °C
Arbeidstemperatur kjøling/oppvarming	16–35 °C	16-35°C /heating 7-23°C	16–35 °C
EER	2,6	3,1/ 3,0	2,6
Kuldemediumgass	R290/264g	R290/250g	R290/369g
Støynivå i desibel	65dB	65dB	65dB
Vekt	51 kg/60 kg	51,5 kg/60,5 kg	52 kg/61 kg
Mål i mm, L x B x H	540 x 695 x 1 140	540x695x1140	540 x 695 x 1140

\*Tekniske endringer og forbedringer kan forekomme. Alle verdier er omtrentlige og kan variere med eksterne forhold som temperatur, ventilasjon og luftfuktighet.



#### Merk: Miljøvern og avfallshåndtering

- Forbrukeren er etter lov forpliktet til å avfallshåndtere elektroniske apparater, lamper og batterier på forskriftsmessig måte på slutten av deres levetid.
- Disse kan innleveres kostnadsfritt ved offentlige samlesteder eller til forhandlere.
- Slettingen av personopplysninger er forbrukerens eget ansvar.
- Lysstoffer og batterier, som kan tas ut uten fare og ikke er fastmontert, må tas ut på forhånd for separat avfallshåndtering.
- Landets lover regulerer detaljene for lovmessig avfallshåndtering.
- Merkingen med den overkryssede søppeldunken markerer elektriske apparater og batterier som etter levetiden ikke under noen omstendigheter må kastes i husholdningsavfallet.
- Symboler som er anbrakt under søppeldunken, kjennetegner evt. integrerte innholdsstoffer (bly = Pb, kvikksølv = Hg, kadmium = Cd).
- Denne separeringen er nødvendig, da batterier og elektriske apparater både er verdifulle ressurser og også inneholder skadelige stoffer for mennesker og miljø.
- Ved resirkulering, samling og gjenbruk av batterier og elektriske apparater som er egnet til dette bidrar du til å opprettholde og verne om miljøet og menneskers helse.

## WOOD'S SØRGER FOR REN OG SUND INDELUFT

Brandet Wood's blev skabt af familien Wood's for over 65 år siden i den canadiske by Guelph i Ontario. Her begyndte Wood's at udvikle og fremstille affugtere i 1950. Siden da har Wood's hjulpet flere hundrede tusinde husstande med at undgå skader fra skimmelsvamp og gøre indeluften renere. Vores transportable klimaenlæg er velegnede til brug i de fleste klimaer, hvor kapaciteten er god selv ved forskellige temperaturer og fugtighedsgrader. De bruges med gode resultater i lokaler, der bliver varme, såsom stuer, kontorer og soveværelser. Mængden af varm luft, som klimaenlægget fjerner, afhænger af temperatur, fugtighed og placering. Ydre vejrforhold kan også påvirke klimaenlæggets ydelse.

Klimaenlæg fra Wood's er driftssikre og beregnet til kontinuerlig brug i mange år.

## HVORDAN FUNGERER KLIMAANLÆGGET?

Lavt tryk giver kold luft.

Hovedelementet i klimaenlægget er et kølemiddel, som under lavt tryk omdannes til gas. Processen "skaber kulde", som føres indad, mens den varme luft holdes ude. Et flydende kølemiddel løber gennem en ekspansionsventil og ind i et rør, hvor trykket er lavt.

Kølemidlet fordampes og bliver til gas. Processen absorberer varme fra omgivelserne, og røret afkøles. Blæseren blæser den kolde luft ind i lokalet.

Gassen passerer gennem en kompressor, som øger trykket og omdanner gassen til væske.

I denne proces frigives varme, som føres til rør på den modsatte side og blæses ud af en ventilator.

En termostat slukker for enheden, når indeluften er kold nok.

## 1. SIKKERHEDSADVARSLER



Brændbart materiale. Dette apparat indeholder R290/Propan, som er et brændbart kølemiddel.



Sikkerhedsoplysninger kan ses i manualen.



Læs den tekniske vejledning



Læs betjeningsvejledningen.

### SIKKERHEDSOPLYSNINGER

Læs den medfølgende vejledning omhyggeligt, inden apparatet installeres og tages i brug. Producenten er ikke ansvarlig, hvis forkert installation og brug forårsager person- og tingskade. Opbevar altid vejledningen sammen med apparatet til fremtidig reference.

### Børns og udsatte personers sikkerhed

#### ADVARSEL



Risiko for personskade eller permanent funktionsnedsættelse. Dette apparat kan anvendes af børn i alderen 8 år og derover samt personer med nedsatte fysiske, sensoriske eller mentale evner eller manglende erfaring og viden, hvis de superviseres eller har fået instruktion i at bruge apparatet på en sikker måde og forstår, hvilken

fare det indebærer.

Lad ikke børn lege med apparatet.

Børn under 3 år skal holdes væk fra apparatet, medmindre de hele tiden overvåges.

Al emballage skal holdes væk fra børn.

Rengøring og brugervedligeholdelse må ikke foretages af børn uden opsyn.

### Generelle sikkerhedsforskrifter

Dette apparat er beregnet til husholdningsbrug og lignende anvendelser, f.eks.: i alrum, stuer, personalekøkkener i butikker, på kontorer og i andre arbejdsmiljøer. Mærkepladen er placeret på siden af eller bag på klimaenlægget. Ventilationsåbningerne må ikke blokeres.

Der må ikke anvendes mekaniske anordninger eller andre midler til at fremskynde afrimningsprocessen, bortset fra dem, producenten anbefaler.

Apparatet må ikke opbevares i et lokale, hvor der anvendes antændingskilder, eksempelvis åben ild, gasapparater eller et elektrisk varmeapparat. Må ikke punkteres eller brændes.

Vær opmærksom på, at kølemidler ikke nødvendigvis kan lugtes. Brug ikke vand eller damp til at rengøre apparatet. Rengør apparatet med en fugtig, blød klud. Brug kun neutrale rengøringsmidler. Brug ikke slibemidler, slibende rengørings-svampe, opløsningsmidler eller metalgenstande.

Hvis elledningen er beskadiget, skal den udskiftes af fabrikanten, et autoriseret servicecenter eller en

tilsvarende kvalificeret person for at undgå fare.

## SIKKERHEDSANVISNINGER

### Installation ADVARSEL



Dette apparat må kun installeres af en kvalificeret person.

Fjern al emballagen.

Apparatet må ikke installeres eller anvendes, hvis det er beskadiget.

Apparatet skal installeres, betjenes og opbevares i et lokale med et

gulvareal, der er større end 13m<sup>2</sup> (AC Palermo 18K) /25 m<sup>2</sup>(AC Palermo 22K). Følg installationsvejledningen, der følger med apparatet.

Vær altid forsigtig, når du flytter apparatet, da det er tungt. Brug altid sikkerhedshandsker. Vær opmærksom på, at kølemidler ikke nødvendigvis kan lugtes.

Sørg for, at luften kan cirkulere omkring apparatet.

Vent mindst 4 timer, før apparatet tilsluttes til strømforsyningen.

Dette er for at give olien mulighed for at flyde tilbage i kompressoren.

Apparatet må ikke installeres tæt på radiatorer eller andre varmekilder.

Apparatet må ikke installeres et sted, hvor der er direkte sollys.

### Elektrisk tilslutning

#### ADVARSEL

Risiko for brand og elektrisk stød.

Apparatet skal tilsluttes til en jordet stikkontakt.

Sørg for, at strømplysningerne på mærkepladen er i overensstemmelse med strømforsyningen. Hvis ikke, skal du kontakte en elektriker. Brug altid en korrekt installeret og stødsikker stikkontakt.

Brug ikke adaptere til flere stik og forlængerkabler.

Sørg for ikke at beskadige de elektriske komponenter (f.eks. netstik, strømkabel).

Kontakt et autoriseret servicecenter eller en elektriker for at ændre de elektriske komponenter.

Netkablet skal forblive under netstikkets niveau.

Tilslut først netstikket til stikkontakten som det sidste i forbindelse med installationen.

Sørg for, at der er adgang til netstikket efter installationen.

Træk ikke i strømkablet for at frakoble apparatet. Træk altid i netstikket.

Dette apparat skal bruge mindst 25 A for at sætte sin kompressor i drift. For at undgå strømafbrydelser i husholdningens strømforsyning må der ikke bruges en forlængerledning til dette apparat.

### Anvendelse

#### ADVARSEL

Risiko for personskade, forbrændinger, elektrisk stød eller brand. Du må ikke ændre specifikationen for dette apparat.

Pas på ikke at beskadige kølemiddelkredsløbet. Det indeholder propan (R290), som er en naturgas med en høj grad af miljøvenlighed. Denne gas er brændbar.

Hvis der opstår skader på kølemiddelkredsløbet, skal du sørge for, at der ikke er flammer og antændelskilder i lokalet. Udluft lokalet. Placer ikke brændbare produkter eller genstande, der er gennemvædet med brændbare væsker, i

nærheden af eller på apparatet. Betjen dette apparat i en omgivelsestemperatur på 35 °C eller derunder.

Rengør luftfilteret med jævne mellemrum for at sikre en så effektiv køling som muligt.

Når apparatet er slukket, skal du vente mindst 3,5 minutter, før du genstarter det, for at forhindre skader på kompressoren.

Når du tænder for apparatet, vil blæseren køre, men kompressoren starter først, når kølealarmen har blinket i tre minutter

Klimaanlægget kan kun tilsluttes en forsyning med en systemimpedans på højst 0,219 Ω. Om nødvendigt skal du kontakte din forsyningsmyndighed for at få information om impedans i systemet.

### Bortskaffelse

#### ADVARSEL

Risiko for personskade.

Træk apparatets stik ud af stikkontakten.

Fjern strømkablet, og kassér det. Kølemiddelkredsløbet i dette apparat er ozonvenligt. Kontakt kommunen for at få oplysninger om korrekt bortskaffelse af produktet. Den del af køleenheden, der er i nærheden af varmeveksleren, må ikke beskadiges.

## INSTALLATION AF KLIMAANLÆGGET

### Transport, mærkning og opbevaring af apparater

1. Transport af udstyr, der indeholder brændbare kølemidler Overholdelse af transportbestemmelserne
2. Mærkning af udstyr ved hjælp af skilte  
Overholdelse af lokale bestemmelser
3. Bortskaffelse af udstyr, der anvender brændbare kølemidler  
Overholdelse af nationale bestemmelser
4. Opbevaring af udstyr/apparater  
Opbevaring af udstyr skal ske i overensstemmelse med fabrikantens anvisninger.
5. Opbevaring af emballeret (ikke-solgt) udstyr  
Beskyttelsesemballage ved opbevaring af apparatet skal være designet på en måde, der sikrer, at mekaniske skader på det emballerede udstyr ikke medfører, at det påfyldte kølemiddel lækker. Det maksimale antal udstyrsdele, der må opbevares sammen, fastsættes i lokale bestemmelser.
6. Apparatet skal opbevares på en sådan måde, at der ikke kan opstå mekanisk skade.
7. Generelt arbejdsområde Alt vedligeholdelsespersonale og andre, der arbejder i området, skal instrueres i den type arbejde, der skal udføres. Arbejde i lukkede rum skal undgås. Arealet omkring arbejdsområdet skal afspærres. Sørg for, at forholdene i området er gjort sikre ved at sørge for, at brændbart materiale er under kontrol.

### 2. Installation

#### Vigtigt

1. Dette klimaanlæg kan nemt flyttes rundt indendørs. Hold apparatet i oprejst stilling, når det flyttes. Klimaanlægget skal placeres på en plan flade.

Klimaanlægget må ikke installeres eller anvendes i et badeværelse eller vådmiljø. Eftersom det transportable klimaanlæg har hjul, er det nemt at flytte rundt på det. Når varmen tændes, skal du bare flytte det transportable klimaanlæg ind i lokalet, og så kommer kølingen af lokalet hurtigt i gang.

Klimaanlægget skal anvendes i et lukket område for at være mest effektivt. Luk alle døre, vinduer og andre udvendige åbninger til lokalet. Klimaanlæggets effektivitet afhænger af temperatur og fugtighedsgrad.

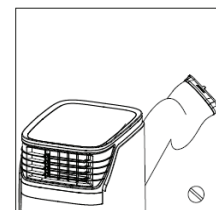
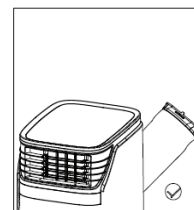
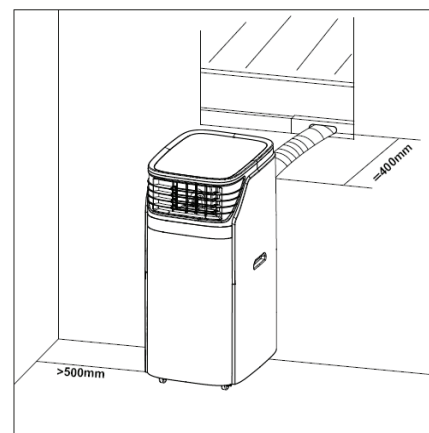
2. Placer klimaanlægget et sted, hvor luftstrømmen gennem apparatets front ikke begrænses.

3. Et klimaanlæg, der anvendes i et rum, har ringe eller ingen effekt på tørring af et tilstødende lukket opbevaringsområde, såsom et skab, medmindre der er tilstrækkelig luftcirkulation ind og ud af området. Varmen i det transportable klimaanlæg fjernes med en ventilationsslange, der føres ud af et vindue eller en udluftningsventil.

4. Udstødningsslangen kan forlænges til en længde på højst 400 mm. Udstødningsslangen skal holdes parallelt og må ikke bøjes op eller ned.

5. Der bør være mindst 50 cm afstand mellem klimaanlægget og nærmeste genstand. Se billedet.

6. Når dette apparat begynder at afrime, vises ordet "DF" (Defrost) på LED-displayet



## PRODUKTBEKRIVELSE

### 3. Produktbeskrivelse

#### A

1. Aftræksslange
2. Vinduestilslutningsstykke ekstraudstyr (medfølger ikke)
3. Vinduessæt
4. Stik
5. Batterier
6. Fjernbetjening
7. Tilslutning til udtag til kold luft (ekstraudstyr)

#### B

1. Produktbilleder

#### C

1. Udtag for kold luft
2. Betjeningspanel
3. Rund adapter (ende)
4. Aftræksslange
5. Håndtag i højre side
6. Udtag for varm luft
7. Afløbshul på oversiden
8. Luftindtagsgitter til kold luft
9. Håndtag i venstre side
10. Luftindtagsgitter til varm luft
11. Afløbshul på undersiden

#### D

1. Billeder af produktets bagside

#### E

1. Billeder af produktets overdel

#### F

1. TÆND/SLUK-KNAP
2. FUNKTION
3. KNAP TIL TEMPERATURREGULERING (OP)
4. KNAP TIL TEMPERATURREGULERING (NED)
5. LED- DISPLAY
6. HASTIGHED
7. PROGRAMMERBAR TIMER
8. FUNKTIONEN DVALETILSTAND
9. SVINGNING

#### G

1. Billede af filterdemonteringen

#### H

1. Skematisk diagram over rengøring af filternet

#### I

1. POWER—Tænd/sluk-knap
2. FUNC—Vælger til "funktionstilstand"
3. TIMER—Timeprogrammering
4. AUTO—Automatisk blæserhastighed
5. HI—Høj blæserhastighed
6. MID—Medium blæserhastighed
7. LOW—Lav blæserhastighed
8. SLEEP—Vælger til natdrift
9. TEMP.—Temperaturvælger
10. SWING—Svingfunktion

#### J

1. Udskiftning af fjernbetjeningsbatteri. Brug kun 2 stk. 1,5 V AAA-batterier

#### K

1. Skru aftræksslangen fast i slangetilslutningen.

#### L

1. Introduktion til installation af aftræksslangen

#### M

1. Installation af vinduesskinnesæt

#### N

1. Monteringsstik til vinduessæt

#### O

1. Billede af vandudløbet

## DRIFTSTILSTANDENES VIRKEMÅDE OG INSTALLATIONSVEJLEDNING

### A. Tilbehør

Når du har pakket udstyret ud, skal du kontrollere, om ovennævnte tilbehør er inkluderet. Læs desuden om tilbehørets formål i introduktionen til installationen i denne vejledning. Tilslutning til udtag til kold luft er ekstraudstyr.

### B. Mobilt klimaanlæg

J. Fjernbetjeningsens udseende og funktion. Bemærk: - Undgå at tabe fjernbetjeningen.- Anbring ikke fjernbetjeningen i direkte sollys.

### M. Introduktion til betjening

Gør følgende, før du udfører de handlinger, der er beskrevet i dette afsnit:

- 1) Find en placering, hvor der er en stikkontakt i nærheden.
- 2) Monter aftræksslangen, og juster vinduespositionen korrekt.
- 3) Tilslut afløbsslangen korrekt (kun ved brug af modellen med varmfunktion).
- 4) Slut strømforsyningskablet til en jordet stikkontakt AC 220~240 V/50 Hz.
- 5) Tryk på TÆND/SLUK-knappen for at tænde for klimaanlægget

### K&L. Introduktion til installation af aftræksslangen

#### A) Midlertidig installation

1. Drej aftræksslangen ind i slangekoblingen og udtaget på bagsiden af klimaanlægget
2. Anbring den anden ende af aftræksslangen i nærheden af vindueskarmen.

### N. Installation af vinduesskinnesæt

Vinduesskinnesættet monteres som regel "vandret" eller "lodret". Kontrollér før installationen vinduets minimum- og maksimumstørrelse som vist på fig. 5 og fig. 5a.

1. Installer vinduessættet på vinduet.
2. Juster vinduesskinnesættets længde alt efter vinduets bredde eller højde, og fastgør det med låsetappen.
3. Slut slangen med vinduestilslutningsstykket til hullet i vinduessættet.

### O. Alarmfunktion for fuld indvendig vand-

### beholder

Vandbeholderen i klimaanlægget er udstyret med en sikkerhedsafbryder med niveauføler, som styrer vandstanden. Når vandstanden når en bestemt højde, lyser indikatorlampen for fuld vandbeholder (når vandbeholderen er fuld, skal du fjerne gummiproppen nederst på apparatet, så alt vand løber ud).

### H. Erklæring om vedligeholdelses-anvisninger:

**Det er vigtigt, at filtret rengøres regelmæssigt, for ellers kan klimaanlæggets kapacitet falde, og det kan blive alvorligt beskadiget.**

- 1) Tag altid strømforsyningskablet ud af stikkontakten, før du rengør apparatet.
- 2) Brug ikke benzin eller andre kemikalier til rengøring af apparatet.
- 3) Nedsænk ikke apparatet i vand.
- 4) Hvis klimaanlægget er beskadiget, skal du kontakte forhandleren eller en reparatør.

#### 1. Luftfilter

- Rengør luftfilteret hver uge eller hver anden uge, så du undgår, at det bliver tilstoppet af støv/snavs.
- Afmontering  
Åbn luftindtagsgitteret, og afmonter luftfilteret.
- Rengøring  
Rengør luftfiltret med et neutralt rengøringsmiddel og lunkent vand ( 40 °C ), og lad det tørre i skyggen.
- Montering  
Sæt luftfiltret tilbage på plads i luftindtagsgitteret.

2. Udvendig rengøring af klimaanlægget  
Rengør først klimaanlægget udvendigt med et neutralt rengøringsmiddel og en fugtig klud, og tør efter med en tør klud.

### E. Før brug

Kontrollér, at aftræksslangen er monteret korrekt.

Sikkerhedsforanstaltninger ved brug af køle- og affugtningsfunktionerne:

- Når du bruger køle- og affugtningsfunktionerne, skal du holde en pause på mindst 3 minutter mellem hver AKTIVERING.
- Strømforsyningen skal opfylde kravene.
- Stikkontakten skal være til vekselstrøm.
- Undlad at slutte flere apparater til samme stikkontakt.
- Strømforsyningen skal være AC 220-240 V, 50 Hz.

Når stikket er trukket ud: Alle knapper og kontrollamper er ikke synlige.  
Når stikket er sat i: Indikatorlampen for tænd/sluk-knappen og timerknappen er halvt oplyst for drift.

#### 1. TÆND/SLUK-KNAP

Tryk på denne knap for at tænde eller slukke apparatet

#### 2. FUNKTION

Tryk på denne knap for at vælge køling, affugtning eller blæser.

#### 3. Knap til TEMPERATURREGULERING (OP)

Under kølefunktion: Denne knap hæver den forudindstillede temperatur med 1 °C, hver gang du trykker på den, og maksimumgrænsen er 30 °C. Under opvarmningsfunktionen (kun Duo-modellen) øger denne knap tidsindstillingen med en time, hver gang der trykkes på den, samtidig med at cyklusen øges. Under timerfunktion: Ved øgning af timerens tid øger denne knap tiden med 1 time, hver gang du trykker på den, hvorefter driftscyklusen øges.

#### 4. Knap til TEMPERATURREGULERING (NED)

Under kølefunktion: Denne knap sænker den forudindstillede temperatur med 1 °C, hver gang du trykker på den, og minimumgrænsen er 17 °C. During heating function (only Duo model) this button raises the preset temperature by 1°C each time it is pressed, with the maximum limit set at 30°C. Under timerfunktion: Ved reducere af timerens tid reducerer denne knap tiden med 1 time, hver gang du

## DRIFTSTILSTANDENES VIRKEMÅDE OG INSTALLATIONSVEJLEDNING

trykker på den, hvorefter driftscyklussen reduceres.

### 5. LED- DISPLAY

Displayet viser den aktuelle indstillings-temperatur eller timerindstillingen. Når den indstillede temperatur eller timeren justeres, vises den nye indstilling, og displayet returnerer derefter til den aktuelle indstillede temperatur.

※ Displayet bruges også til at vise fejlkoder, hvis der skulle opstå en fejl, se FEJLKODER.

### 6. HASTIGHED

Køling: Tryk på denne funktion for at vælge enten LAV, MEDIUM, HØJ ELLER AUTOMATISK blæserhastighed.

Hvis "AUTO" vælges, vil "HØJ" eller "MEDIUM" eller "LAV" automatisk blive valgt iht. forskellen

mellem indstillingstemperatur og omgivelsestemperatur.

Omgivelsestemperatur-Indstillet temperatur > 4 °C: Maskinen har en høj blæserhastighed.

2 °C ≤ Omgivelsestemperatur-Indstillet temperatur ≤ 4 °C: Maskinen har medium blæserhastighed.

0 °C ≤ Omgivelsestemperatur-Indstillet temperatur ≤ 2 °C: Maskinen har lav blæserhastighed.

Blæser: Tryk på denne funktion for at vælge enten LAV, MEDIUM, HØJ ELLER AUTOMATISK blæserhastighed

\* Bemærk venligst, at automatisk vindhastighed kun kan indstilles i opvarmnings- (kun Duo model) og afkølingstilstand.

Bemærk: Når affugtningsfunktionen er aktiv, er denne knap inaktiv, fordi apparatet er defineret til at køre med lav hastighed i affugtningsstilstand.

### 7. PROGRAMMERBAR TIMER

Programmerbar timer TÆND/SLUK-knap. TIMER TIL: Timer til-funktionen bruges til at tænde apparatet automatisk, når den indstillede tid er gået.

1) Tryk på "TIMER"-knappen ved standby-status for at indstille den ønskede tid.

2) Når den indstillede tid er gået, tændes apparatet automatisk.

3) Tryk på "TÆND/SLUK"-knappen før timeout for at annullere indstillingstiden og tænde enheden.

4) Du kan indstille funktionen og blæserhastigheden, mens du indstiller timeren.

TIMER FRA: Timer fra-funktionen bruges til at slukke apparatet automatisk, når den indstillede tid er gået.

1) Tryk på "TIMER"-knappen ved driftsstatus for at indstille den ønskede tid.

2) Når den indstillede tid er gået, slukker apparatet automatisk.

3) Tryk på "TÆND/SLUK"-knappen før timeout for at annullere indstillingstiden og slukke enheden.

### 8. FUNKTIONEN DVALETILSTAND

1) Mens apparatet er i køletilstand, skal du trykke på knappen for DVALETILSTAND for at indstille temperaturen. Dette øger temperaturen med

1 °C efter en time og øger temperaturen med højst 2 °C efter 2 timer.

2) Tryk på knappen for DVALETILSTAND igen for at annullere indstillingen.

### 9. SVINGNING

Tryk på denne knap for at svinge bladene i luftudtaget. Funktionen stopper, når du trykker på knappen igen.

### 10. ALARM

Når vandbeholderen er fuld, vises "E4" på displaypanelet. For at genoptage driften skal du først fjerne gummihætten på afløbsslangen for at tømme vandet ud. E4-advarslen forsvinder efter tømning, og du kan derefter genstarte apparatet ved at trykke på TÆND/SLUK-knappen.

### Vedligeholdelse

kan du få mere at vide om, hvordan apparatet skal rengøres. Rengør apparatet med en fugtet blød klud. Brug ikke opløsningsmidler eller stærke rengøringsmidler, da

de kan beskadige apparatets overflade.

### Service

Hvis klimaanlægget trænger til service, skal du først kontakte din lokale forhandler.

Købsbevis skal fremvises i forbindelse med alle garantikrav.

### Opbevaringsanvisninger

Opbevaring, når sæsonen er slut

1) Skru udløbshætten af, og træk proppen ud for at tømme kondensvandet helt ud.

2) Lad apparatet køre i blæsertilstand en halv dag for at tørre dets inderside helt og dermed forhindre, at der dannes mug.

3) Sluk for apparatet, træk stikket ud, og vikl derefter elledningen rundt om ledningsholderen. Sæt stikket i fastgørelsesshullet på apparatets bagpanel. Monter vandproppen og udløbshætten.

4) Fjern aftræksslangeenheden til varm luft. Rengør den, og opbevar den på korrekt vis.

5) Pak klimaanlægget korrekt ind i blød plast, og placer det et tørt sted, hvor der ikke er støv. Apparatet skal holdes væk fra børn.

6) Tag batterierne ud af fjernbetjeningen, og opbevar den på korrekt vis.

Bemærk:

Sørg for, at apparatet opbevares et tørt sted.

Alt tilbehør til apparatet skal holdes samlet og beskyttes på korrekt vis.

Holderen til elledningen og hullet til stikket beskytter elledningen.

Intelligent, miljøvenlig og energibesparende med selvfordampende kølesystem.

24-timers timerfunktion, påmindelsesmusik ved tænd/sluk.

3,5 minutters genstartsforsinkelse for kompressoren og flere andre beskyttelsesfunktioner.

PROBLEM	ÅRSAG	AFHJÆLPNING
Apparatet starter ikke, når du trykker på tænd/sluk-knappen	Indikatoren for fuld vandbeholder blinker, og vandbeholderen er fuld.	Tøm vandet ud af vandbeholderen.
	Rumtemperaturen er højere end den indstillede temperatur (elektrisk varmetilstand).	Nulstil temperaturen.
	Rumtemperaturen er lavere end den indstillede temperatur (køletilstand).	Nulstil temperaturen.
Der er ikke køligt nok	Dørene eller vinduerne er ikke lukkede.	Sørg for, at alle vinduer og døre er lukkede.
	Der er varmekilder i rummet.	Fjern varmekilderne, hvis det er muligt.
	Aftræksslangen til varm luft er ikke tilsluttet eller er blokeret.	Tilslut eller rengør aftræksslangen til varm luft.
	Den indstillede temperatur er for høj.	Nulstil temperaturen.
	Luftindtaget er blokeret.	Rengør luftindtaget.
Højt støjniveau	Underlaget er ikke jævnt eller er ikke tilstrækkeligt plant	Anbring apparatet på et jævnt, plant underlag, hvis det er muligt
	Lyden stammer fra kølemidlet, som cirkulerer inde i klimaanlægget	Det er helt normalt.
Brug nedenstående fejlfindingsoversigt, hvis der opstår problemer med affugteren. Hvis nedenstående ikke løser problemet, skal du kontakte forhandleren for at få klimaanlægget service.		

Fejlkoder	ÅRSAG	AFHJÆLPNING
Koden E1	Elektrisk kortslutning på både temperatursensor og printplade	Kontakt en elektriker angående reparation
Koden E2	Elektrisk kortslutning af temperatursensorens kobberør og ledningsnet til printplade	Kontakt en elektriker angående reparation
Koden E4	Indikerer, at vandbeholderen er fuld, eller at der er dårlig kontakt med strømstikket	Brugeren skal trække gummiproppen ud, som sidder nederst på apparatet, for at tømme vandet ud. Eller brugeren skal kontrollere, at strømstikket sidder korrekt i

## Garanti

2 års forbrugergaranti mod produktionsfejl. Bemærk, at garantien kun er gyldig ved fremvisning af kvittering. Garantien gælder kun, hvis produktet anvendes i overensstemmelse med instruktionerne og sikkerhedsanvisningerne i denne manual. Garantien dækker ikke skader, som skyldes forkert håndtering af produktet.

**BEMÆRK:** Den 2-årige garanti gælder kun forbrugere og gælder ikke kommerciel brug af apparatet.



### BEMÆRK!

Registrer dit produkt på [www.warranty-woods.com](http://www.warranty-woods.com), og læs, hvordan du får udvidet garanti. Du kan få flere oplysninger på [www.woods.se](http://www.woods.se).

**Anbefalede grænseværdier ved brug**  
Den optimale omgivelsestemperatur for køling er 17-35 °C,  
Sikringsparameter: 5ET eller SMT, 3,15 A, 250 V ac.

TEKNISKE DATA	Palermo 18K	Palermo 18K Duo A+	Palermo 22K
Kølekapacitet	5,3 KW	5,3KW	6,5 KW
Varmekapacitet		5,0KW	
Strømforbrug køling/opvarmning	2,030 KW	1,7KW/1,65KW	2,500 KW
Luftstrøm:	950 m <sup>3</sup> /h	950m <sup>3</sup> / h	950 m <sup>3</sup> /h
Energiklasse	A	A+	A
Affugtning	90 l/24 h	90 L / 24h	120 l/24 h
Temperaturindstilling	17-30 °C	17-30°C	17-30 °C
Driftstemperatur køling/opvarmning	16-35 °C	16-35°C /heating7-23°C	16-35 °C
Energieffektivitetsfaktor køling/opvarmning	2,6	3,1/ 3,0	2,6
Kølemiddel	R290/264g	R290/250g	R290/369g
Støjniveau i decibel	65dB	65dB	65dB
Vægt	51 kg/60 kg	51,5 kg/60,5 kg	52 kg/61 kg
Mål i mm, L x B x H	540 x 695 x 1140	540x695x1140	540 x 695 x 1140

\*Der kan ske tekniske ændringer og forbedringer. Alle værdier er omtrentlige og kan variere på grund af ydre omstændigheder såsom temperatur, ventilation og luftfugtighed.



#### Henvisning: Miljøbeskyttelse og bortskaffelse

- Forbrugeren er ved lovkrav forpligtet til en korrekt bortskaffelse af udtjente elektroniske apparater, såsom lamper og batterier.
- Disse kan returneres gratis på offentlige indsamlingssteder eller hos forhandlere.
- Sletning af personrelaterede data er forbrugers eget ansvar.
- Lysmidler og batterier, som kan udtages uden risiko og ikke er fast installeret, skal fjernes forud til separat bortskaffelse.
- Den nationale lovgivning regulerer detaljer vedrørende lovgivningsmæssig bortskaffelse.
- Symbolet med den gennemstregede affaldstønde kendetegner udtjente elektriske apparater og batterier, som under ingen omstændigheder må bortskaffes via husholdningsaffaldet.
- Under affaldstønde stående symboler, kendetegner evt. indeholdte indholdsstoffer (bly = Pb, kviksølv = Hg, cadmium = Cd).
- Denne adskillelse er nødvendig, da batterier og elektriske apparater både er værdifulde ressourcer som også indeholder for mennesker og miljø skadelige stoffer.
- Gennem anvendelse, indsamling og genbrug af hertil egnede batterier og elektriske apparater bidrager du til bevarelse og beskyttelse af miljø og menneskers sundhed.

## GERÄTE VON WOOD FÜR SAUBERE UND GESUNDE RAUMLUFT

Die Marke Wood wurde von der Familie Wood vor über 65 Jahren in der kanadischen Stadt Guelph, Ontario, ins Leben gerufen. Dort nahm Wood 1950 die Entwicklung und Herstellung von Luftentfeuchtern auf. Seitdem hat Wood mehreren hunderttausend Haushalten geholfen, Schäden durch Schimmelfeuchtigkeit zu verhindern und sauberere Luft zu genießen. Unsere tragbaren Klimaanlage eignen sich für den Einsatz in den meisten Klimazonen, in denen die Leistung auch bei unterschiedlichen Temperaturen und Feuchtigkeitswerten gut ist. Die Geräte werden mit guten Ergebnissen in feuchten Räumen wie Wohnzimmern, Büros oder Schlafzimmern eingesetzt. Die Menge der vom Gerät beseitigten Warmluft hängt von Temperatur, Luftfeuchte und Standort ab. Auch externe Wetterbedingungen wirken sich auf die Trocknungsleistung aus.

Die Klimaanlage von Wood sind betriebssicher und für einen langjährigen Dauerbetrieb ausgelegt.

### WIE FUNKTIONIERT DIE KLIMAAANLAGE?

Niedriger Druck sorgt für kalte Luft. Das Hauptelement der Klimaanlage ist ein Kältemittel, das unter niedrigem Druck in Gas umgewandelt wird. Dieser Prozess „erzeugt Kälte“, die nach innen geleitet wird, während die warme Luft am Eindringen gehindert wird.

Ein flüssiges Kältemittel wird über ein Expansionsventil in ein Rohr geleitet, in dem der Druck niedrig ist.

Das Kältemittel verdunstet und verwandelt sich in ein Gas. Dieser Prozess absorbiert Wärme aus der Umgebung und das Rohr wird gekühlt.

Ein Lüfter leitet die kalte Luft in den Raum. Das Gas wird durch einen Kompressor geleitet, der den Druck erhöht und das Gas in Flüssigkeit umwandelt.

Dabei wird Wärme freigesetzt, die in Rohre auf der gegenüberliegenden Seite geleitet und von einem Lüfter verteilt wird.

Ein Thermostat schaltet das Gerät ab, wenn die Raumluft kalt genug ist.

## 1. SICHERHEITSHINWEISE



**Brennbares Material.** Dieses Gerät enthält R290/ Propan, ein brennbares Kältemittel.



Diesem Handbuch sind die Sicherheitshinweise zu entnehmen.



Lesen Sie das technische Handbuch.



Lesen Sie die Bedienungsanleitung.

### SICHERHEITSHINWEISE

Vor der Installation und Nutzung des Geräts sind die beiliegenden Anleitungen sorgfältig zu lesen. Bei Verletzungen oder Sachschäden aufgrund einer unsachgemäßen Installation übernimmt der Hersteller keine Haftung. Die Anleitung ist zusammen mit dem Gerät aufzubewahren, damit man jederzeit darin nachschlagen kann.

### Sicherheit von Kindern und schutzbedürftigen Personen

#### WARNUNG



Gefahr von Verletzungen und Dauerinvalidität. Dieses Gerät kann von Kindern ab 8 Jahren und Personen mit eingeschränkten körperlichen, sensorischen oder geistigen Fähigkeiten oder mangelnden Erfahrungen und Kenntnissen benutzt werden, wenn sie in der sicheren Handhabung der Geräte unterwiesen wurden und die damit verbundenen Gefahren verstehen bzw. unter

entsprechender Aufsicht stehen. Kinder nicht mit dem Gerät spielen lassen!

Kinder unter 3 Jahren sind vom Gerät fernzuhalten, sofern sie nicht ständig beaufsichtigt werden.

Sämtliches Verpackungsmaterial von Kindern fernhalten.

Reinigung und Wartung dürfen nicht von unbeaufsichtigten Kindern durchgeführt werden.

### Allgemeine Sicherheitshinweise

Dieses Gerät ist für den Einsatz in Haushaltsbereichen und ähnlichen Umfeldern vorgesehen, z. B.: Familienzimmer, Wohnzimmer, Küchenbereiche der Mitarbeiter in Geschäften, Büros und anderen Arbeitsbereichen. Das Typenschild befindet sich auf der Seite oder Rückseite der Klimaanlage. Lüftungsöffnungen dürfen nicht überdeckt werden.

Als Abtauhilfen dürfen keine mechanischen oder sonstigen Geräte, sondern ausschließlich die vom Hersteller empfohlenen Vorrichtungen verwendet werden.

Das Gerät nicht in Räumen mit in Betrieb befindlichen Zündquellen (z. B. offene Flammen, Betriebsgasgeräte, elektrische Betriebsheizungen) lagern. Das Gerät nicht anstecken oder verbrennen.

Kältemittel können geruchlos sein. Gerät nicht mit Wasserstrahl oder Dampf reinigen. Gerät mit einem feuchten, weichen Tuch reinigen. Nur neutrale Reinigungsmittel benutzen. Keine Scheuermittel, Schmirgelschwämme, Lösungsmittel oder Metallgegenstände verwenden. Bei einem Schaden am Netzkabel muss der Austausch aus Sicherheitsgründen durch den Hersteller, ein offizielles Servicezentrum oder Fachpersonal erfolgen.

**SICHERHEITSHINWEISE****Installation****WARNUNG**

Das Gerät darf nur von einer entsprechend qualifizierten Person installiert werden.

Die Verpackung ist restlos vom Gerät zu entfernen.

Ein beschädigtes Gerät darf weder installiert noch verwendet werden.

Lagerung, Installation und Betrieb des Geräts sind nur in Räumen mit einer Mindestfläche von 13 m<sup>2</sup> (AC Palermo 18K) / 25 m<sup>2</sup> (AC Palermo 22K).

zu-lässig. Die beiliegende Installationsanleitung ist zu befolgen.

Das Gerät ist schwer – Vorsicht beim Transport und beim Umstellen. Immer Schutzhandschuhe tragen.

Kältemittel können geruchlos sein.

Darauf achten, dass die Luft ungehindert um das Gerät zirkulieren kann.

Vor dem Netzanschluss mindestens 4 Stunden mit aufrecht stehendem Gerät warten. In dieser Zeit kann das Öl zurück in den Kompressor fließen.

Gerät nicht in der Nähe von Radiatoren und anderen Wärmequellen betreiben.

Das Gerät nicht an einem Ort mit direkter Sonneneinstrahlung aufstellen.

**Elektrischer Anschluss****WARNUNG**

Brand- und Stromschlaggefahr.

Das Gerät muss an eine geerdete Steckdose angeschlossen werden.

Darauf achten, dass die elektrischen Angaben auf dem Typenschild mit dem Netzanschluss übereinstimmen. Sollte das nicht der Fall sein, wenden Sie sich an eine Elektrofachkraft.

Der Anschluss muss an eine sachgerecht installierte, VDE-zugelassene Steckdose erfolgen.

Multistecker-Adapter und Verlängerungskabel sind unzulässig. Darauf achten, dass die elektrischen Komponenten (z.B. Netzstecker, Netzkabel) nicht beschädigt werden. Falls ein elektrisches Bauteil ausgetauscht werden muss, ein Autorisiertes Servicezentrum oder einen Elektriker beauftragen. Das Netzkabel muss durchgehend unterhalb der Steckdose verlegt werden.

Das Gerät erst nach der Aufstellung am endgültigen Betriebsort an die Steckdose anschließen.

Der Netzstecker muss jederzeit zugänglich sein.

Zum Trennen der Stromversorgung nicht am Netzkabel ziehen. Immer direkt am Netzstecker ziehen.

Dieses Gerät benötigt mindestens 25 A Strom, um seinen Kompressor zu betreiben. Um zu vermeiden, dass der Strom im Haushalt ausfällt, verwenden Sie bitte kein Verlängerungskabel für dieses Gerät.

**Betrieb****WARNUNG**

Verletzungs-, Verbrennungs-, Stromschlag- und Brandgefahr! Gerät nur innerhalb der angegebenen Spezifikationen betreiben und keine Veränderungen am Gerät vornehmen.

Darauf achten, dass der Kältemittelkreislauf nicht beschädigt wird. Der Kreislauf enthält das umweltverträgliche Erdgas Propan (R290). Es ist brennbar.

Sollte der Kältemittelkreislauf beschädigt werden, sofort sicherstellen, dass es im Raum weder offenes Feuer noch Zündquellen gibt. Den Raum lüften.

Keine brennbaren Produkte oder nasse Gegenstände, die mit brennbaren Produkten benetzt sind, auf das Gerät oder in dessen

Nähe stellen.

Betreiben Sie dieses Gerät in einer Umgebung von 35°C oder weniger. Reinigen Sie den Luftfilter regelmäßig, um die optimale Kühleffizienz zu erzielen. Wenn das Gerät abgeschaltet ist, warten Sie bitte mindestens 3,5 Minuten, bevor Sie es wieder einschalten, um eine Beschädigung des Kompressors zu vermeiden. Beim Einschalten des Geräts läuft die Lüftung an, aber der Kompressor startet erst, nachdem die Kühlwarnleuchte drei Minuten lang geblinkt hat.

Das Klimagerät kann nur an eine Versorgung angeschlossen werden, deren Systemimpedanz nicht höher als 0,219 Ω ist. Falls erforderlich, wenden Sie sich bitte an Ihr Versorgungsunternehmen, um Informationen zur Systemimpedanz zu erhalten.

**Entsorgung****WARNUNG**

Verletzungsgefahr!

Den Netzstecker des Geräts abziehen. Netzkabel abschneiden und entsorgen.

Der Kältemittelkreislauf des Geräts ist ozonverträglich.

Die Vorgehensweise bei der umweltverträglichen Entsorgung des Geräts ist bei der zuständigen Behörde nachzufragen.

Der Teil der Kühleinheit unmittelbar neben dem Wärmetauscher darf nicht beschädigt werden.

## EINRICHTUNG DER KLIMAAANLAGE ZUR INSTALLATION

### Transport, Kennzeichnung und Lagerung des Geräts

1. Transport von Geräten, die entzündbare Kältemittel enthalten Einhaltung der Transportvorschriften
2. Kennzeichnung des Geräts mit Schildern, Einhaltung der örtlichen Vorschriften
3. Entsorgung von Geräten mit brennbaren Kältemitteln, Einhaltung der nationalen Vorschriften
4. Lagerung von Ausrüstungen/ Geräten. Die Lagerung von Ausrüstungen muss in Übereinstimmung mit den Anweisungen des Herstellers erfolgen.
5. Lagerung von verpackter (unverkaufter) Ausrüstung. Der Schutz des Lagerungspakets muss so konstruiert sein, dass eine mechanische Beschädigung des Geräts im Inneren des Pakets nicht zu einem Leck der Kältemittelfüllung führt. Die maximale Anzahl von Geräte, die zusammen gelagert werden dürfen, wird durch örtliche Vorschriften bestimmt.
6. Das Gerät ist so zu lagern, dass es zu keinen mechanischen Schäden kommt.
7. Allgemeiner Arbeitsbereich  
Das gesamte Wartungspersonal und andere im örtlichen Bereich tätige Personen sind über die Art der auszuführenden Arbeiten zu unterrichten. Arbeiten in beengten Räumen sind zu vermeiden. Der Arbeitsbereich ist abzugrenzen. Es ist im Arbeitsbereich durch die

Kontrolle von entflammbarem Material für Sicherheit zu sorgen.

### 2. Installation

#### Wichtig

1. Diese Klimaanlage kann im Innenbereich beliebig bewegt werden. Das Gerät beim Standortwechsel in aufrechter Position halten. Die Klimaanlage ist auf einer ebenen Oberfläche aufzustellen. Diese Klimaanlage nicht in einem Badezimmer oder einem anderen Feuchtbereich installieren oder betreiben. Da die tragbare Klimaanlage über Räder verfügt, ist ein Standortwechsel einfach. Wenn es heiß wird, ist die tragbare Klimaanlage einfach in den Raum zu bewegen, damit sie schnell mit der Kühlung des Raumes beginnen kann. Die Klimaanlage arbeitet in einem geschlossenen Bereich am effektivsten. Alle Türen, Fenster und andere Außenöffnungen des Raums schließen. Die Wirksamkeit der Klimaanlage hängt von der Temperatur und der Luftfeuchtigkeit ab.

2. Die Klimaanlage an einem Ort aufstellen, der den Luftstrom durch die Vorderseite des Geräts nicht einschränkt.

3. Eine Klimaanlage in einem Raum hat wenig oder gar keine

Wirkung beim Trocknen eines angrenzenden geschlossenen Lagerbereichs wie z. B. in einem

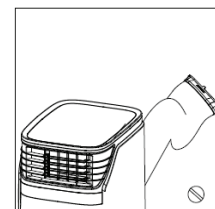
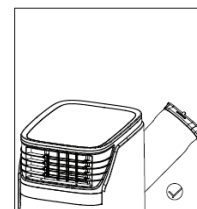
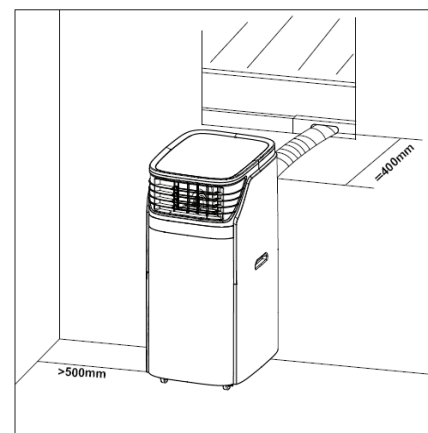
Schrank, es sei denn, es ist eine ausreichende Luftzirkulation in und aus dem Bereich heraus vorhanden. Eine tragbare Klimaanlage leitet die Wärme aus dem Gerät über einen Lüftungsschlauch durch ein Fenster oder Abluftventil ab.

4. Verlängern Sie den Abluftschlauch auf

eine Länge von nicht mehr als 400 mm. Der Abluftschlauch muss parallel gehalten werden und darf nicht nach oben oder unten gekrümmt werden.

5. Zwischen Klimaanlage und nächstgelegenen Objekt sollte ein Mindestabstand von 50 cm vorhanden sein. Siehe Beispiel in der Abbildung.

6. Wenn dieses Gerät abzutauen beginnt, wird das Wort „DF“ auf der LED angezeigt



## PRODUKTBESCHREIBUNG

### 3. Produktbeschreibung

#### A

1. Abluftschlauch
2. Fensteranschluss optional (ist nicht im Lieferumfang enthalten)
3. Fensterbausatz
4. Dübel
5. Batterien
6. Fernbedienung
7. Anschluss für Kühlluftauslass (optional)

#### B

1. Produktansichten

#### C

1. Kühlluftauslass
2. Bedienfeld
3. Runder Adapter (Ende)
4. Abluftschlauch
5. Griff auf der rechten Seite
6. Heißluftauslass
7. Ablaufloch oben
8. Kühlluft-Ansauggitter
9. Griff auf der linken Seite
10. Heißluft-Ansauggitter
11. Ablaufloch unten

#### D

1. Produktansicht von hinten

#### E

1. Produkt-Draufsicht

#### F

1. EINSCHALTASTE
2. FUNKTION
3. TEMPERATUR-EINSTELLTASTE (AUF)
4. TEMPERATUR-EINSTELLTASTE (AB)
5. LED ANZEIGE
6. DREHZAHL
7. PROGRAMMIERBARE ZEITSCHALTUHR
8. SCHLAFSTEUERUNGSFUNKTION
9. SCHWENKEN

#### G

1. Ansicht Entladung des Luftfilters

#### H

1. Schematische Darstellung der Filtersiebbereinigung

#### I

1. POWER—Ein/Aus-Schalter
2. FUNC—Funktion „MODUS“-Wahlschalter
3. TIMER—Stundenprogrammierung
4. AUTO—Automatische Lüfterdrehzahl
5. HI—Hohe Lüfterdrehzahl
6. MID—Mittlere Lüfterdrehzahl
7. LOW—Niedrige Lüfterdrehzahl
8. SLEEP—Nachtbetriebsschalter
9. TEMP.—Temperatúrauswahl
10. SWING—Schwenken

#### J

1. Installation der Fernbedienung. Verwenden Sie nur 2 AAA 1,5 V-Batterien

#### K

1. Drehen Sie den Abluftschlauch in den Schlauchverbinder.

#### L

1. Einführung in den Einbau der Abluftschlauchinstallation

#### M

1. Installation Fensterschieber-Bausatz

#### N

1. Steckbohrung für Fensterbausatz

#### O

1. Abbildung des Wasserauslasses

## FUNKTION DER BETRIEBSARTEN UND INSTALLATIONSBESCHREIBUNGEN

### A. Zubehör

Überprüfen Sie nach dem Auspacken, ob das oben genannte Zubehör enthalten ist, und überprüfen Sie dessen Zweck in der Installationseinleitung dieser Anleitung. Der Anschluss für den Kühlluftauslass ist optional.

### B. Mobile Klimaanlage

#### J. Aussehen und Funktion der Fernsteuerung.

Hinweise: - Lassen Sie die Fernbedienung nicht fallen. - Stellen Sie die Fernbedienung nicht an einem Ort auf, der direktem Sonnenlicht ausgesetzt ist.

#### M. Einführung in die Bedienung

Vor Beginn der Arbeiten in diesem Abschnitt:

- 1) Suchen Sie einen Ort, in dessen Nähe es eine Stromversorgung gibt.
- 2) Bringen Sie den Abluftschlauch an, und passen Sie die Fensterposition an.
- 3) Ablassschlauch gut anschließen (nur bei Verwendung des Heizmodells);
- 4) Stecken Sie das Netzkabel in eine geeignete Steckdose 220~240 VAC / 50 Hz;
- 5) Drücken Sie die Taste POWER, um die Klimaanlage einzuschalten.

#### K&L. Einführung in die Installation des Abluftschlauchs

##### A) Vorübergehende Installation

1. Drehen Sie den Abluftschlauch in den Schlauchverbinder und den Auslass an der Rückseite des Klimageräts.
2. Führen Sie das andere Ende des Abluftschlauchs zur nahen Fensterbank.

N. Installation des Fensterschieber-Satzes  
Die Installation des Fensterschieber-Satzes ist meistens „horizontal“ und „vertikal“. Überprüfen Sie, wie in Abb.5 und Abb.5a dargestellt, vor dem Einbau die minimale und maximale Größe des Fensters.

1. Installieren Sie den Fensterschieber-Satz in das Fenster;
2. Passen Sie die Länge des Fensterschieber-Satzes entsprechend der Fensterbreite oder -höhe an und befestigen Sie ihn mit dem Dübel;
3. Den Schlauch für den Fensteranschluss in das Loch des Fenster-Satzes führen.

O. Alarmfunktion für vollen Wassertank  
Der innere Wassertank in der Klimaanlage

hat einen Wasserstand-Sicherheitsschalter, der den Wasserstand kontrolliert. Wenn der Wasserstand eine bestimmte Höhe erreicht hat, leuchtet die Anzeigeleuchte für den vollen Wassertank auf. (wenn der Wassertank voll ist, entfernen Sie den Gummistopfen an der Unterseite des Geräts, um das gesamte Wasser wird nach außen abzulassen)

***Es ist sehr wichtig, dass der Filter regelmäßig gereinigt wird; andernfalls kann sich Kapazität der Klimaanlage verringern und das Gerät ernsthaft beschädigt werden.***

- 1) Vor der Reinigung muss das Gerät unbedingt von der elektrischen Stromversorgung getrennt werden;
- 2) Verwenden Sie zum Reinigen des Geräts kein Benzin oder andere Chemikalien;
- 3) Das Gerät nicht direkt waschen;
- 4) Wenn die Klimaanlage beschädigt ist, wenden Sie sich bitte an den Händler oder die Reparaturwerkstatt.

#### 1. Luftfilter

-Wenn der Luftfilter durch Staub/Schmutz verstopft, ist der Luftfilter alle zwei Wochen zu reinigen.

##### - Ausbau

Öffnen Sie das Lufteinlassgitter und entnehmen Sie den Luftfilter.

##### -Reinigung

Reinigen Sie den Luftfilter mit neutralem Reinigungsmittel in lauwarmem Zustand (40°C) und trocknen Sie ihn im Schatten.

##### -Einbau

Setzen Sie den Luftfilter in das Ansauggitter ein und setzen Sie die Komponenten wieder ein wie sie waren.

2. Reinigen der Oberfläche der Klimaanlage. Zuerst die Oberfläche mit einem neutralen Reinigungsmittel und einem feuchten Tuch reinigen und dann mit einem trockenen Tuch abwischen.

#### E. Vor Gebrauch

Überprüfen Sie, ob der Abluftschlauch richtig montiert wurde. Vorsichtsmaßnahmen bei Kühlen und Entfeuchten: - Bei der Verwendung von Kühl- und Entfeuchtungsfunktionen ist ein Intervall von min-

destens 3 Minuten zwischen jeder Betätigung der EIN/AUS-Taste einzuhalten.  
-Stromversorgung entspricht den Anforderungen.

-Die Steckdose ist für Wechselstrom geeignet.

-Eine Steckdose darf nicht mit anderen Geräten geteilt werden.

-Die Stromversorgung ist 220-240 VAC, 50 Hz

Wenn nicht eingesteckt: Alle Tasten und Anzeigeleuchten sind nicht sichtbar.

Wenn eingesteckt: Die Anzeigeleuchte der Einschalttaste und der Zeitschaltuhr-Taste leuchtet halb auf

#### 1. EINSCHALTSTASTE

Drücken, um das Gerät „EIN“- oder „AUS“-zuschalten

#### 2. FUNKTION

Drücken Sie diese Taste, um Kühlen, Entfeuchten oder Belüften zu wählen.

#### 3. TEMPERATUR-EINSTELLTASTE (AUF)

Während der Kühlfunktion: Diese Taste erhöht die voreingestellte Temperatur bei jedem Tastendruck um 1°C, wobei die Höchstgrenze 30°C beträgt. Während der Heizfunktion (nur Modell Duo) erhöht diese Taste bei jedem Drücken die Zeit um eine Stunde und erhöht den Zyklus.

#### 4. TEMPERATUR-EINSTELLTASTE (AB)

Während der Kühlfunktion: Diese Taste senkt die voreingestellte Temperatur bei jedem Tastendruck um 1°C, wobei die Untergrenze 17°C ist. During heating function (only Duo model) this button raises the preset temperature by 1°C each time it is pressed, with the maximum limit set at 30°C. Während der Zeitschaltuhr-Funktion: Verringern der Zeitschaltuhr-Zeit. Diese Taste verkürzt die Zeit bei jedem Drücken um 1 Stunde und verringert damit den Zyklus.

#### 5. LED ANZEIGE

Die Anzeige zeigt die aktuell eingestellte Temperatur oder die Zeitschaltuhr-Einstellung an. Wenn die eingestellte Temperatur oder die Zeitschaltuhr verstellt wird, wird die neue Einstellung angezeigt, und die Anzeige zeigt wieder die aktuell eingestellte Temperatur an.

※ Die Anzeige wird auch zum Anzeigen von Fehlercodes verwendet, falls ein Feh-

## FUNKTION DER BETRIEBSARTEN UND INSTALLATIONSBESCHREIBUNGEN

ler auftritt. Siehe FEHLERCODES.

### 6. DREHZAHL

**Kühlung:** Stellen Sie Lüfterdrehzahl durch Drücken entweder auf LOW (niedrig), MEDIUM (mittel), HIGH (hoch) oder AUTO (automatisch) ein. Wenn „AUTO“ gewählt wird, wird entsprechend dem Unterschied zwischen der eingestellten Temperatur und der Umgebungstemperatur automatisch „HIGH“ (hoch) oder „MEDIUM“ (mittel) oder „LOW“ (niedrig) gewählt.  
**Lüfter:** Stellen Sie Lüfterdrehzahl durch Drücken entweder auf LOW (niedrig), MEDIUM (mittel), HIGH (hoch) oder AUTO (automatisch) ein.

\*Bitte beachten Sie, dass die automatische Windgeschwindigkeit nur im Heiz- (nur Modell Duo) und Kühlmodus eingestellt werden kann.

**Hinweis:** Bei der Entfeuchtungsfunktion ist diese Taste deaktiviert, da das Gerät so definiert ist, dass es im Entfeuchtmodus mit niedriger Drehzahl arbeitet.

### 7. PROGRAMMIERBARE ZEITSCHALTUHR

**EIN/AUS-Taste für die Programmierbare Zeitschaltuhr. ZEITSCHALTUHR EIN:** Die Zeitschaltuhr dient zum automatischen Einschalten des Geräts nach Ablauf der eingestellten Zeit.

1) Drücken Sie im Bereitschaftszustand die „TIMER“-Taste, um die gewünschte Zeit einzustellen.

2) Sobald die eingestellte Stunde abgelaufen ist, schaltet sich das Gerät automatisch ein.

3) Drücken Sie die „POWER“-Taste vor Ablauf der Zeit, um die Einstellzeit abbrechen und das Gerät schaltet sich ein.  
4) Sie können die Funktion und die Lüfterdrehzahl während der Einstellung der Zeitschaltuhr einstellen.

**ZEITSCHALTUHR AUS:**

Die Zeitschaltuhr dient zum automatischen Ausschalten des Geräts nach Ablauf der ausgestellten Zeit.

1) Drücken Sie während des Betriebs die „TIMER“-Taste, um die gewünschte Zeit einzustellen.

2) Sobald die eingestellte Stunde abgelaufen ist, schaltet sich das Gerät automa-

tisch aus.

3) Drücken Sie die „POWER“-Taste vor Ablauf der Zeit, um die Einstellzeit abbrechen und das Gerät schaltet sich aus.

### 8. SCHLAFSTEUERUNGSFUNKTION

1) Drücken Sie im Kühlmodus die SLEEP-Taste, um die Temperatur einzustellen.

Sie steigt nach einer Stunde um 1° und maximal um 2° nach 2 Stunden.

2) Durch erneutes Drücken der SLEEP-Taste wird die Einstellung abgebrochen.

### 9. SCHWENKEN

Drücken Sie diese Taste, um die Lamellen am Luftauslass zu schwenken. Der Vorgang stoppt, wenn diese Taste erneut gedrückt wird.

### ALARM

Wenn der Wassertank voll ist, wird auf dem Anzeigefeld „E4“ angezeigt. Um den Betrieb wieder aufzunehmen, entfernen Sie die Gummikappe des Ablassschlauchs, um zunächst das Wasser abzulassen. Die Warnung „E4“ verschwindet nach dem Ablassen, und Sie können das Gerät durch Drücken der POWER-Taste wieder einschalten.

### Wartung

Reinigen Sie das Gerät mit einem weichen, feuchten Tuch. Verwenden Sie keine Lösungsmittel oder starken Reinigungsmittel, da dies die Oberfläche des Geräts beschädigen könnte.

### Service

Wenn die Klimaanlage gewartet werden muss, müssen Sie sich zunächst an Ihren nächsten Händler wenden. Für alle Garantieansprüche ist ein Kaufnachweis erforderlich.

### Lagerungsvorschriften

**Lagerung am Jahreszeitende**

1) Schrauben Sie den Ablassdeckel ab und ziehen Sie den Stopfen heraus, um das Kondenswasser vollständig abzulassen.

2) Lassen Sie das Gerät einen halben Tag lang im Gebläsemodus laufen, um das Innere des Geräts vollständig zu trocknen, damit es nicht schimmelt.

3) Schalten Sie das Gerät aus, ziehen Sie den Stecker heraus, wickeln Sie das Netzkabel um die Kabelwickelsäule, stecken Sie den Stecker in das Universalbefestigungsloch an der Rückseite des Geräts, und bringen Sie den Wasserstopfen und die Ablassabdeckung wieder an.

4) Entfernen Sie die Wärmeabluftschlauchbaugruppe, reinigen Sie sie und bewahren Sie sie ordnungsgemäß auf.

5) Verpacken Sie das Klimagerät ordnungsgemäß mit einer weichen Plastiktüte und stellen Sie es an einem trockenen Ort mit geeigneten Maßnahmen gegen Staub ab, und halten Sie das Gerät von Kindern fern.

6) Nehmen Sie die Batterien aus der Fernbedienung heraus und bewahren Sie sie ordnungsgemäß auf.

**Hinweis:**

Stellen Sie sicher, dass das Gerät an einem trockenen Ort gelagert wird. Alle Zubehörteile der Einheit sind zusammen und ordnungsgemäß geschützt aufzubewahren.

Netzkabelhalter und Universalsteckdose schützen das Netzkabel gut.

Intelligent, umweltfreundlich und energiesparend mit selbstverdampfendem Kühlsystem.

24-Stunden-Timer-Funktion, einzigartige Ein/Aus-Erinnerungsmusik.

3,5-minütiger verzögerter Neustartschutz für den Kompressor und andere mehrfache Schutzfunktionen.

PROBLEM	URSACHE	BEHEBUNG
Das Gerät kann nicht gestartet werden.	Ausfall der Stromversorgung Wassertank voll und Symbolbeleuchtung Umgebungstemperatur zu niedrig oder zu hoch. Die Raumtemperatur ist im Kühlbetrieb niedriger bzw. im Heizbetrieb höher als die Solltemperatur.	Das Gerät an eine stromführende Steckdose anschließen und einschalten. Das im Gerät vorhandene Wasser ablassen. Es wird empfohlen, dieses Gerät von 8 bis 35 Grad Celsius einzusetzen Änderung der Solltemperatur
Schlechte Kühlleistung	Direkte Sonneneinstrahlung Die Türen und Fenster sind offen, der Raum ist überfüllt oder es gibt andere Wärmequellen. Filter verschmutzt. Luftzufuhr oder Luftausgang verstopft.	Den Fenstervorhang schließen. Die Tür und das Fenster schließen und andere Wärmequellen entfernen. Das Filternetz reinigen oder austauschen. Die Verstopfung beseitigen.
Hoher Geräuschpegel	Das Gerät steht auf einer unebenen Fläche.	Das Gerät an einem flachen und stabilen Ort aufstellen (dies kann Lärm reduzieren).
Der Kompressor funktioniert nicht.	Auslösung des Überhitzungsschutzes	Warten, bis die Temperatur wieder gesunken ist, dann wird das Gerät automatisch wieder eingeschaltet.
Die Fernbedienung funktioniert nicht.	Zu große Entfernung Die Fernbedienung war nicht auf den Signalempfänger des Geräts ausgerichtet. Die Batterien liefern keinen Strom.	Die Fernbedienung in die Nähe der Klimaanlage bringen und die Funkverbindung am Signalempfänger des Geräts sicherstellen. Die Batterien austauschen.
Bei Problemen mit dem Luftentfeuchter siehe Fehlerbehebung weiter unten. Wenn keine der nachstehend aufgeführten Maßnahmen den gewünschten Erfolg bringt, ist der Händler um Wartung der Klimaanlage zu bitten.		

Fehlercodes	URSACHE	BEHEBUNG
E1 Code	Elektrischer Kurzschluss sowohl am Temperatursensor als auch an der Leiterplatte	Wenden Sie sich zur Reparatur an einen Elektriker
E2 Code	Elektrischer Kurzschluss des Temperaturfühlers Kupferrohr und Leiterplatten-Verkabelung	Wenden Sie sich zur Reparatur an einen Elektriker
E4 Code	Zeigt an, dass der Wassertank voll ist oder der Kontakt mit dem Netzstecker ist schlecht	Der Benutzer muss den Gummistopfen, der sich an der Unterseite des Geräts befindet, herausziehen, um das Wasser abzulassen. Oder es ist zu prüfen, ob der Netzstecker gut sitzt

## Garantien

2 Jahre Verbrauchergarantie auf Produktionsfehler. Es ist zu beachten, dass die Garantie nur bei Vorlage der Quittung gilt. Die Garantie gilt nur, wenn das Produkt in Übereinstimmung mit den Anweisungen und Sicherheitshinweisen in diesem Handbuch verwendet wird. Die Garantie deckt keine Schäden ab, die durch unsachgemäße Handhabung des Produkts verursacht werden.

**HINWEIS:** Die 2-Jahres-Garantie gilt nur für Verbraucher und nicht bei gewerblicher Nutzung des Geräts.



### HINWEIS:

Registrieren Sie sich bei [www.warrantywoods.com](http://www.warrantywoods.com). Dort erfahren Sie, wie Sie eine erweiterte Garantie erhalten. Weitere Informationen finden Sie unter [www.woods.se/de](http://www.woods.se/de).

### Empfohlene Betriebsgrenzwerte

Die beste Betriebsumgebungstemperatur für die Kühlung beträgt 17-35 °C. Spezifikation der Sicherung: 5ET oder SMT, 3,15A, 250VAC.

TECHNISCHE DATEN	Palermo 18K	Palermo 18K Duo A+	Palermo 22K
Kühlleistung	5,3 KW	5,3KW	6,5 KW
Heizleistung		5,0KW	
Stromverbrauch Kühlung/Heizung	2,030 KW	1,7KW/1,65KW	2,500 KW
Umluftleistung:	950 m <sup>3</sup> /h	950m <sup>3</sup> / h	950 m <sup>3</sup> /h
Energieklasse	A	A+	A
Entfeuchtung	90 L/24 h	90 L / 24h	120 L/24 h
Temperatureinstellung	17-30 °C	17-30°C	17-30 °C
Betriebstemperatur Kühlung/Heizung	16-35 °C	16-35°C / heating7-23°C	16-35 °C
EER Kühlung/Heizung	2,6	3,1/ 3,0	2,6
Kältemittel	R290/264g	R290/250g	R290/369g
Geräuschpegel in Dezibel	65dB	65dB	65dB
Gewicht	51 kg/60 kg	51,5 kg/60,5 kg	52 kg/61 kg
Abmessungen in mm, L x B x H	540 x 695 x 1140	540x695x1140	540 x 695 x 1140

\*Technische Änderungen und Verbesserungen vorbehalten. Alle Angaben sind Richtwerte. Die tatsächlichen Werte können aufgrund von äußeren Einflüssen wie Temperatur, Belüftung und Luftfeuchtigkeit abweichen.



#### Hinweis: Umweltschutz und Entsorgung

- Der Verbraucher ist gesetzlich dazu verpflichtet, elektronische Geräte, Lampen und Batterien am Ende ihrer Lebensdauer ordnungsgemäß zu entsorgen.
- An den öffentlichen Sammelstellen oder bei Händlern können diese unentgeltlich zurückgegeben werden.
- Die Löschung der Personenbezogenen Daten liegt in der Eigenverantwortung des Verbrauchers.
- Leuchtmittel und Batterien, welche gefahrlos entnommen werden können und nicht fest verbaut sind, müssen zur separaten Entsorgung vorab entnommen werden.
- Das Landesrecht regelt die Details der rechtskonformen Entsorgung.
- Die Kennzeichnung mit der durchgestrichenen Mülltonne markiert Elektrogeräte und Batterien, die nach ihrer Lebensdauer auf keinen Fall im Hausmüll entsorgt werden dürfen.
- Unter der Mülltonne angebrachte Symbole, kennzeichnen evtl. enthaltene Inhaltsstoffe (Blei = Pb, Quecksilber = Hg, Cadmium = Cd).
- Diese Trennung ist nötig, da Batterien und Elektrogeräte sowohl wertvolle Ressourcen sind als auch für den Menschen und seine Umwelt schädliche Stoffe enthalten.
- Durch Verwertung, Sammlung und Wiederverwendung der hierfür geeigneten Batterien und Elektrogeräte tragen Sie zum Erhalt und Schutz der Umwelt und der menschlichen Gesundheit bei.

## WOOD'S POUR UN AIR INTÉRIEUR PROPRE ET SAIN

La marque Wood's est née avec la famille Wood's il y a plus de 65 ans dans la ville canadienne de Guelph, dans l'Ontario. C'est là que Wood's a commencé à développer et à fabriquer des déshumidificateurs en 1950. Depuis, Wood's a aidé plusieurs centaines de milliers de foyers à empêcher les dommages provoqués par l'humidité et la moisissure et à respirer un air plus propre. Nos climatiseurs portatifs conviennent à une utilisation dans la plupart des climats, où la capacité est bonne même à différents niveaux de températures et d'humidité. Nos déshumidificateurs obtiennent de très bons résultats dans des lieux chauds, comme les pièces de vie, les bureaux ou les chambres. La quantité d'air chaud retirée par le climatiseur dépend de la température, du niveau d'humidité et du lieu d'installation. Les conditions météorologiques extérieures peuvent également affecter les performances de votre climatiseur.

Les climatiseurs de Wood's sont sûrs et ont été conçus pour une utilisation continue pendant de nombreuses années.

## COMMENT FONCTIONNE L'UNITÉ DE CLIMATISATION ?

La pression basse produit de l'air froid. L'élément principal du climatiseur est un réfrigérant, qui est converti en gaz à basse pression. Le processus « crée du froid », qui est transmis vers l'intérieur, tout en maintenant l'air chaud à l'extérieur.

Un réfrigérant liquide traverse une vanne d'expansion et s'écoule dans un tuyau où la pression est basse.

Le réfrigérant s'évapore et se transforme en gaz. Le processus absorbe la chaleur environnante et le tuyau est refroidi.

Un ventilateur souffle l'air froid dans la pièce. Le gaz traverse un compresseur, qui augmente la pression et convertit le gaz en liquide.

Lors de ce processus, la chaleur est libérée, qui est conduit aux tuyaux sur le côté opposé et soufflée par un ventilateur. Un thermostat éteint l'unité lorsque l'air intérieur est assez froid.

## 1. AVERTISSEMENTS DE SÉCURITÉ



Matériau inflammable. Cet appareil contient du R290/ Propane, un réfrigérant inflammable.



Consultez ce manuel pour les informations de sécurité.



Lire le manuel technique



Lire le manuel de l'opérateur.

## INFORMATIONS DE SÉCURITÉ

Avant l'installation et l'utilisation de l'appareil, lire attentivement les instructions fournies. Le fabricant n'est pas responsable en cas de blessures ou de dommages découlant d'une mauvaise installation et une utilisation incorrecte. Toujours conserver les instructions avec l'appareil pour s'y reporter ultérieurement.

## Sécurité des enfants et des personnes vulnérables

### AVERTISSEMENT



Risque de blessure ou d'invalidité permanente.

Cet appareil peut être utilisé par des enfants à partir de 8 ans et des personnes ayant des capacités physiques, sensorielles ou mentales réduites, ou un manque d'expérience et de connaissances, sous surveillance ou à condition d'avoir reçu ou des instructions concernant

l'utilisation de l'appareil de manière sûre et d'avoir compris les dangers impliqués.

Ne pas laisser les enfants jouer avec l'appareil.

Les enfants de moins de 3 ans doivent être tenus à l'écart, à moins d'être surveillés en permanence.

Tenir tous les emballages éloignés des enfants.

Le nettoyage et l'entretien ne doivent pas être effectués par des enfants sans surveillance.

## Sécurité générale

Cet appareil est destiné à être utilisé dans les applications domestiques et similaires, telles que : Pièce familiale, pièce de vie, cuisine du personnel dans les magasins, bureaux et autres environnements de travail. La plaque signalétique est située sur le côté ou l'arrière du climatiseur.

Maintenir les ouvertures de ventilation dégagées.

Ne pas utiliser de dispositifs mécaniques ou d'autres moyens pour accélérer le processus de dégivrage, autres que ceux recommandés par le fabricant.

L'appareil ne doit pas être entreposé dans une pièce avec des sources inflammables opérationnelles (par exemple, des flammes nues, un appareil à gaz ou un radiateur électrique). Ne pas percer ni brûler. Tenir compte du fait que les réfrigérants n'ont pas d'odeur. Ne pas utiliser de pulvérisation d'eau ni de vapeur pour nettoyer l'appareil. Nettoyer l'appareil à l'aide d'un chiffon doux humide. Utiliser uniquement des détergents neutres. Ne pas utiliser de produits abrasifs, de tissus de nettoyage abrasifs, de solvants ou

d'objets métalliques.

Si le cordon d'alimentation est endommagé, il doit être remplacé par le fabricant, son centre de service agréé ou des personnes qualifiées du même type pour éviter tout danger.

## CONSIGNES DE SÉCURITÉ

### Installation

#### AVERTISSEMENT



Cet appareil ne doit être installé que par une personne qualifiée. Enlever tout l'emballage.

Ne pas installer ni utiliser un appareil endommagé. L'appareil doit être installé, utilisé et entreposé dans une pièce d'une surface de plancher supérieure à 13 m<sup>2</sup> (AC Palermo 18K) / 25 m<sup>2</sup> (AC Palermo 22K). Respecter les instructions d'installation fournies avec l'appareil.

Toujours déplacer l'appareil avec précaution car il est lourd. Toujours porter des gants de sécurité.

Tenir compte du fait que les réfrigérants n'ont pas d'odeur.

Veiller à ce que l'air puisse circuler autour de l'appareil.

Attendre au moins 4 heures avant de brancher l'appareil à l'alimentation, afin de permettre à l'huile de revenir dans le compresseur.

Ne pas installer l'appareil à proximité de radiateurs ou d'autres sources de chaleur.

Ne pas installer l'appareil exposé à lumière directe du soleil.

### Raccordement électrique

#### AVERTISSEMENT



Risque d'incendie et de choc électrique.

L'appareil doit être raccordé à une prise de terre.

Vérifier que les informations électriques de la plaque signalétique

correspondent à l'alimentation électrique. Si ce n'est pas le cas, contacter un électricien. Toujours utiliser une prise antichoc correctement installée.

Ne pas utiliser d'adaptateurs multifiches ni de rallonges.

Veiller à ne pas endommager les composants électriques (p. ex. fiche secteur, câble secteur).

Contactez le centre de service agréé ou un électricien pour changer les composants électriques.

Le câble secteur doit rester sous le niveau de la fiche secteur.

Brancher la fiche secteur à la prise secteur uniquement à la fin de l'installation.

Veiller à ce qu'il soit possible d'accéder à la prise de courant après l'installation.

Ne pas tirer sur le câble secteur pour débrancher l'appareil.

Toujours tirer sur la prise secteur.

Cet appareil nécessite un courant d'une intensité d'au moins 25 ampères pour que son compresseur fonctionne. Pour éviter un blocage de l'électricité de la maison, veuillez n'utiliser aucune rallonge pour cet appareil.

### Utilisation

#### AVERTISSEMENT



Risque de blessures, de brûlures, de chocs électriques ou d'incendie. Ne pas changer la spécification de cet appareil.

Veiller à ne pas endommager le circuit de réfrigérant. Il contient du propane (R290), un gaz naturel ayant un niveau élevé de compatibilité environnementale. Ce gaz est inflammable.

Si le circuit de réfrigérant est endommagé, vérifier qu'il n'y a

pas de flammes ni de sources d'inflammation dans la pièce.

Ventiler la pièce.

Ne pas placer de produits inflammables ou d'objets imbibés de produits inflammables près de l'appareil ou dessus.

Faites fonctionner cet appareil à une température ambiante de 35 degrés centigrade maximum.

Nettoyez périodiquement le filtre à air pour bénéficier du meilleur refroidissement. Lorsque l'appareil est éteint, veuillez patienter au moins 3,5 minutes avant de le redémarrer pour éviter d'endommager le compresseur. Lorsque vous allumez l'appareil, le ventilateur va fonctionner mais le compresseur ne va démarrer qu'après que l'alarme de refroidissement a clignoté pendant trois minutes.

Le climatiseur ne peut être branché que sur une alimentation ayant une impédance inférieure ou égale à 0,219 Ω. En cas de nécessité, veuillez consulter votre fournisseur d'électricité pour avoir ces informations d'impédance.

### Mise au rebut

#### AVERTISSEMENT



Risque de blessure.

Débrancher l'appareil de l'alimentation secteur.

Couper le câble secteur et le mettre au rebut.

Le circuit de réfrigérant de cet appareil est sans danger pour la couche d'ozone. Contacter l'autorité municipale pour savoir comment mettre correctement l'appareil au rebut.

Ne pas endommager la partie de l'unité de réfrigération qui se trouve près de l'échangeur de chaleur.

## RÉGLAGE DU CLIMATISEUR POUR INSTALLATION

### Transport, marquage et stockage des appareils

1. Transport d'équipement contenant des réfrigérants inflammables Conformité avec la réglementation du transport
2. Marquage d'équipement utilisant une signalisation Conformité avec la réglementation locale
3. Mise au rebut d'équipement utilisant des réfrigérants inflammables Conformité avec la réglementation nationale
4. Stockage d'équipement/ d'appareils Le stockage d'équipement doit s'effectuer conformément aux instructions du fabricant.
5. Stockage d'un équipement emballé (non vendu) Un emballage de protection pour le stockage doit être réalisé de sorte que des dommages mécaniques à l'équipement à l'intérieur ne provoquent pas de fuite de la charge de réfrigérant. Le nombre maximum d'appareils stockés ensemble sera déterminé par la réglementation locale.
6. L'appareil doit être stocké de manière à éviter que se produisent des dommages mécaniques.
7. Zone de travail générale Tout le personnel de maintenance et ceux travaillant à proximité doivent être informés de la nature du travail effectué. Le travail en espace confiné doit être évité. La zone autour de l'espace de travail doit être compartimentée. Vérifiez que

les conditions de travail dans la zone ont été sécurisées concernant les matériaux inflammables.

## 2. Installation

### Important

1. Ce climatiseur peut être déplacé à l'intérieur de manière commode ; maintenez l'unité droite lors de son déplacement. Le climatiseur sera placé sur une surface plate. Ne pas installer ou faire fonctionner ce climatiseur dans une salle de bain ou un autre environnement humide. Étant donné que le climatiseur est sur roues, il est aisé de le changer de place. Lorsque la chaleur augmente, il suffit de déplacer votre climatiseur portable dans la pièce pour refroidir rapidement l'espace. Le climatiseur doit être utilisé dans une pièce fermée pour être le plus efficace possible. Fermez toutes les portes, fenêtres et autres ouvertures à l'extérieur de la pièce. L'efficacité du climatiseur dépend de la température et du niveau d'humidité.

2. Placez le climatiseur dans un endroit qui ne bloque pas le débit d'air à travers l'avant de l'unité.

3. Un climatiseur fonctionnant dans une pièce aura peu ou pas d'effet pour sécher une zone de rangement fermée adjacente, comme une armoire, sauf s'il y a

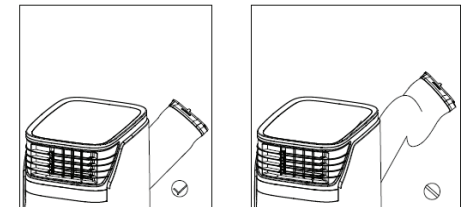
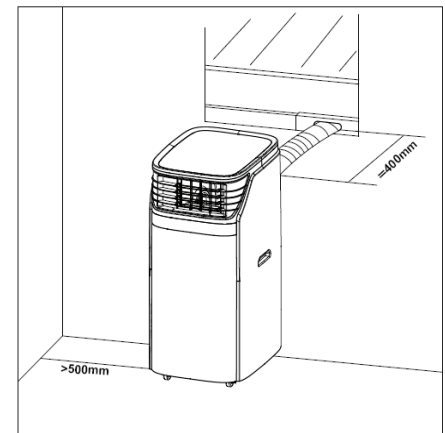
une circulation d'air entrant et sortant adéquate dans la zone. Un climatiseur portable évacue la chaleur de l'unité avec un tuyau de ventilation à travers une fenêtre ou une soupape d'air d'échappement.

4. Déployez le tuyau d'extraction jusqu'à une longueur de 400 mm maximum. Le tuyau d'extraction doit rester droit et n'être ni plié vers le haut ou le bas.

5. Il doit y avoir un minimum de 50 cm de distance entre le climatiseur et l'objet le plus proche.

Voir image pour référence.

6. Lorsque cet appareil commence à dégivrer, le mot "DF" est indiqué sur l'affichage à LED



## DESCRIPTION DU PRODUIT

### 3. Description du produit

#### A

1. Tuyau d'échappement
2. Connecteur de fenêtre en option (non inclus) Kit fenêtre
3. Goujon
4. Piles
5. Télécommande
6. Connecteur pour sortie d'air frais (en option)

#### B

1. Images du produit

#### C

1. Sortie d'air froid
2. Panneau de commande
3. Adaptateur rond (extrémité)
4. Tuyau d'extraction
5. Poignée du côté droit
6. Sortie d'air chaud
7. Orifice de vidange haut
8. Grille d'admission d'air froid
9. Poignée du côté gauche
10. Grille d'admission d'air chaud
11. Orifice de vidange bas

#### D

1. Images de l'arrière du produit

#### E

1. Image du dessus du produit

#### F

1. TOUCHE POWER (marche/arrêt)
2. FONCTION
3. TOUCHE DE REGULATION DE TEMPERATURE (AUGMENTER)
4. TOUCHE DE REGULATION DE TEMPERATURE (DIMINUER)
5. ECRAN LED
6. VITESSE
7. HORLOGE PROGRAMMABLE
8. FONCTION DE MISE EN VEILLE
9. SWING (oscillation)

#### G

1. Image du déchargement de la crépine

#### H

1. Diagramme schématique du nettoyage de la crépine

#### I

1. POWER—Interrupteur marche/arrêt
2. FUNC—Fonction sélecteur de "MODE"
3. TIMER—Programmation horaire
4. AUTO—Vitesse automatique de ventilateur
5. HI—Vitesse de ventilateur élevée
6. MID—Vitesse de ventilateur moyenne
7. LOW—Vitesse de ventilateur faible
8. SLEEP—Sélecteur de fonctionnement de nuit
9. TEMP.—Sélecteur de température
10. SWING—Oscillation

#### J

1. Installation électromagnétique de la télécommande. Utilisez uniquement 2 piles AAA de 1,5 V

#### K

1. Tourner le tuyau d'évacuation dans le connecteur de tuyau.

#### L

1. Introduction à l'installation du tuyau d'échappement

#### M

1. Installation du kit fenêtre coulissant

#### N

1. Alésage d'insertion pour kit fenêtre

#### O

1. Image de la sortie d'eau

## FNCTION DES MODES DE FNCTIONNEMENT ET DESCRIPTIONS D'INSTALLATION

### A. Accessoires

Après le déballage, contrôlez si les accessoires susmentionnés sont inclus et vérifiez leur finalité dans l'introduction à l'installation de ce manuel. Le connecteur de sortie d'air frais est en option.

### B. Climatiseur mobile

J. Apparence et fonction de la télécommande.

Remarques : - Ne laissez pas tomber la télécommande - Ne placez pas la télécommande dans un endroit exposé à la lumière directe du soleil.

### M. Introduction au fonctionnement

Avant de commencer les opérations dans cette section :

- 1) Trouvez un endroit où il y a une alimentation électrique à proximité.
- 2) Installez le tuyau d'évacuation, et ajustez correctement la position de la fenêtre.
- 3) Raccordez correctement le tuyau d'évacuation (uniquement pour l'utilisation du modèle de chauffage) ;
- 4) Insérez le cordon d'alimentation dans une prise AC220~240V/50Hz mise à la terre ;
- 5) Appuyez sur le bouton POWER afin d'allumer le climatiseur.

K&L. Introduction à l'installation du tuyau d'évacuation

#### A) Installation temporaire

1. Tournez le tuyau d'évacuation dans le connecteur de tuyau et la sortie arrière du climatiseur.
2. Placez l'autre extrémité du tuyau d'évacuation sur le rebord de fenêtre le plus proche.

N. Installation du kit coulissant de fenêtre  
Le mode d'installation du kit coulissant de fenêtre se fait principalement à « l'horizontale » et à « la verticale ». Comme indiqué aux fig.5 et fig.5a, vérifiez la taille minimale et maximale de la fenêtre avant l'installation.

1. Installez le kit de fenêtre sur la fenêtre ;
2. Ajustez la longueur du kit coulissant en fonction de la largeur ou de la hauteur de la fenêtre, et fixez-le avec la cheville ;
3. Insérez le tuyau du connecteur de fenêtre dans le trou du kit de fenêtre.

O. Fonction d'alarme du réservoir d'eau interne « plein »

Le réservoir d'eau interne du climatiseur est équipé d'un interrupteur de sécurité de niveau d'eau, il contrôle le niveau d'eau. Lorsque le niveau d'eau atteint une hauteur prévue, le voyant de niveau d'eau plein s'allume. (lorsque le niveau d'eau est au maximum, veuillez retirer le blocage en caoutchouc situé au fond de l'appareil, ce qui évacuera toute l'eau à l'extérieur).

H. Déclaration d'explication de l'entretien :

***Il est très important de nettoyer régulièrement le filtre ; sinon le climatiseur pourrait perdre de sa capacité et même être sérieusement endommagé.***

- 1) Avant le nettoyage, veillez à débrancher l'appareil de toute prise électrique ;
- 2) N'utilisez pas d'essence ou d'autres produits chimiques pour nettoyer l'appareil ;
- 3) Ne lavez pas l'appareil directement ;
- 4) Si le climatiseur est endommagé, veuillez contacter le revendeur ou l'atelier de réparation.

#### 1. Filtre à Air

-Si le filtre à air est bouché par de la poussière/des saletés, il doit être nettoyé une fois toutes les deux semaines.

-Démontage

Ouvrez la grille d'entrée d'air et enlevez le filtre à air.

-Nettoyage

Nettoyez le filtre à air avec un détergent neutre à 40°C et séchez-le à l'ombre.

-Montage

En plaçant le filtre à air dans la grille d'entrée, remplacez les composants tels quels.

#### 2. Nettoyez la surface du climatiseur.

Nettoyez dans un premier temps la surface avec un détergent neutre et un chiffon humide, puis essuyez-la avec un chiffon sec.

#### E. Avant l'utilisation

Assurez-vous que le tuyau d'évacuation ait été correctement monté. Précautions pour les opérations de refroidissement et de déshumidification : - lorsque vous utilisez les fonctions de refroidissement et de

déshumidification, respectez un intervalle d'au moins 3 minutes entre chaque MISE EN MARCHÉ.

-L'alimentation électrique est conforme aux exigences.

-La prise est pour une utilisation en courant alternatif.

-Ne partagez pas une prise avec d'autres appareils.

-L'alimentation électrique est AC220-240V, 50Hz

Lorsqu'il est débranché : Aucune touche ou indicateur n'est visible. Lorsque débranché : Le voyant de la touche d'alimentation et de la touche d'horloge est à moitié allumé pour le fonctionnement.

#### 1. TOUCHE POWER (marche/arrêt)

Appuyez pour mettre l'appareil "ON" ou "OFF"

#### 2. FONCTION

Appuyez sur cette touche pour sélectionner le refroidissement, la déshumidification ou le ventilateur.

#### 3. TOUCHE DE REGULATION DE TEMPERATURE (AUGMENTER)

Pendant la fonction de refroidissement : Cette touche augmente la température pré réglée de 1 °C à chaque pression et la limite maximum est de 30 °C. Pendant la fonction de chauffage (modèle Duo uniquement), cette touche permet d'augmenter le temps de cuisson d'une heure à chaque pression, ainsi que le cycle. Pendant la fonction de temporisation : Augmentation de la durée de fonctionnement, Cette touche augmente la durée de 1 heure à chaque pression et augmente le cycle

#### 4. TOUCHE DE REGULATION DE TEMPERATURE (DIMINUER)

Pendant la fonction de refroidissement : Cette touche diminue la température pré réglée de 1 °C à chaque pression et la limite inférieure est de 17°. Pendant la fonction de chauffage (modèle Duo uniquement), cette touche permet d'augmenter la température pré réglée de 1°C à chaque pression, la limite maximale étant fixée à 30°C. Pendant la fonction de temporisation : Diminution de la durée de fonctionnement, Cette touche diminue la durée de 1 heure à chaque pression et réduction du cycle.

## FONCTION DES MODES DE FONCTIONNEMENT ET DESCRIPTIONS D'INSTALLATION

### 5. ECRAN LED

L'écran affiche la température de réglage en cours ou le réglage de durée. Lorsque la température réglée ou la durée est réglée, le nouveau réglage est indiqué lorsque l'affichage revient à la température réglée en cours.

※ L'écran permet également d'afficher les codes d'erreur en cas de panne, voir **CODES D'ERREUR**.

### 6. VITESSE

Refroidissement : Appuyez pour sélectionner la vitesse de ventilateur FAIBLE, MOYENNE, ELEVEE ou AUTO. Si "AUTO" est sélectionné, "HIGH" ou "MEDIUM" ou "LOW" sera choisi automatiquement selon la différence entre le réglage de la température et la température ambiante. Température ambiante-Température de réglage > 4°C : la machine est à la vitesse haute du ventilateur.

2°C ≤ Température ambiante-Température de réglage ≤ 4°C : la machine est à la vitesse moyenne du ventilateur.

0°C ≤ Température ambiante-Température de réglage ≤ 2°C : la machine est à la vitesse basse du ventilateur.

Ventilateur : Appuyez pour sélectionner la vitesse de ventilateur FAIBLE, MOYENNE, ELEVEE ou AUTO.

\*Veuillez noter que la vitesse automatique du vent ne peut être réglée qu'en mode chauffage (modèle Duo uniquement) et en mode refroidissement.

Remarque : Dans les fonction de déshumidification, cette touche est invalide car l'appareil est réglé pour être à vitesse faible en mode déshumidification.

### 7. HORLOGE PROGRAMMABLE

Touche horloge programmable ON/OFF. **TIMER-ON** : La touche timer-on (minuteur actif) est utilisée pour allumer automatiquement l'appareil une fois que la durée réglée est achevée.

1) Appuyez sur la touche "TIMER" (minuteur) à l'état de veille pour régler l'heure que vous désirez.

2) Une fois que le délai réglé est achevé, l'appareil s'allume automatiquement.

3) Appuyez sur la touche "POWER" avant l'expiration du délai, la durée réglée sera annulée et l'appareil va s'allumer.

4) Vous pouvez régler la fonction et la vitesse de ventilateur lors du réglage de la durée.

**TIMER-OFF**:

La touche timer-off (minuteur désactivé) est utilisée pour éteindre automatiquement l'appareil une fois que la durée réglée est achevée.

1) Appuyez sur la touche "TIMER" (minuteur) pendant le fonctionnement pour régler l'heure que vous désirez.

2) Une fois que le délai réglé est achevé, l'appareil s'éteint automatiquement.

3) Appuyez sur la touche "POWER" avant l'expiration du délai, la durée réglée sera annulée et l'appareil va s'éteindre.

### 8. FONCTION DE MISE EN VEILLE

1) En mode de refroidissement, appuyez sur la touche SLEEP (veille) pour régler la température. La température va augmenter de 1° au bout d'une heure et au plus de 2° au bout de 2 heures.

2) Appuyez de nouveau sur la touche SLEEP (veille) pour annuler le réglage.

### 9. SWING (oscillation)

Appuyez sur cette touche pour faire osciller les pales à la sortie d'air, et appuyez de nouveau pour l'arrêter

### ALARM (alarme)

Lorsque le réservoir d'eau est plein, "E4" est affiché sur le panneau de commande. Pour reprendre le fonctionnement, retirez le bouchon de caoutchouc du tuyau de vidange pour vidanger d'abord l'eau. L'avertissement E4 disparaît après la vidange, et vous pouvez alors redémarrer l'appareil en appuyant sur la touche POWER.

### Maintenance

Nettoyez l'appareil avec un chiffon doux et humide. N'utilisez pas de solvants ou de nettoyeurs puissants, car cela pourrait endommager la surface de l'appareil.

### Entretien

Si le climatiseur doit être réparé, vous devez dans un premier temps contacter votre revendeur local. Une preuve d'achat est requise pour toute demande de garantie.

### Instructions de stockage

### Stockage de fin de saison

1) Dévissez le couvercle d'évacuation et retirez le bouchon afin d'évacuer complètement l'eau de condensation.

2) Laissez l'appareil fonctionner en mode ventilateur pendant une demi-journée afin de sécher complètement l'intérieur de l'appareil et afin d'éviter la formation de moisissures.

3) Éteignez l'appareil, retirez la fiche, puis enroulez le cordon d'alimentation autour de la colonne d'enroulement, insérez la fiche dans le trou de fixation universel situé sur le panneau arrière de l'appareil, installez le bouchon d'eau et le couvercle d'évacuation.

4) Retirez le tuyau d'évacuation de la chaleur, nettoyez-le et conservez-le correctement.

5) Emballez correctement le climatiseur dans un sac en plastique souple et mettez-le dans un endroit sec avec des mesures anti-poussière appropriées, et gardez l'appareil hors de portée des enfants.

6) Retirez les piles de la télécommande et conservez-les correctement.

### Remarque :

Veillez à ce que l'appareil soit stocké dans un endroit sec. Tous les accessoires de l'appareil doivent correctement être protégés ensemble

Le support du cordon d'alimentation et la prise universelle peuvent bien protéger le cordon d'alimentation.

Intelligent, écologique et économe en énergie grâce à un système de refroidissement auto-évaporatif.

Fonction de minuterie 24 heures, marche/arrêt unique rappelant la musique.

Protection du compresseur et d'autres fonctions de protection multiples, avec un délai de 3,5 minutes pour le redémarrage.

PROBLÈME	CAUSE	SOLUTION
L'unité ne parvient pas à démarrer	Défaillance d'alimentation Le réservoir d'eau est plein et son icône s'allume Température ambiante trop basse ou trop élevée La température de la pièce est inférieure à la température réglée en mode refroidissement ou plus élevée en mode chauffage	Branchez l'unité à une prise de courant sous tension et allumez-la Vidangez l'eau se trouvant dans l'unité. Il est recommandé d'utiliser cette unité entre 8-35 Changez la température réglée
Mauvais effets de refroidissement	Il n'y a pas de lumière directe du soleil Les portes et les fenêtres sont ouvertes, la pièce est encombrée ou il y a d'autres sources de chaleur Filtre sale Entrée d'air ou sortie d'air bouchée	Fermez le rideau de la fenêtre Fermez la porte et la fenêtre, retirez d'autres sources de chaleur Nettoyez ou remplacez le maillage du filtre Éliminez le blocage
Niveau sonore élevé	L'unité est placée sur une surface irrégulière.	Placez l'unité sur une surface ferme et solide (peut réduire le bruit)
Le compresseur ne fonctionne pas	Initiation de la protection de surchauffe	Attendez que la température diminue, l'unité redémarrera automatiquement
La télécommande ne fonctionne pas	Distance trop longue La télécommande n'a pas visé le récepteur de signaux sur l'unité. Les batteries n'ont pas d'électricité	Amenez la télécommande près du climatiseur et orientez-la vers le récepteur de signaux sur l'unité.  Remplacez les batteries
En cas de problèmes avec votre déshumidificateur, veuillez consulter les informations de dépannage ci-dessous. Si aucune des recommandations ne fonctionne, veuillez contacter votre détaillant pour la révision de votre climatiseur.		

Codes d'erreur	CAUSE	SOLUTION
Code E1	Court-circuit électrique sur la sonde de température et le PCB	Contactez un électricien pour la réparation
Code E2	Court-circuit électrique du tube de cuivre de la sonde de température et le câblage PCB	Contactez un électricien pour la réparation
Code E4	Indique que le réservoir est plein ou mauvais contact à la prise électrique	L'utilisateur doit retirer l'arrêt en caoutchouc situé au bas de l'appareil pour vidanger l'eau. Ou vérifier si la prise électrique est bien branchée

## Garanties

Garantie consommateur de 2 ans contre les défauts de production. Veuillez noter que la garantie est uniquement valable en produisant un reçu. La garantie est uniquement valable si le produit est utilisé conformément aux instructions et aux avertissements de sécurité indiqués dans ce manuel. La garantie ne couvre pas les dommages causés par la manipulation inadaptée du produit.

REMARQUE : La garantie de 2 ans est uniquement applicable aux consommateurs et pas à l'utilisation commerciale de l'unité.



### REMARQUE !

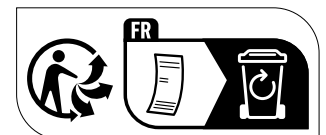
Inscrivez-vous à [www.warranty-woods.com](http://www.warranty-woods.com) et découvrez comment prolonger la garantie. Veuillez consulter [www.woods.se](http://www.woods.se) pour de plus amples informations.

### Limites conseillées lors de l'utilisation

La meilleure température ambiante de fonctionnement pour le refroidissement est de 17-35 °C. Paramètre du fusible : 5ET ou SMT, 3,15A, 250Vca.

CARACTÉRISTIQUES TECHNIQUES	Palermo 18K	Palermo 18K Duo A+	Palermo 22K
Capacité de refroidissement	5,3 KW	5,3KW	6,5 KW
Capacité de chauffage		5,0KW	
Consommation d'alimentation refroidissement/chauffage	2,030 KW	1,7KW/1,65KW	2,500 KW
Débit d'air	950 m <sup>3</sup> /h	950m <sup>3</sup> / h	950 m <sup>3</sup> /h
Classe d'énergie	A	A+	A
Déshumidification	90 L/24 h	90 L / 24h	120 L/24 h
Réglage de température	17-30 °C	17-30°C	17-30 °C
Température de fonctionnement refroidissement/chauffage	16-35 °C	16-35°C / heating7-23°C	16-35 °C
EER refroidissement/chauffage	2,6	3,1/ 3,0	2,6
Gaz réfrigérant	R290/264g	R290/250g	R290/369g
Niveaux sonores en décibels	65dB	65dB	65dB
Poids	51 kg/60 kg	51,5 kg/60,5 kg	52 kg/61 kg
Dimensions en mm, L x B x H	540 x 695 x 1140	540x695x1140	540 x 695 x 1140

\*Des modifications et des améliorations techniques peuvent être apportées. Toutes les valeurs sont approximatives et peuvent varier en raison des circonstances externes telles que la température, la ventilation et l'humidité.



Remarque : protection de l'environnement et élimination

- Le consommateur est légalement tenu de se débarrasser des appareils électroniques, des lampes et des piles en bonne et due forme à la fin de leur durée de vie.
- Ceux-ci peuvent être retournés gratuitement dans les points de collecte publics ou auprès des commerçants.
- La suppression des données personnelles relève de la responsabilité du consommateur.
- Les ampoules et les piles qui peuvent être retirées sans danger et qui ne sont pas fixées doivent être préalablement retirées pour être éliminées séparément.
- Le droit national régit les détails de l'élimination conforme au droit.
- Les appareils électriques et piles avec un symbole de poubelle barrée ne doivent en aucun cas être jetés avec les ordures ménagères après leur durée de vie.
- Les symboles apposés sous la poubelle indiquent les substances éventuellement contenues (plomb = Pb, mercure = Hg, cadmium = Cd).
- Ce tri est nécessaire, car les piles et les appareils électriques sont à la fois des ressources précieuses et contiennent des substances nocives pour l'homme et son environnement.
- En valorisant, collectant et réutilisant les piles et les appareils électriques adaptés à cet effet, vous contribuez à la préservation et à la protection de l'environnement et de la santé humaine.

## ELIJA WOOD'S SI QUIERE DISFRUTAR DE UN AIRE INTERIOR LIMPIO Y SALUDABLE

La marca Wood's nació con la familia Wood's hace más de 65 años en la ciudad canadiense de Guelph, Ontario. Aquí es donde Wood's empezó a desarrollar y fabricar deshumidificadores en 1950. Desde entonces, Wood's ha ayudado a varios cientos de miles de hogares a prevenir los daños que provoca el moho por la humedad y a respirar aire más limpio. Nuestros aires acondicionados portátiles son aptos para su uso en la mayoría de los climas, ya que la capacidad es buena incluso a diferentes temperaturas y niveles de humedad. Se utilizan con buenos resultados en instalaciones que acumulan calor, como salas de estar, oficinas o dormitorios. La cantidad de aire caliente que elimina el aire acondicionado depende de la temperatura, el nivel de humedad y la colocación. Las condiciones meteorológicas externas también pueden afectar al rendimiento del aire acondicionado.

Los aires acondicionados de Wood's son seguros en funcionamiento y están diseñados para su uso continuo durante muchos años.

### ¿CÓMO FUNCIONA LA UNIDAD DE AIRE ACONDICIONADO?

La baja presión da aire frío  
El elemento principal del aire acondicionado es un refrigerante que, a baja presión, se convierte en gas. El proceso «crea frío», que se transmite hacia adentro, manteniendo el aire caliente fuera.  
Un refrigerante líquido atraviesa una válvula de expansión y penetra en una tubería donde la presión es baja.  
El refrigerante se evapora y se convierte en un gas. El proceso absorbe el calor del entorno y la tubería se enfría.  
Un ventilador sopla el aire frío en la habitación.  
El gas atraviesa un compresor, que aumenta la presión y convierte el gas en líquido. En este proceso, se libera calor, que se lleva a las tuberías del lado opuesto y que expulsa un ventilador.  
Un termostato apaga la unidad cuando el aire interior está lo suficientemente frío.

## 1. ADVERTENCIAS DE SEGURIDAD



Material inflamable. Este electrodoméstico contiene R290/propano, un refrigerante inflamable.



Para obtener información sobre seguridad, consulte este manual.



Lea el Manual técnico



Lea el Manual del operador.

### INFORMACIÓN DE SEGURIDAD

Antes de la instalación y uso del electrodoméstico, lea detenidamente las instrucciones suministradas. El fabricante no es responsable de las lesiones y los daños provocados como consecuencia de una instalación y un uso incorrectos. Guarde siempre las instrucciones con el electrodoméstico para consultarlas en el futuro.

### Seguridad de los niños y de las personas vulnerables

#### ADVERTENCIA

Riesgo de lesiones o incapacidad permanente.  
Este electrodoméstico puede ser utilizado por niños de 8 años o más y personas con capacidades físicas, sensoriales o mentales reducidas o falta de experiencia y conocimientos, si se les ha dado supervisión o instrucciones sobre el uso del electrodoméstico de manera segura y comprenden los riesgos que implica. No permita que los niños jueguen

con el electrodoméstico.

Los niños menores de 3 años deben mantenerse alejados, a menos que estén continuamente supervisados. Mantenga todo el embalaje lejos de los niños.

La limpieza y el mantenimiento del usuario no se deben realizar por niños sin supervisión.

### Seguridad general

Este electrodoméstico está diseñado para su uso en aplicaciones domésticas y similares, tales como las siguientes: cuarto de estar, salón, áreas de cocina del personal en tiendas, oficinas y otros ambientes laborales. La placa de clasificación se encuentra en la parte lateral o posterior del aire acondicionado. Mantenga las aperturas de ventilación libres de obstrucciones.

No utilice dispositivos mecánicos ni otros medios para acelerar el proceso de descongelación, excepto los recomendados por el fabricante. El electrodoméstico no debe guardarse en una habitación con fuentes de ignición que estén en funcionamiento (por ejemplo, llamas abiertas, un aparato de gas en funcionamiento o un calentador eléctrico que funcione). No lo perforo ni lo queme.

Tenga en cuenta que es posible que los refrigerantes no contengan olor. No utilice agua pulverizada ni vapor para limpiar el electrodoméstico. Limpie el electrodoméstico con un paño suave y húmedo. Utilice solo detergentes neutros. No utilice productos abrasivos, almohadillas de limpieza abrasivas, disolventes ni objetos metálicos.

Si el cable de alimentación está dañado, debe ser sustituido por el

fabricante, su Centro de servicio autorizado o por personas de cualificación similar para evitar riesgos.

## INSTRUCCIONES DE SEGURIDAD

### Instalación

#### ADVERTENCIA



Solo una persona cualificada debe instalar este electrodoméstico.

Retire todo el embalaje.

No instale ni utilice un electrodoméstico dañado. El electrodoméstico debe instalarse, manejarse y guardarse en una habitación con una superficie de suelo superior a 13 m<sup>2</sup> (AC Palermo 18K) / 25 m<sup>2</sup> (AC Palermo 22K). Siga las instrucciones de instalación suministradas con el electrodoméstico.

Tenga siempre cuidado al mover el electrodoméstico porque es pesado. Use siempre guantes de seguridad. Tenga en cuenta que es posible que los refrigerantes no contengan olor.

Asegúrese de que el aire pueda circular alrededor del electrodoméstico.

Espere al menos 4 horas antes de conectar el electrodoméstico a la fuente de alimentación. De esta manera, se permite que el aceite vuelva a entrar en el compresor. No instale el electrodoméstico

### Conexión eléctrica

#### ADVERTENCIA



Riesgo de incendio y de descarga eléctrica.

El electrodoméstico debe conectarse a una toma de corriente conectada a tierra. Asegúrese de que la información eléctrica de la placa de clasificación coincida con la fuente de alimentación. De lo contrario, póngase en contacto con un

electricista.

Utilice siempre un enchufe a prueba de descargas correctamente instalado.

No utilice adaptadores de enchufes múltiples ni alargadores.

Asegúrese de no causar daños a los componentes eléctricos (p. ej., enchufe de red, cable de red).

Póngase en contacto con el Centro de asistencia autorizado o con un electricista para cambiar los componentes eléctricos.

El cable de red debe permanecer por debajo del nivel del enchufe de red. Conecte el enchufe de la red a la toma de corriente solamente al final de la instalación.

Asegúrese de que haya acceso al enchufe de red después de la instalación.

No tire del cable de red para desconectar el electrodoméstico. Tire siempre del enchufe de red.

Esta unidad necesita al menos 25 amperios de electricidad para el funcionamiento de su compresor.

Para evitar el corte de la electricidad del domicilio, no utilice ningún cable de extensión para esta unidad.

### Uso

#### ADVERTENCIA



Riesgo de lesiones, quemaduras, descarga eléctrica o incendio.

No modifique las especificaciones de este electrodoméstico.

Tenga cuidado de no causar daños en el circuito refrigerante. Contiene propano (R290), un gas natural con un alto nivel de compatibilidad medioambiental. Este gas es inflamable.

Si se produce algún daño en el circuito del refrigerante, asegúrese de que no haya llamas y fuentes de ignición en la habitación. Ventile la

habitación.

No deje productos inflamables ni artículos que estén mojados con productos inflamables cerca o sobre el electrodoméstico.

Utilice esta unidad en un ambiente de 35 grados centígrados o menos.

Limpie el filtro de aire periódicamente para disfrutar de la refrigeración más eficiente.

Cuando la unidad esté apagada, espere al menos 3,5 minutos antes de reiniciarla para evitar que el compresor se dañe.

Al encender la unidad, el ventilador funcionará, pero el compresor se encenderá después de que la alarma de refrigeración parpadee durante tres minutos

El aire acondicionado solo se puede conectar a un sistema de suministro eléctrico con una impedancia máxima de 0,219 Ω. En caso necesario, consulte con su proveedor de electricidad para conocer la impedancia de su sistema.

### Eliminación

#### ADVERTENCIA



Riesgo de lesiones.

Desconecte el electrodoméstico de la red eléctrica.

Corte el cable de alimentación y deséchelo.

El circuito refrigerante de este electrodoméstico es respetuoso con el ozono. Póngase en contacto con las autoridades municipales para obtener información sobre cómo desechar el electrodoméstico correctamente. No provoque daños en la parte de la unidad de refrigeración que está cerca del intercambiador de calor.

## CONFIGURACIÓN DEL AIRE ACONDICIONADO DE CARA A SU INSTALACIÓN

### Transporte, marcado y almacenamiento de las unidades

1. El transporte de equipos que contengan refrigerantes inflamables debe efectuarse cumpliendo las normativas de transporte
2. El marcado del equipo mediante señales debe efectuarse cumpliendo las normativas de transporte
3. La retirada de equipos que utilizan refrigerantes inflamables debe efectuarse cumpliendo las normativas de transporte
4. El almacenamiento del equipo o los electrodomésticos debe hacerse siguiendo las instrucciones del fabricante.
5. Almacenamiento de equipos embalados (no vendidos). El embalaje protector para el almacenamiento debe garantizar que cualquier impacto mecánico contra el equipo que hay en su interior no provoque una fuga de la carga del refrigerante. El número máximo de equipos que pueden almacenarse juntos vendrá determinado por la normativa local.
6. El aparato debe almacenarse para evitar
7. Zona de trabajo general. Todo el personal de mantenimiento y otras personas que trabajen en la zona recibirán formación sobre la naturaleza del trabajo que se lleva a cabo. Debe evitarse el trabajo en áreas cerradas. El área que rodea la zona de trabajo deberá

segmentarse. Asegúrese de asegurar

la situación de la zona mediante el control de material inflamable. posibles daños mecánicos.

## 2. Instalación

### Importante

Este aire acondicionado se puede mover en el interior de manera práctica; mantenga la unidad en posición vertical mientras la mueve. El aire acondicionado se deberá colocar sobre una superficie plana.

No instale ni utilice este aire acondicionado en un cuarto de baño ni en ningún otro lugar húmedo. Puesto que el aire acondicionado portátil tiene ruedas, resulta fácil cambiarlo de posición. Cuando el calor apriete, no tiene más que trasladar su aire acondicionado portátil a la habitación en la que esté y podrá empezar rápidamente a enfriar el espacio.

El aire acondicionado se debe manejar en un área cerrada para ser más eficaz. Cierre todas las puertas, ventanas y otras aberturas exteriores que tenga la habitación. La eficacia del aire acondicionado depende de la temperatura y del nivel de humedad.

2. Coloque el aire acondicionado en un lugar que no restrinja el flujo de aire a través de la parte delantera de la unidad.

3. Un aire acondicionado que esté

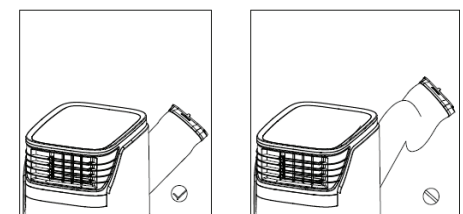
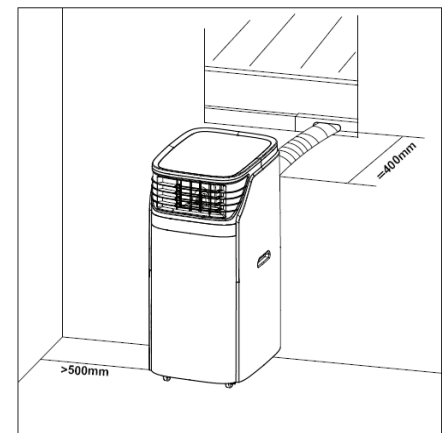
funcionando en una habitación tendrá poco o ningún efecto a la hora

de secar un área de almacenamiento cerrada adyacente, como puede ser un armario, a menos que haya una circulación adecuada de aire dentro y fuera del área. Un aire acondicionado portátil evacúa el calor de la unidad con una manguera de ventilación a través de una ventana o una válvula de aire de escape.

4. Extienda el tubo de escape a una longitud no superior a 400 mm. El tubo de escape debe mantenerse paralelo sin plegarse hacia arriba o hacia abajo.

5. Debe haber una distancia mínima de 50 cm entre el aire acondicionado y el objeto más cercano. Consulte la imagen a modo de referencia.

6. Cuando este aparato comience a descongelarse, aparecerá "DF" en el LED



## DESCRIPCIÓN DEL PRODUCTO

### 3. Descripción del producto

#### A

1. Manguera de escape
2. Conector para ventanas opcional (no está incluido)
3. Kit para ventanas
4. Pasador
5. Pilas
6. Mando a distancia
7. Conector para la salida de aire frío (opcional)

#### B

1. Imágenes del producto

#### C

1. Salida de aire frío
2. Panel de control
3. (Extremo) adaptador circular
4. Tubo de escape
5. Asa derecha
6. Salida de aire caliente
7. Orificio de drenaje superior
8. Rejilla de entrada de aire frío
9. Asa izquierda
10. Rejilla de entrada de aire caliente
11. Orificio de drenaje inferior

#### D

1. Imágenes de la parte trasera del producto

#### E

1. Imagen de la parte superior del producto

#### F

1. TECLA DE ENCENDIDO
2. FUNCIÓN
3. TECLA DE AJUSTE DE TEMPERATURA (ARRIBA)
4. TECLA DE AJUSTE DE TEMPERATURA (ABAJO)
5. LED PANTALLA
6. VELOCIDAD
7. TEMPORIZADOR PROGRAMABLE
8. FUNCIÓN DE CONTROL NOCTURNO
9. INCLINACIÓN

#### G

1. Imagen de la descarga de la rejilla de aire

#### H

1. Diagrama esquemático de la lim- pieza de la rejilla del filtro

#### I

1. POWER—Interruptor de encendido y apagado (On/Off)
2. FUNC—Selector de la función "MODE"
3. TIMER—Programación horaria
4. AUTO—Velocidad de ventilador automática
5. HI—Ventilador a alta velocidad
6. MID—Velocidad de ventilador media
7. LOW—Ventilador a baja velocidad
8. SLEEP—Selector de funcionamiento nocturno
9. TEMP.—Selector de temperatura
10. SWING—Inclinación

#### J

1. Instalación electromagnética con el mando a distancia. Utilizar solo 2 pilas AAA de 1,5 V

#### K

1. Gire el tubo de escape dentro de su conector.

#### L

1. Introducción a la instalación de mangueras de escape

#### M

1. Instalación del kit de la corredera de las ventanas

#### N

1. Inserte el diámetro interior del conjunto de ventanas

#### O

1. Imagen de la salida de agua

## FUNCIONES DE LOS MODOS DE FUNCIONAMIENTO Y DESCRIPCIONES DE LA INSTALACIÓN

### A. Accesorios

Después de desempaquetar, compruebe si los accesorios mencionados anteriormente están incluidos, y verifique su finalidad en la introducción de la instalación en este manual. El conector para la salida de aire frío es opcional.

### B. Aire acondicionado portátil

J. Aspecto y función del mando a distancia.  
Notas:- No deje caer el mando a distancia.- No deje el mando a distancia en una ubicación expuesta a la luz directa solar.

### M. Introducción al funcionamiento

Antes de iniciar las operaciones de esta sección:

- 1) Busque un punto en el que haya una fuente de alimentación próxima.
- 2) Instale el tubo de escape y ajuste bien la posición de la ventana.
- 3) Conecte bien la manguera de drenaje (solo para usar el modelo con calefacción);
- 4) Introduzca el cable de alimentación en un enchufe de 220~240V de CC/50Hz con toma de tierra;
- 5) Presione el pulsador de ENCENDIDO para poner en marcha el aire acondicionado.

### K&L. Instalación del tubo de escape

#### A) Instalación provisional

1. Gire el tubo de escape dentro de su conector y la salida en la parte posterior del aire acondicionado
2. Coloque el otro extremo de la manguera de escape en el alféizar cercano.

#### N. Instalación del kit deslizante de ventana

En general, el kit deslizante de ventana se instala en "horizontal" y en "vertical". Como se muestra en la Fig. 5 y Fig. 5a, compruebe el tamaño mínimo y máximo de la ventana antes de la instalación.

1. Instale el kit en la ventana;
2. Ajuste la longitud del kit deslizante de ventana de acuerdo con el ancho o alto de esta, y fíjelo con la clavija;
3. Inserte la manguera del conector de ventana en el orificio del kit.

#### O. Función de alarma de agua del tanque interno lleno

El depósito interior de agua del aire acondicionado tiene un interruptor de seguridad para controlar el nivel del agua.

Cuando se alcanza la altura prevista, se enciende la luz indicadora de llenado (cuando esté lleno, retire el tapón de goma inferior de la unidad, para drenar el agua al exterior).

#### H. Descripción del mantenimiento:

**Es muy importante limpiar el filtro periódicamente; de lo contrario, el aire acondicionado podría perder capacidad e incluso dañarse gravemente.**

- 1) Antes de limpiarla, asegúrese de desconectar la unidad de cualquier toma de corriente eléctrica;
- 2) No utilice gasolina ni otros productos químicos para limpiar la unidad;
- 3) No lave la unidad directamente;
- 4) Si el acondicionador está dañado, póngase en contacto con el distribuidor o el taller de reparación.

#### 1. Filtro del aire

- Si el filtro de aire se obstruye con polvo o suciedad, debe limpiarse una vez cada dos semanas.

- Desmontaje

Abra la rejilla de entrada de aire y saque el filtro de aire.

- Limpieza

Limpie el filtro de aire con detergente neutro tibio (40° C) y séquelo a la sombra.

- Montaje

Colocando el filtro de aire en la rejilla de entrada, vuelva a colocar los componentes como estaban.

2. Limpie la superficie del aire acondicionado, primero, con un detergente neutro y un paño húmedo y, después, pase un paño seco.

#### E. Antes de utilizarlo

Compruebe si el tubo de escape está correctamente montado. Precauciones para las operaciones de enfriamiento y deshumidificación:-Cuando utilice funciones de enfriamiento y deshumidificación, mantenga un intervalo de al menos 3 minutos entre cada ENCENDIDO.

- La fuente de alimentación cumple con los requisitos.

- El enchufe es para uso de CA.

- No comparta un enchufe con otros aparatos.

- La alimentación es 220-240 CA, 50 Hz

Cuando esté desconectada: No se verá ningún piloto luminoso ni las teclas. Cuando esté conectada: El piloto de la tecla de encendido y del temporizador estarán a media intensidad.

#### 1. TECLA DE ENCENDIDO

Presione esta tecla para encender o apagar la unidad (ON/OFF).

#### 2. FUNCIÓN

Presione esta tecla para seleccionar la función de refrigeración, deshumidificación o ventilador.

#### 3. TECLA DE AJUSTE DE TEMPERATURA (ARRIBA)

Durante la función de refrigeración: Esta tecla eleva la temperatura predefinida en 1 °C cada vez que se pulsa, y el límite máximo es de 30 °C. Durante la función de calefacción (sólo modelo Duo) este botón aumenta el tiempo de temporización en una hora cada vez que se pulsa, junto con un aumento del ciclo.

Durante el uso con temporizador: Aumentar el plazo del temporizador. Cada vez que se presiona, esta tecla incrementa 1 hora al tiempo fijado.

#### 4. TECLA DE AJUSTE DE TEMPERATURA (ABAJO)

Durante la función de refrigeración: Esta tecla reduce la temperatura predefinida en 1 °C cada vez que se pulsa. El límite mínimo es de 17 °C. Durante la función de calentamiento (sólo modelo Duo) este botón aumenta la temperatura preajustada en 1°C cada vez que es presionado, con el límite máximo fijado en 30°C. Durante el uso con temporizador: Reducir el plazo del ciclo en 1 hora cada vez que se presiona.

#### 5. LED PANTALLA

La pantalla indica la temperatura de ajuste actual o el valor del temporizador. Cuando se modifica la temperatura o el temporizador, aparece el nuevo ajuste y, a continuación, la pantalla devuelve la temperatura actual establecida.

## FUNCIONES DE LOS MODOS DE FUNCIONAMIENTO Y DESCRIPCIONES DE LA INSTALACIÓN

※ La pantalla también sirve para mostrar los códigos de error cuando se produce alguno, consulte CÓDIGOS DE ERROR.

### 6. VELOCIDAD

**enfriamiento:** Presione para seleccionar una velocidad del ventilador LOW, MEDIUM, HIGH o AUTO (baja, media, alta o automática). Si se elige "AUTO", entonces "HIGH", "MEDIUM" o "LOW" se seleccionarán automáticamente, en función de la diferencia entre la temperatura fijada y la ambiental. Temperatura ambiente-Temperatura configurada > 4 °C: El ventilador del aparato funciona a velocidad alta.

2 °C ≤ Temperatura ambiente-Temperatura configurada ≤ 4 °C: El ventilador del aparato funciona a velocidad media.

0 °C ≤ Temperatura ambiente-Temperatura configurada ≤ 2 °C: El ventilador del aparato funciona a velocidad baja.

**Ventilador:** Presione para seleccionar una velocidad del ventilador LOW, MEDIUM, HIGH o AUTO (baja, media, alta o automática).

\* Tenga en cuenta que la velocidad automática del viento sólo se puede ajustar en los modos de calefacción (sólo modelo Duo) y refrigeración..

**Nota:** En la función de deshumidificación, esta tecla no es válida porque la unidad se define como baja velocidad en modo deshumidificación.

### 7. TEMPORIZADOR PROGRAMABLE

Tecla de encendido y apagado (ON/OFF) del temporizador programable. **TEMPORIZADOR ENCENDIDO:** El temporizador activado se emplea para encender la unidad automáticamente en cuanto finalice el tiempo ajustado.

1) Presione la tecla "TIMER" en el estado de modo de espera para fijar el tiempo que desee.

2) Cuando se agote el tiempo establecido, la unidad se encenderá automáticamente.

3) Si presiona la tecla "POWER" antes de agotarse el tiempo de espera, el tiempo definido se cancelará y la unidad se encenderá.

4) Puede ajustar la función y la velocidad del ventilador mientras ajusta el temporizador. **TEMPORIZADOR APAGADO:** El temporizador desactivado sirve para apagar la unidad automáticamente en cuanto

finalice el tiempo ajustado.

1) Presione la tecla "TIMER" en el estado de funcionamiento para fijar el tiempo que desee.

2) Cuando se agote el tiempo establecido, la unidad se apagará automáticamente.

3) Si presiona la tecla "POWER" antes de agotarse el tiempo de espera, el tiempo definido se cancelará y la unidad se apagará.

### 8. FUNCIÓN DE CONTROL NOCTURNO

1) En el modo de refrigeración, pulse la tecla SLEEP para fijar la temperatura. Incrementa 1 grado después de una hora y eleva esta temperatura como máximo 2 grados al transcurrir 2 horas.

2) Vuelva a presionar la tecla SLEEP para cancelar el ajuste.

### 9. INCLINACIÓN

Presione esta tecla para inclinar las láminas de la salida de aire. Este movimiento se detendrá cuando vuelva a presionar la tecla.

### ALARMA

Cuando el depósito de agua está lleno, aparecerá el mensaje "E4" en el panel de la pantalla. Para reanudar el funcionamiento, retire la tapa de goma del tubo de drenaje para retirar el agua enseguida. El aviso E4 desaparecerá tras el drenaje, y podrá reiniciar la unidad presionando la tecla de encendido.

### Mantenimiento

Limpie la unidad con un paño suave y húmedo. No utilice disolventes ni limpiadores fuertes, ya que esto podría dañar la superficie de la unidad.

### Servicio

Si el aire acondicionado requiere mantenimiento, primero debe ponerse en contacto con su distribuidor local. Se requiere una prueba de compra para cualquier reclamación de la garantía.

### Instrucciones de uso

#### Almacenamiento de fin de temporada

1) Atornille la tapa de drenaje y extraiga

el tapón para extraer completamente el agua de condensación.

2) Mantenga la unidad funcionando en modo ventilador durante medio día para secar completamente su interior y evitar que aparezca moho.

3) Apague la unidad, saque el enchufe y, a continuación, envuelva el cable de alimentación alrededor del eje de bobinado, inserte el enchufe en el orificio de fijación universal del panel posterior, instale el tapón de agua y la cubierta de drenaje.

4) Retire el conjunto del tubo de escape de calor, límpielo y guárdelo correctamente.

5) Envuelva el aire acondicionado correctamente con una bolsa de plástico blando y colóquelo en un lugar seco con las medidas adecuadas a prueba de polvo. Mantenga la unidad alejada de los niños.

6) Saque las pilas del mando a distancia y guárdelas correctamente.

#### Nota:

Asegúrese de que la unidad se almacena en un lugar seco. Todos los accesorios de la unidad deberán estar protegidos y juntos

El soporte del cable de alimentación y el enchufe universal pueden servir para proteger el cable de alimentación.

Inteligente, respetuoso con el medio ambiente y energéticamente eficaz, con sistema de refrigeración autoevaporativo. Función de temporizador de 24 horas, música recordatoria de encendido/apagado exclusiva.

Protección de reinicio de 3,5 minutos del compresor y otras funciones de protección múltiple.

PROBLEMA	CAUSA	SOLUCIÓN
La unidad no arranca	Fallo de la fuente de alimentación Agua llena y el testigo está iluminado La temperatura ambiental es demasiado baja o demasiado alta La temperatura ambiental es más baja que la temperatura fijada en el modo de refrigeración o más alta en el modo de calefacción	Conecte la unidad a un enchufe con corriente y enciéndala Drene el agua almacenada en la unidad. Se recomienda utilizar esta unidad entre 8-35 Cambie la temperatura fijada
Efectos de enfriamiento incorrectos	Hay luz solar directa Las puertas y ventanas están abiertas, la habitación está llena de gente o hay otras fuentes de calor Filtro sucio Entrada o salida de aire obstruidas	Cierre la cortina de la ventana Cierre la puerta y la ventana, elimine el resto de las fuentes de calor Limpie o cambie la malla del filtro Elimine la obstrucción
Alto nivel de ruido	La unidad está colocada en una superficie irregular.	Coloque la unidad en un lugar plano y firme (puede reducir el ruido)
El compresor no funciona	Inicio de la protección contra sobrecalentamiento	Espere hasta que la temperatura disminuya; la unidad se reiniciará automáticamente
El mando a distancia no funciona	Está demasiado lejos El mando a distancia no apunta al receptor de señal de la unidad. Las baterías no tienen electricidad	Acerque el mando a distancia al aire acondicionado y asegúrese de que apunte al receptor de señal de la unidad. Cambie las pilas
Si tiene problemas con su deshumidificador, consulte la sección de localización y resolución de problemas que se incluye a continuación. Si nada de lo siguiente funciona, póngase en contacto con su distribuidor para que realice la puesta a punto de su aire acondicionado.		

Códigos de error	CAUSA	SOLUCIÓN
Código E1	Cortocircuito en el sensor de temperatura y el circuito impreso	Contacte con un electricista para su reparación
Código E2	Cortocircuito en el tubo de cobre del sensor de temperatura y cableado del circuito impreso	Contacte con un electricista para su reparación
Código E4	Indica que el depósito de agua está lleno o tiene un mal contacto con el enchufe de alimentación	El usuario tiene que sacar el tapón de goma de la parte inferior de la unidad, para drenar el agua. O bien, comprobar si el enchufe de alimentación está bien.

## Garantías

Garantía de dos años para el consumidor por fallos de producción. Tenga en cuenta que la garantía solo es válida tras la presentación del tique de compra. La garantía solo es válida si el producto se utiliza de acuerdo con las instrucciones y advertencias de seguridad incluidas en este manual. La garantía no cubre los daños causados por la manipulación incorrecta del producto.

NOTA: La garantía de dos años solo se aplica a los consumidores y no al uso comercial de la unidad.



### ¡NOTA!

Regístrese en [www.warranty-woods.com](http://www.warranty-woods.com) y descubra cómo puede ampliar la garantía. Para obtener más información, visite [www.woods.se](http://www.woods.se).

### Límites de uso recomendados

La mejor temperatura de funcionamiento para la refrigeración está entre 17 y 35 °C. Parámetro de fusible: SET o SMT, 3,15 A, 250 VCC.

DATOS TÉCNICOS	Palermo 18K	Palermo 18K Duo A+	Palermo 22K
Capacidad de enfriamiento	5,3 KW	5,3KW	6,5 KW
Capacidad de calefacción		5,0KW	
Consumo de energía refrigeración/calefacción	2,030 KW	1,7KW/1,65KW	2,500 KW
Flujo de aire	950 m <sup>3</sup> /h	950m <sup>3</sup> / h	950 m <sup>3</sup> /h
Clase energética	A	A+	A
Deshumidificación	90 L/24 h	90 L / 24h	120 L/24 h
Configuración de la temperatura	17-30 °C	17-30°C	17-30 °C
Temperatura de funcionamiento refrigeración/calefacción	16-35 °C	16-35°C / heating7-23°C	16-35 °C
EER refrigeración/calefacción	2,6	3,1/ 3,0	2,6
Gas refrigerante	R290/264g	R290/250g	R290/369g
Nivel de ruido en decibelios	65dB	65dB	65dB
Peso	51 kg/60 kg	51,5 kg/60,5 kg	52 kg/61 kg
Dimensiones en mm, L x Anch. x Alt.	540 x 695 x 1140	540x695x1140	540 x 695 x 1140

\*Puede haber cambios técnicos y mejoras. Todos los valores son aproximados y pueden variar debido a circunstancias externas tales como la temperatura, la ventilación y la humedad.



#### Nota: Protección del medio ambiente y eliminación

- Los consumidores están obligados por ley a deshacerse correctamente de los aparatos electrónicos, las lámparas y las pilas al final de su vida útil.
- Pueden entregarse gratuitamente en los puntos de recogida públicos o en los comercios.
- El borrado de datos personales es responsabilidad del consumidor.
- Las lámparas y pilas que puedan retirarse sin riesgo y que no estén instaladas de forma permanente deben extraerse previamente para su eliminación por separado.
- La legislación local regula los detalles de la eliminación conforme a la ley.
- La marca de cubo de basura tachado identifica los aparatos eléctricos y las pilas que nunca deben tirarse a la basura doméstica al final de su vida útil.
- Los símbolos debajo del cubo de basura indican las sustancias que contiene (plomo = Pb, mercurio = Hg, cadmio = Cd).
- Esta separación es necesaria porque tanto las pilas como los aparatos eléctricos son recursos valiosos y además contienen sustancias perjudiciales para el ser humano y su entorno.
- Al reciclar, recoger y reutilizar pilas y aparatos eléctricos adecuados para este fin, contribuyes a la conservación y protección del medio ambiente y de la salud de las personas.

## WOOD'S VOOR SCHONE EN GEZONDE BINNENLUCHT

Het merk Wood's werd meer dan 65 jaar geleden opgericht door de familie Wood in de Canadese stad Guelph, Ontario. Hier begon Wood's in 1950 met de ontwikkeling en productie van ontvochtigers. Sindsdien heeft Wood's enkele honderdduizenden huishoudens geholpen om schade door schimmel vocht te voorkomen en om schonere lucht in te ademen. Onze verplaatsbare airconditioners zijn geschikt voor gebruik in de meeste klimaten, waar de capaciteit ook bij verschillende temperaturen en vochtigheidsniveaus passend is. Ze worden met goed resultaat gebruikt in panden en ruimtes die heet worden, zoals huiskamers, kantoren of slaapkamers. De hoeveelheid hete lucht die een airconditioner verwijdert hangt af van de temperatuur, vochtigheidsgraad en plaats. Ook externe weersomstandigheden kunnen van invloed zijn op de prestaties van de airconditioner.

Wood's airconditioners zijn veilig te bedienen en bedoeld om jarenlang onafgebroken gebruikt te worden.

### HOE WERKT DE AIRCONDITIONER?

Lage druk geeft koude lucht

Het belangrijkste element van de airconditioner is het koelmiddel, dat onder lage druk wordt omgezet in gas. Het proces "creëert koude", dat naar binnen wordt overgebracht, terwijl de warme lucht buiten blijft.

Een vloeibaar koelmiddel gaat door een expansieklep en vervolgens door een leiding waar de druk laag is.

Het koelmiddel verdampt en gaat over in gasvorm. Het proces absorbeert warmte uit de omgeving en de leiding wordt gekoeld. Een ventilator blaast de koude lucht de kamer in.

Het gas gaat door een compressor, die de druk verhoogt en het gas weer omzet naar de vloeistofvorm.




Tijdens dit proces komt warmte vrij, die naar leidingen aan de andere kant wordt geleid en naar buiten wordt geblazen door een ventilator.

Een thermostaat schakelt het apparaat uit wanneer de lucht in de kamer koud genoeg is.

## 1. VEILIGHEIDSWAARSCHUWINGEN



Ontvlambaar materiaal.  
Dit apparaat bevat R290/propana, een ontvlambaar koelmiddel.

-  Raadpleeg deze handleiding voor veiligheidsinformatie.
-  Lees de technische handleiding
-  Lees de gebruikshandleiding.

### VEILIGHEIDSINFORMATIE

Lees vóór installatie en gebruik van het apparaat de bijgeleverde handleidingen aandachtig door. De fabrikant is niet verantwoordelijk als onjuiste installatie en gebruik leiden tot letsel en schade. Houd de handleidingen altijd bij het apparaat voor toekomstig gebruik.

### Veiligheid kinderen en kwetsbare personen

#### WAARSCHUWING



Risico op letsel of blijvende invaliditeit.

Dit apparaat kan worden gebruikt door kinderen van 8 jaar en ouder en personen met verminderde lichamelijke, zintuiglijke of mentale vermogens of gebrek aan ervaring en kennis indien zij op een veilige manier begeleid worden of instructie hebben gekregen over het gebruik van het apparaat en de gevaren

begrijpen.

Laat kinderen niet met het apparaat spelen.

Kinderen jonger dan 3 jaar moeten van het apparaat weggehouden worden, tenzij zij onder voortdurend toezicht staan.

Houd alle verpakkingen uit de buurt van kinderen.

Reiniging en gebruikersonderhoud mogen niet door kinderen worden uitgevoerd zonder dat er toezicht is.

### Algemene veiligheid

Dit apparaat is bedoeld voor gebruik in huishoudens en soortgelijke toepassingen zoals: zitkamer, woonkamer, personeelskeukens in winkels, kantoren en andere werkomgevingen. Het typeplaatje zit aan de achterzijde of aan de zijkant van de airconditioner.

Zorg dat de ventilatieopeningen niet geblokkeerd worden.

Gebruik geen mechanische apparaten of andere middelen om het ontdooiproces te versnellen, anders dan die door de fabrikant aanbevolen. Het apparaat mag niet worden opgeslagen in een ruimte met werkende ontstekingsbronnen (bijv. open vuur, een gasapparaat in gebruik of een werkende elektrische kachel. Niet doorboren of branden.

Let op dat koelmiddelen geen geur mogen bevatten. Gebruik geen waterstraal en stoom om het apparaat schoon te maken. Reinig het apparaat met een vochtige zachte doek. Gebruik alleen neutrale schoonmaakmiddelen. Gebruik geen schurende producten, schuursponsen, oplosmiddelen of metalen voorwerpen.

Indien het netsnoer beschadigd is, moet het worden vervangen door de

fabrikant, een erkend servicecentrum of gelijkwaardig gekwalificeerde personen om problemen te voorkomen.

## VEILIGHEIDSINSTRUCTIES

### Installatie

#### WAARSCHUWING



Dit apparaat mag alleen door een gekwalificeerd persoon geïnstalleerd worden.

Verwijder alle verpakkingen.

Installeer of gebruik geen beschadigd apparaat. Het apparaat moet geïnstalleerd, gebruikt en opgeslagen worden in een ruimte met een vloeroppervlak van ten minste 13 m<sup>2</sup> (AC Palermo 18K) / 25 m<sup>2</sup> (AC Palermo 22K). Volg de installatie- instructie die bij het apparaat is meegeleverd.

Wees altijd voorzichtig wanneer u het apparaat verplaatst omdat het zwaar is. Draag altijd veiligheidshandschoenen.

Let op dat koelmiddelen geen geur mogen bevatten.

Zorg ervoor dat er lucht rond het toestel kan circuleren.

Wacht minimaal 4 uur voordat u het apparaat aansluit op het net. Dit is om de olie terug te laten stromen naar de compressor.

Installeer het toestel niet vlak bij radiatoren of andere warmtebronnen.

Installeer het toestel niet in direct zonlicht.

### Elektrische aansluiting

#### WAARSCHUWING



Gevaar voor brand en elektrische schokken.

Het apparaat moet op een geaard stopcontact zijn aangesloten.

Zorg dat de elektrische gegevens op het typeplaatje overeenkomen met de netspanning. Is dat niet het geval dan moet u contact opnemen met een elektricien.

Gebruik altijd een correct geïnstalleerd slagvast stopcontact. Gebruik geen stekkerdozen en verlengkabels.

Zorg ervoor dat u de elektrische componenten niet beschadigt (bijv. stekker, netsnoer).

Neem contact op met het geautoriseerde servicecentrum of een elektricien om de elektrische componenten te vervangen. Het netsnoer moet lager liggen dan de stekker.

Steek pas aan het einde van de installatie de stekker in het stopcontact.

Controleer of u na de installatie bij de stekker kunt.

Trek niet aan het netsnoer om het apparaat los te koppelen. Trek altijd aan de stekker.

Deze eenheid heeft minimaal 25 A nodig om de compressor te laten werken. Gebruik geen verlengsnoer voor deze eenheid, om het afschakelen van de hoofdzekering te vermijden.

### Gebruik

#### WAARSCHUWING



Risico op letsel, brandwonden, elektrische schokken of brand. Wijzig de specificatie van dit toestel niet.

Zorg ervoor dat u het koelcircuit niet beschadigt. Het bevat propaan (R290), een natuurlijk gas met een grote milieu- compatibiliteit. Dit gas is ontvlambaar.

Als er schade aan het koelcircuit ontstaat moet u ervoor zorgen dat er geen vlammen of andere

ontstekingsbronnen in de ruimte zijn. Ventileer de kamer.

Zet geen brandbare producten of voorwerpen die nat zijn van brandbare stoffen in de buurt van of op het apparaat.

Gebruik deze eenheid bij een omgevingstemperatuur van 35 graden Celsius of minder.

Reinig het luchtfilter periodiek voor de meest efficiënte koeling.

Wacht na het uitschakelen van de eenheid minstens 3,5 minuut voordat u de eenheid opnieuw start, om schade aan de compressor te voorkomen.

Bij het aanschakelen van de eenheid, zal de ventilator werken, maar zal de compressor pas starten nadat het alarm voor koeling drie minuten flinkt.

De airconditioner mag alleen op een voeding met een systeemimpedantie van maximaal 0,219 Ω worden aangesloten. Raadpleeg indien nodig uw elektriciteitsleverancier voor informatie over de systeemimpedantie.

### Afvoeren

#### WAARSCHUWING



Risico op letsel.

Koppel het apparaat los van het net. Knip het netsnoer af en gooi dit weg. Het koelcircuit van dit apparaat is ozonvriendelijk. Neem contact op met uw gemeentelijke milieustation voor informatie over hoe u het apparaat correct afvoert.

Zorg dat het gedeelte van de koeleenheid dat zich in de buurt van de warmtewisselaar bevindt niet beschadigd raakt.

## AIRCONDITIONER VOORBEREIDEN VOOR INSTALLATIE

### Transport, markering en opslag van eenheden

1. Transport van apparatuur met brandbare koelmiddelen Overeenkomstig de transportregelgeving
2. Markering van apparatuur met tekens Overeenkomstig de lokale regelgeving
3. Verwijdering van apparatuur met brandbare koelmiddelen Overeenkomstig de nationale regelgeving
4. Opslag van apparatuur/toestellen De opslag van apparatuur moet gebeuren overeenkomstig de aanwijzingen van de fabrikant.
5. Opgeslagen of verpakte (niet verkochte) apparatuur De apparatuur moet worden verpakt zodat deze binnen de verpakking beschermd is tegen mechanische beschadiging en het koelmiddel niet kan lekken. Het maximale aantal apparaten dat samen mag worden opgeslagen, zal worden bepaald door de lokale regelgeving.
6. Het apparaat moet worden opgeslagen op een manier waarop het beschermd is tegen mechanische beschadiging.
7. Algemeen werkgebied Alle onderhoudsmedewerkers en andere personen die ter plaatse werken, zullen richtlijnen krijgen over de aard van het werk dat wordt uitgevoerd. Werken in besloten ruimten zal vermeden worden. Het gebied rond de werkplaats zal worden afgebakend.

Zorg ervoor dat de omstandigheden binnen het werkgebied zijn beveiligd door de beheersing van brandbare materialen.

## 2. Installatie

### Belangrijk

1. Deze airconditioner kan gemakkelijk binnenshuis verplaatst worden; houd het apparaat rechtop terwijl u het verplaatst. De airconditioner moet op een vlakke ondergrond worden geplaatst. Installeer of bedien deze airconditioner niet in een badkamer of een andere natte omgeving. Omdat een verplaatsbare airconditioner op wielen rust, kan deze gemakkelijk op een andere plek worden geplaatst. Wanneer het warm wordt, verplaatst u eenvoudig de airconditioner naar de kamer en kunt u snel aan de slag met het koelen van de ruimte. De airconditioner moet werken in een afgesloten ruimte voor het beste effect. Sluit alle deuren, ramen en andere openingen naar de kamer. De effectiviteit van de airconditioner is afhankelijk van de temperatuur en vochtigheidsgraad.

2. Plaats de airconditioner op een plek die de luchtstroom door de voorkant van het apparaat niet belemmert.

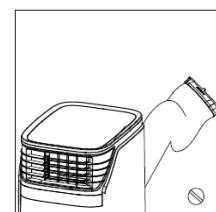
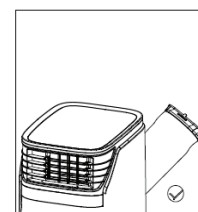
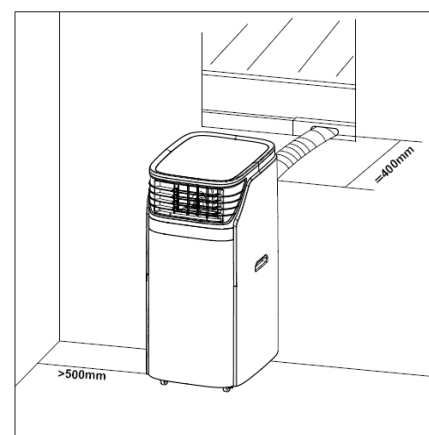
3. Een airconditioner die werkt in een kamer zal weinig of geen effect hebben op het drogen van een aangrenzende afgesloten opslag ruimte, zoals een kast, tenzij er

voldoende luchtcirculatie is in en uit de ruimte. Een verplaatsbare airconditioner voert de warmte van het apparaat af via een ventilatieslang door een raam of afvoerluhtklep.

4. Maak de uitlaatslang niet langer dan 400 mm. De uitlaatslang moet recht worden gehouden en mag niet omhoog of omlaag gebogen worden.

5. Er moet een minimum afstand van 50 cm zijn tussen de airconditioner en het dichtstbijzijnde object. Zie afbeelding voor verduidelijking.

6. Wanneer dit apparaat begint te ontdooien, zal het woord 'DF' worden weergegeven op het LED-schermdisplay.



## PRODUCTBESCHRIJVING

### 3. Productbeschrijving

#### A

1. Afvoerslang
2. Vensteraansluiting optioneel (is niet inbegrepen)
3. Vensterset
4. Deuvel
5. Batterijen
6. Afstandsbediening
7. Aansluiting voor koude luchtuitlaat (optioneel)

#### B

1. Productfoto's

#### C

1. Uitlaat koude lucht
2. Bedieningspaneel
3. Ronde adapter(einde)
4. Uitlaatslang
5. Handvat aan de rechterkant
6. Uitlaat warme lucht
7. Afvoergat bovenste deel
8. Inlaatrooster koele lucht
9. Handgreep aan de linkerkant
10. Inlaatrooster warme lucht
11. Afvoergat onderste deel

#### D

1. Foto's achterkant product

#### E

1. Foto van bovenkant product

#### F

1. AAN-/UIT-TOETS
2. WERKING
3. TOETS TEMPERATUURREGELING (OMHOOG)
4. TOETS TEMPERATUURREGELING (OMLAAG)
5. L.E.D. SCHERM
6. SNELHEID
7. PROGRAMMEERBARE TIMER
8. WERKING NACHTREGELING
9. SWING

#### G

1. Afbeelding van het uithalen van het luchtscherm

#### H

1. Schema voor het reinigen van filterschermen

#### I

1. POWER—Aan-/uit-schakelaar
2. FUNC—Functie 'MODE' (modus) keuzeschakelaar
3. TIMER—Programmering per uur
4. AUTO—Automatische ventilatorsnelheid
5. HI—Hoge ventilatorsnelheidTemperatuur omlaag
6. MID—Gemiddelde ventilatorsnelheid
7. LOW—Lage ventilatorsnelheid
8. SLEEP—Keuzeschakelaar sluimerstand
9. TEMP.—Keuzeschakelaar temperatuur
10. SWING—Swing

#### J

1. Installatie voor afstandsbediening. Gebruik alleen 2x AAA 1,5V batterijen.

#### K

1. Draai de uitlaatslang in de slangaansluiting.

#### L

1. Introductie installatie afvoerslang

#### M

1. Installatie van vensterschuifset

#### N

1. Gat maken voor vensterset

#### O

1. Afbeelding van de wateruitlaat

## FUNCTIE VAN DE BEDIENINGSMODI EN INSTALLATIEBESCHRIJVINGEN

### A. Toebehoren

Controleer na het uitpakken of de hierboven vermelde toebehoren zijn inbegrepen en bekijk waarvoor ze dienen in de inleiding tot de installatie in deze handleiding. De aansluiting voor koude luchtuitlaat is optioneel.

### B. Mobiele airconditioner

#### J. Uitzicht en werking van de afstandsbediening.

Opmerkingen:- De afstandsbediening niet laten vallen. - De afstandsbediening niet op een plaats leggen waar deze aan direct zonlicht wordt blootgesteld.

#### M. Inleiding tot de werking

Voordat u de handelingen in dit deel uitvoert:

- 1) Zoek een plaats dichtbij een stopcontact.
- 2) Plaats de uitlaatslang en zorg voor de juiste positie van het venster.
- 3) Sluit de afvoerslang aan (alleen voor model met verwarming);
- 4) Steek het netsnoer in een geaard stopcontact van AC220~240V/50Hz;
- 5) Druk op de AAN-/UIT-knop om de airconditioner aan te zetten.

#### K&L. Inleiding tot de installatie van de uitlaatslang

##### A) Tijdelijke installatie

1. Draai de uitlaatslang in de slangaansluiting en de uitlaat op de achterkant van de airconditioner
2. Plaats het andere einde van de uitlaatslang tot tegen de vensterbank.

##### N. Installatie van de schuifeenheid voor het venster

De schuifeenheid voor het venster wordt gewoonlijk 'horizontaal' en 'verticaal' geplaatst. Controleer, zoals wordt weergegeven op Afb.5 en Afb.5a, de minimum- en maximumafmetingen van het venster vóór het installeren.

1. Plaats de vensterkit op het venster;
2. Pas de lengte van de schuifeenheid voor het venster aan, overeenkomstig de breedte of de hoogte van het venster en bevestig het geheel met de plug;
3. Steek de slang voor de vensteransluiting in het gat van de vensterkit.

##### O. Alarmfunctie interne watertank vol

De interne watertank van de airconditioner is uitgerust met een veiligheidsschakelaar voor het waterpeil, die het waterpeil controleert. Als het waterpeil een ingestelde hoogte bereikt, gaat het indicatielampje voor volle watertank branden. (als de tank vol is, haal dan de rubberen stop uit de onderkant van de eenheid en laat het water weglopen.)

#### H. Toelichting bij onderhoudsaanwijzingen:

**Het is erg belangrijk dat het filter regelmatig gereinigd wordt; anders kan het vermogen van de airconditioner omlaag gaan en kan deze zelfs ernstige schade oplopen.**

- 1) Zorg er voor het reinigen voor dat de elektrische voeding wordt losgekoppeld;
- 2) Gebruik geen benzine of andere chemicaliën om de eenheid te reinigen;
- 3) De eenheid niet rechtstreeks wassen;
- 4) Neem contact op met de verdeler of de reparateur als de airconditioner beschadigd is.

##### 1. Luchtfilter

-Als het luchtfilter verstopt raakt met stof/vuil, moet het luchtfilter elke twee weken worden gereinigd.

-Demonteren

Open het luchtinlaatrooster en verwijder het luchtfilter.

-Reiniging

Reinig het luchtfilter met een neutraal schoonmaakmiddel en lauw water ( 40°C ) en laat het in drogen in de schaduw.

-Monteren

Plaats het luchtfilter in het inlaatrooster en plaats de onderdelen terug op hun oorspronkelijke plaats.

2. Reinig eerst het oppervlak van de airconditioner. Reinig het oppervlak met een neutraal schoonmaakmiddel en een natte doek en veeg het daarna af met een droge doek.

##### E. Voor gebruik

Controleer of de uitlaatslang goed is gemonteerd. Aandachtspunten bij koelen

en ontvochtigen: -Als de functies koelen en ontvochtigen worden gebruikt, laat dan minstens 3 minuten tussen het UIT- en INSCHAKELEN.

-Zorg ervoor dat de voeding voldoet aan de vereisten.

-Zorg ervoor dat een AC-stopcontact wordt gebruikt.

-Sluit geen andere apparaten aan op het stopcontact.

-De voedingsspanning is

AC220-240V, 50Hz

Indien niet aangesloten: De toetsen en indicatielampjes zijn niet zichtbaar. Indien aangesloten: Het indicatielampje van de aan-/uit-toets en de timertoets zijn half verlicht voor bediening.

#### 1. AAN-/UIT-TOETS

Druk om de eenheid 'ON' (aan) of 'OFF' (uit) te schakelen

#### 2. WERKING

Druk op deze toets om koelen, ontvochtigen of ventilator te selecteren.

#### 3. TOETS TEMPERATUURREGELING (OMHOOG)

Tijdens koelen: Deze toets verhoogt de vooraf ingestelde temperatuur met 1°C elke keer wanneer er op wordt gedrukt, de maximumtemperatuur is 30°C. Tijdens verwarmingsfunctie (alleen Duomodel) verlengt deze knop de timertijd met een uur elke keer dat hij wordt ingedrukt, samen met een verlenging van de cyclus. Bij gebruik van de timer: Verlengt de tijd van de timer, Deze toets verlengt de tijd met 1 uur elke keer wanneer er op de toets wordt gedrukt en de cyclus wordt verlengd.

#### 4. TOETS TEMPERATUURREGELING (OMLAAG)

Tijdens koelen: Deze toets verlaagt de vooraf ingestelde temperatuur met 1°C elke keer wanneer er op wordt gedrukt, de minimumtemperatuur is 17°C. Tijdens de verwarmingsfunctie (alleen Duomodel) verhoogt deze knop de vooraf ingestelde temperatuur met 1°C elke keer dat hij wordt ingedrukt, met de maximale limiet ingesteld op 30°C.

Bij gebruik van de timer: De tijd van de timer verkort, Deze toets verkort de tijd per 1 uur elke keer wanneer er op wordt

## FUNCTIE VAN DE BEDIENINGSMODI EN INSTALLATIEBESCHRIJVINGEN

gedrukt en de cyclus wordt verkort.

### 5. L.E.D. SCHERM

Het scherm geeft de huidige ingestelde temperatuur of de instelling van de timer weer. Als de instelling van de temperatuur of de timer wordt aangepast, wordt de nieuwe instelling weergegeven en geeft het scherm daarna de huidige ingestelde temperatuur opnieuw weer.

※ Het scherm geeft ook foutcodes weer bij fouten, zie FOUTCODES.

### 6. SNELHEID

Chłodzenie: Wciśnij, aby wybrać prędkość wentylatora: LOW (niska), MEDIUM (średnia), HIGH (wysoka) lub AUTO (automatyczna). Po wybraniu „AUTO”, automatycznie zostanie wybrana prędkość „HIGH”, „MEDIUM” lub „LOW”, w zależności od różnicy pomiędzy temperaturą ustawioną, a temperaturą otoczenia. Temperatura otoczenia-Ustawienie temperatury >4°C : Maszyna ma wysoką prędkość wentylatora.

2°C ≤ Temperatura otoczenia-Ustawienie temperatury ≤ 4°C: Maszyna ma średnią prędkość wentylatora.

0°C ≤ Temperatura otoczenia-Ustawienie temperatury ≤ 2°C : Maszyna ma niską prędkość wentylatora.

Wentylator: Wciśnij, aby wybrać prędkość wentylatora: LOW (niska), MEDIUM (średnia), HIGH (wysoka) lub AUTO (automatyczna).

Let op: de automatische windsnelheid kan alleen worden ingesteld in de verwarmingsmodus (alleen Duomodel) en de koelmodus.

Opmerking: Tijdens ontvochtigen werkt deze toets niet, omdat de eenheid is ingesteld om te werk en aan lage snelheid in de modus ontvochtigen.

### 7. PROGRAMMEERBARE TIMER

ON/OFF (aan-/uit)-toets programmeerbare timer. TIMER-AAN: Timer-aan wordt gebruikt om de eenheid automatisch aan te schakelen als de ingestelde tijd is verlopen.

1) Druk, in stand-by, op de toets 'TIMER' om de gewenste tijd in te stellen.

2) Zodra de ingestelde tijd is verlopen, zal de eenheid automatisch aanschakelen.

3) Als er voor het verlopen van de tijd op

de toets 'POWER' (aan/uit) wordt gedrukt, wordt de ingestelde tijd gewist en zal de eenheid aanschakelen.

4) U kunt de functie en de ventilatorsnelheid instellen tijdens het instellen van de timer.

TIMER-UIT: Timer-uit wordt gebruikt om de eenheid automatisch uit te schakelen als de ingestelde tijd is verlopen.

1) Druk, tijdens bedrijf, op de toets 'TIMER' om de gewenste tijd in te stellen.

2) Zodra de ingestelde tijd is verlopen, zal de eenheid automatisch uitschakelen.

3) Als er voor het verlopen van de tijd op de toets 'POWER' (aan/uit) wordt gedrukt, wordt de ingestelde tijd gewist en zal de eenheid uitschakelen.

### 8. WERKING NACHTREGELING

1) Druk, in de modus koelen, op de toets SLEEP (nacht) om de temperatuur in te stellen. De temperatuur verhoogt met 1° na een uur en verhoogt maximaal 2° na 2 uur.

2) Opnieuw op de toets SLEEP (nacht) drukken kan de instelling wissen.

### 9. SWING

Druk op deze toets om de louvres van de luchtuitlaat te laten draaien, dit zal stoppen wanneer er opnieuw op de toets wordt gedrukt.

### ALARM

Als de watercontainer vol is, wordt 'E4' weergegeven op het bedieningspaneel. Verwijder de rubberen dop op de afvoerslang om het water af te laten en start daarna de eenheid opnieuw. Na het afdrukken zal de waarschuwing E4 verdwijnen en kunt u de eenheid opnieuw starten door op de AAN-/UIT-toets te drukken.

### Onderhoud

Reinig de eenheid met een zachte, vochtige doek. Gebruik geen oplosmiddelen of sterke schoonmaakmiddelen omdat deze het oppervlak van de eenheid kunnen beschadigen.

### Service

Als de airconditioner service nodig heeft, moet u eerst met uw lokale handelaar contact opnemen. Een aankoopbewijs is vereist voor alle garantieclaims.

### Aanwijzingen voor opslag

Opslag op het einde van het seizoen

1) Schroef het afvoerdekseel los en trek de stop uit om al het water af te laten.

2) Laat de eenheid een halve dag in de ventilatormodus draaien om de binnenkant van de eenheid volledig te drogen en schimmelvorming te voorkomen.

3) Zet de eenheid uit, trek de stekker uit het stopcontact en wikkel het netsnoer rond de snoerhouder, steek de stekker in het universele bevestigingsgat op de achterkant van de eenheid, plaats de stop van de watertank en het afvoerdekseel.

4) Verwijder de warmte-afvoerslang, reinig deze en berg deze gepast op.

5) Verpak de airconditioner goed in een zachte plastic tas en plaats het apparaat op een droge plaats, voldoende beschermd tegen stof en houd het apparaat uit de buurt van kinderen.

6) Haal de batterijen uit de afstandsbediening en bewaar ze op een geschikte plaats.

Opmerking:

Zorg ervoor dat het apparaat op een droge plaats wordt bewaard. Alle toebehoren van het apparaat moeten samen, op gepaste wijze beschermd worden

De snoerhouder en het universele stopcontact kunnen het netsnoer beschermen.

Intelligent, milieuvriendelijk en energiebesparend met een zelfverdampend koelsysteem.

24-uur timerfunctie, unieke herinneringstoon voor aan-/uitschakelen.

3,5 minuut vertraging voor opnieuw starten ter bescherming van de compressor en andere beschermingsfuncties.

PROBLEEM	OORZAAK	ACTIE
De unit start niet	Storing in de stroomvoorziening Water vol en bijhorend pictogram brandt Omgevingstemperatuur te laag of te hoog De kamertemperatuur is lager dan de ingestelde temperatuur in koelingsmodus of hoger dan de ingestelde temperatuur in verwarmingsmodus	Sluit het apparaat aan op een stroomvoerend stopcontact en zet het aan Laat het water dat in het apparaat is opgeslagen, weglopen. Wij raden aan om dit toestel te gebruiken tussen 8-35°C De ingestelde temperatuur wijzigen
Slechte koeling	Er is direct zonlicht De deuren en/of ramen staan open, er zijn veel mensen in de kamer of er zijn andere warmtebronnen Vuil filter Luchtinlaat of luchtafvoer verstopt	Sluit het gordijn Sluit deuren en ramen, verwijder andere warmtebronnen Reinig of vervang het gasfilter Verwijder de obstructie
Veel lawaai	Het apparaat staat op een ongelijk oppervlak.	Plaats het apparaat op een vlakke en stevige ondergrond (kan lawaai reduceren)
De compressor doet het niet	Begin van de oververhittingsbescherming	Wacht tot de temperatuur zakt, het apparaat zal automatisch opnieuw starten
De afstandsbediening werkt niet	Afstand is te groot De afstandsbediening bereikte de signaalontvanger op het apparaat niet. De batterijen zijn leeg	Breng de afstandsbediening dicht bij de airconditioner en zorg ervoor dat deze op de signaalontvanger op het apparaat gericht is. Vervang de batterijen
Als u problemen ondervindt met uw airconditioner, raadpleeg dan de probleemoplossing hieronder. Als niets van het onderstaande werkt, neem dan contact op met uw dealer voor onderhoud van uw airconditioner.		

Foutcodes	OORZAAK	ACTIE
E1-code	Elektrische kortsluiting op zowel de temperatuursensor als de PCB	Neem contact op met een elektricien voor reparatie
E2-code	Elektrische kortsluiting van de koperen leiding van de temperatuursensor en de PCB-bedrading	Neem contact op met een elektricien voor reparatie
E4-code	Wijst op een volle watercontainer of een slecht contact met de voedingsstekker	De gebruiker moet de rubberen stop op de onderkant van de eenheid verwijderen om het water af te laten. Of controleren of de stekker goed is aangesloten

## Garanties

2 jaar consumentengarantie tegen productiefouten. Houd er rekening mee dat de garantie alleen geldig is na overleg van de aankoopnota. De garantie is alleen geldig als het product wordt gebruikt in overeenstemming met de instructies en veiligheidswaarschuwingen die in deze handleiding staan aangegeven. De garantie dekt geen schade die wordt veroorzaakt door een onjuiste behandeling van het product.

OPMERKING: De 2 jaar garantie geldt alleen voor consumenten en niet voor commercieel gebruik van het apparaat.



### LET OP:

Registreer u op [www.warranty-woods.com](http://www.warranty-woods.com) en lees meer over hoe u aanspraak kunt maken op uitgebreide garantie. Ga naar [www.woods.se](http://www.woods.se) voor meer informatie.

### Aanbevolen gebruikslimieten

De beste omgevingstemperatuur voor koelen is 17-35 °C. Zekeringparameters: 5 ET of SMT, 3,15 A, 250 Vac.

TECHNISCHE GEGEVENS	Palermo 18K	Palermo 18K Duo A+	Palermo 22K
Koelvermogen	5,3 KW	5,3 KW	6,5 KW
Verwarmingscapaciteit		5,0 KW	
Energieverbruik koeling/verwarming	2,030 KW	1,7 KW/1,65KW	2,500 KW
Luchtdebiet:	950 m <sup>3</sup> /h	950 m <sup>3</sup> /h	950 m <sup>3</sup> /h
Energieklasse	A	A+	A
Ontvochtigen	90 L/24 h	90 L/24 h	120 L/24 h
Temperatuurinstelling	17-30 °C	17-30 °C	17-30 °C
Bedrijfstemperatuur koeling/verwarming	16-35 °C	16-35 °C / heating 7-23°C	16-35 °C
EER koeling/verwarming	2,6	3,1/ 3,0	2,6
Koelmiddel	R290/264g	R290/250g	R290/369g
Geluidsniveau in decibels	65dB	65dB	65dB
Gewicht	51 kg/60 kg	51,5 kg/60,5 kg	52 kg/61 kg
Afmetingen in mm, L x B x H	540 x 695 x 1140	540 x 695 x 1140	540 x 695 x 1140

\* Er kunnen technische veranderingen en verbeteringen voorkomen. Alle waarden zijn bij benadering en kunnen variëren als gevolg van externe omstandigheden zoals temperatuur, ventilatie en luchtvochtigheid.



#### Aanwijzing: Milieubescherming en verwijdering

- De consument heeft een wettelijke verplichting om elektronische apparaten, lampen en batterijen aan het einde van hun levensduur op de juiste manier af te voeren.
- Deze kunnen gratis worden ingeleverd bij openbare inzamel punten of bij dealers.
- Het verwijderen van persoonlijke gegevens is de verantwoordelijkheid van de consument zelf.
- Lampen en batterijen die veilig kunnen worden verwijderd en niet permanent zijn geïnstalleerd, moeten vooraf worden verwijderd voor gescheiden afvalverwerking.
- De landelijke wetgeving regelt de details van wettelijk conforme verwijdering.
- De markering met de doorgekruiste afvalbak markeert elektronische apparaten en batterijen die aan het einde van hun levensduur niet bij het huisvuil mogen worden gedaan.
- Onder de afvalbak aangebrachte symbolen geven eventuele ingrediënten aan die het product bevat (lood = Pb, kwik = Hg, cadmium = Cd).
- Deze scheiding is nodig omdat zowel batterijen als elektronische apparaten waardevolle grondstoffen zijn en stoffen bevatten die schadelijk zijn voor mens en milieu.
- Door batterijen en elektronische apparaten te recyclen, in te zamelen en opnieuw te gebruiken, draagt u bij aan het behoud en de bescherming van het milieu en de menselijke gezondheid.

## WOOD'S – DLA CZYSTEGO I ZDROWEGO POWIETRZA WEWNĘTRZNEGO

Marka Wood's narodziła się w rodzinie Woodów przed ponad 65 laty, w mieście Guelph w kanadyjskim stanie Ontario. Właśnie tam, w 1950 roku, firma Wood's zaczęła projektować i wytwarzać nawilżacze. Od tamtej pory urządzenia marki Wood's pomogły setkom tysięcy gospodarstw domowych uniknąć szkód, jakie mogłaby spowodować pleśniejąca wilgoć, i zadbać o oddychanie czystym powietrzem. Nasze przenośne klimatyzatory nadają się do użytku w większości stref klimatycznych: pracują wydajnie w różnych temperaturach i na różnych poziomach wilgotności otoczenia. Świetnie sprawdzają się w nagrzewających się pomieszczeniach i przestrzeniach, takich jak domowe salony i sypialnie oraz biura. Ilość gorącego powietrza odprowadzanego przez klimatyzator zależy od panującej temperatury oraz wilgotności i od miejsca ustawienia urządzenia. Na działanie klimatyzatora wpływać też mogą zewnętrzne warunki pogodowe.

Klimatyzatory Wood's są bezpieczne i przeznaczone do ciągłego użytkowania przez wiele lat.

### JAK DZIAŁA KLIMATYZATOR?

Niskie ciśnienie daje chłodne powietrze. Głównym elementem klimatyzatora jest czynnik chłodniczy, który w warunkach niskiego ciśnienia przeobraża się w gaz. W tym procesie „powstaje chłód”, przekazywany do wnętrza, podczas gdy ciepłe powietrze pozostaje na zewnątrz. Ciekły czynnik chłodniczy przepływa przez zawór rozprężny i do przewodu rurowego, w którym panuje niskie ciśnienie. Czynnik chłodniczy odparowuje i zmienia się w gaz. Proces ten pochłania ciepło z otoczenia – przewód rurowy schładza się. Wentylator nadmuchiwa chłodne powietrze do pomieszczenia. Gaz przepływa przez sprężarkę, która podwyższa ciśnienie i przekształca go w ciecz. W tym procesie uwalnia się ciepło, odprowadzane do przewodów rurowych po przeciwległej stronie i wydmuchiwane na zewnątrz przez wentylator.

Termostat wyłącza urządzenie z chwilą, gdy temperatura powietrza wewnętrznego spada do odpowiednio niskiego poziomu.

## 1. OSTRZEŻENIA DOTYCZĄCE BEZPIECZEŃSTWA



Materiał łatwopalny. To urządzenie zawiera R290 / propan, który jest łatwopalnym czynnikiem chłodniczym.



Przeczytaj tę instrukcję, żeby zapoznać się z informacjami dotyczącymi bezpieczeństwa.



Przeczytaj instrukcję techniczną.



Przeczytaj instrukcję obsługi.

### INFORMACJE DOTYCZĄCE BEZPIECZEŃSTWA

Przed zainstalowaniem i użytkowaniem urządzenia należy uważnie zapoznać się z dołączoną instrukcją obsługi. Producent nie ponosi odpowiedzialności w razie odniesienia obrażeń bądź powstania szkód na skutek nieprawidłowego montażu lub niewłaściwego użytkowania. Instrukcję obsługi urządzenia przechowuj zawsze razem z urządzeniem, żeby w razie potrzeby móc się do niej odwołać w przyszłości.

### Bezpieczeństwo dzieci oraz osób szczególnie podatnych na zagrożenia

#### OSTRZEŻENIE



Niebezpieczeństwo odniesienia obrażeń i trwałej utraty sprawności. Urządzenie będące przedmiotem tej

instrukcji może być użytkowane przez dzieci w wieku od lat 8 wzwyż, przez osoby o ograniczonej sprawności ruchowej, sensorycznej bądź umysłowej oraz przez osoby niemające odpowiedniego doświadczenia tylko pod warunkiem, że podczas użytkowania pozostają pod nadzorem albo zostały uprzednio poinstruowane w zakresie bezpiecznego użytkowania urządzenia i rozumieją związane z tym zagrożenia. Nie zezwalać dzieciom na zabawę urządzeniem.

Dzieci poniżej 3. roku życia powinny przebywać z dala od urządzenia, chyba że znajdują się pod stałym nadzorem. Przechowywać wszystkie opakowania z dala od dzieci.

Dzieci nie mogą czyścić ani konserwować urządzenia bez nadzoru.

### Bezpieczeństwo ogólne

Urządzenie będące przedmiotem niniejszej instrukcji jest przeznaczone do użytku domowego oraz w podobnych miejscach, takich jak: pokój dzienny, salon, kuchnie i pomieszczenia gospodarcze sklepów, biura oraz inne środowiska pracy. Tabliczka znamionowa znajduje się z boku lub z tyłu klimatyzatora. Otwory wentylacyjne nie mogą być zasłonięte.

Procesu rozmrażania nie należy przyspieszać przy pomocy urządzeń mechanicznych ani żadnych środków innych niż zalecane przez producenta. Urządzenia nie wolno przechowywać w pomieszczeniach, gdzie pracują źródła zapłonu (np. nieosłonięty płomień, działające urządzenie gazowe lub działająca grzałka elektryczna). Nie dziurawić i nie przypalać. Należy pamiętać, że czynniki chłodnicze mogą być bezzapachowe. Nie czyścić urządzenia rozpyloną wodą ani parą. Czyścić urządzenie

wilgotną, miękką ściereczką. Stosować wyłącznie detergenty obojętne. Nie używać substancji ściernych, szorstkich akcesoriów czyszczących, rozpuszczalników ani przedmiotów metalowych.

W razie uszkodzenia kabla zasilającego należy go wymienić u producenta, w autoryzowanym punkcie serwisowym albo przy udziale osób o podobnych kwalifikacjach, żeby uniknąć zagrożenia.

## INSTRUKCJE BEZPIECZEŃSTWA

### Instalowanie

#### OSTRZEŻENIE



Tylko należycie wykwalifikowana osoba może zainstalować urządzenie. Usunąć wszystkie elementy opakowania.

Urządzenia uszkodzonego nie instalować ani nie używać.

Urządzenie powinno być zainstalowane, obsługiwane i przechowywane w pomieszczeniu o metrażu powyżej 13 m<sup>2</sup> (AC Palermo 18K) / 25 m<sup>2</sup> (AC Palermo 22K).

Zastosować się do instrukcji montażu dołączonej do urządzenia.

Zawsze należy zachować ostrożność podczas przenoszenia urządzenia, ponieważ jest ciężkie. Zawsze nosić rękawice ochronne.

Należy pamiętać, że czynniki chłodnicze mogą być bezzapachowe.

Dopilnować, żeby powietrze mogło krążyć wokół urządzenia.

Przed podłączeniem urządzenia do sieci należy odczekać co najmniej 4 godziny. Ma to na celu umożliwienie powrotu oleju do sprężarki.

Nie instalować urządzenia w pobliżu grzejników lub innych źródeł ciepła. Nie instalować urządzenia w miejscach bezpośrednio nasłonecznionych.

### Podłączenie elektryczne

#### OSTRZEŻENIE



Niebezpieczeństwo pożaru i porażenia prądem elektrycznym. Urządzenie musi być podłączone do uziemionego gniazdka. Upewnić się, że informacje elektryczne zamieszczone na tabliczce znamionowej są zgodne z parametrami zasilania. W przeciwnym razie skontaktować się z elektrykiem.

Należy zawsze używać prawidłowo zainstalowanego gniazda odpornego na wstrząsy.

Nie należy używać adapterów i przedłużaczy wielogniazdowych. Uważać, aby nie uszkodzić elementów elektrycznych (np. wtyczki sieciowej, kabla sieciowego).

W celu wymiany części elektrycznych należy skontaktować się z autoryzowanym punktem serwisowym lub elektrykiem.

Kabel sieciowy musi znajdować się poniżej poziomu wtyczki sieciowej. Wtyczkę sieciową należy podłączać do gniazda sieciowego dopiero po zakończeniu instalacji.

Po zakończeniu instalacji należy upewnić się, że wtyczka sieciowa jest podłączona do gniazdka. Nie ciągnąć za kabel sieciowy w celu odłączenia urządzenia. Zawsze ciągnąć za wtyczkę sieciową.

Ta jednostka wymaga prądu o natężeniu co najmniej 25 A do pracy sprężarki. Aby zapobiec zablokowaniu innych urządzeń elektrycznych w domu, nie należy używać żadnych przedłużaczy do tej jednostki.

### Użytkowanie

#### OSTRZEŻENIE



Niebezpieczeństwo obrażeń, oparzeń, porażenia prądem elektrycznym lub pożaru.

Nie należy zmieniać specyfikacji urządzenia. Uważać, aby nie uszkodzić obiegu czynnika chłodniczego. Zawiera on propan (R290), gaz ziemny

o wysokim poziomie ekologiczności. Gaz ten jest łatwopalny.

Jeśli obieg czynnika chłodniczego ulegnie uszkodzeniu, należy upewnić się, że w pomieszczeniu nie ma płomieni ani źródeł zapłonu. Przewietrzyć pomieszczenie.

Na urządzeniu ani w jego pobliżu nie wolno umieszczać przedmiotów łatwopalnych ani zwilżonych substancjami łatwopalnymi.

Tę jednostkę należy używać w temperaturze otoczenia nie wyższej niż 35 stopni Celsjusza.

Należy okresowo czyścić filtr powietrza, aby uzyskać najbardziej wydajne chłodzenie.

Po wyłączeniu jednostki odczekaj co najmniej 3,5 minuty zanim ją włączysz, aby zapobiec uszkodzeniu sprężarki.

Po włączeniu jednostki uruchomi się wentylator, ale sprężarka uruchomi się dopiero trzech minutach od uruchomienia się alarmu chłodzenia.

Klimatyzator można podłączyć wyłącznie do zasilania w układzie z impedancją nieprzekraczającą 0,219 Ω. W razie potrzeby skonsultuj się z odpowiednim dostawcą energii, aby uzyskać informacje o impedancji systemu.

### Utylizacja

#### OSTRZEŻENIE



Niebezpieczeństwo odniesienia obrażeń.

Odłączyć urządzenie od zasilania sieciowego.

Odłączyć kabel sieciowy i wyrzucić go.

Obieg czynnika chłodniczego urządzenia jest przyjazny dla warstwy ozonowej. Aby uzyskać informacje na temat prawidłowego wyrzucania urządzenia, skontaktować się z władzami miasta.

Nie wolno dopuścić do uszkodzenia części zespołu chłodzenia urządzenia położonej przy wymienniku ciepła.

## KONFIGUROWANIE KLIMATYZATORA DO INSTALACJI

### Transportowanie, oznakowanie i przechowywanie jednostki

1. Transport urządzeń zawierających palne czynniki chłodnicze musi się odbywać zgodnie z przepisami w tym zakresie
2. Oznakowanie urządzeń przy pomocy znaków zgodnych z lokalnymi przepisami
3. Usuwanie sprzętu wykorzystującego palne czynniki chłodnicze musi się odbywać zgodnie z przepisami państwowymi
4. Przechowywanie sprzętu/ urządzeń. Przechowywanie sprzętu musi się odbywać zgodnie z instrukcjami producenta.
5. Przechowywanie zapakowanych (niesprzedanych) urządzeń. Ochronne opakowanie służące do przechowywania powinno być tak skonstruowane, aby uszkodzenia mechaniczne wewnątrz opakowania nie spowodowały wycieku czynnika chłodniczego. Maksymalną liczbę elementów sprzętu, dozwoloną do wspólnego przechowywania, określają lokalne przepisy.
6. Urządzenie powinno być przechowywane w taki sposób, aby zapobiec uszkodzeniom mechanicznym.
7. Ogólny obszar pracy. Wszelki personel oraz inne osoby pracujące w pobliżu powinny zostać poinstruowane o charakterze wykonywanej przez siebie pracy. Należy unikać pracy w miejscach o ograniczonej przestrzeni. Obszar wokół miejsca pracy powinien

zostać wydzielony. Należy stworzyć bezpieczne warunki w miejscu pracy poprzez kontrolę materiałów palnych.

### 2. Instalowanie

#### Ważne

1. Klimatyzator można wygodnie przestawiać po pomieszczeniu. Podczas przenoszenia urządzenia należy trzymać je pionowo. Klimatyzator powinien zostać ustawiony na płaskim podłożu. Klimatyzatora nie należy ustawiać ani użytkować w łazience ani w innych wilgotnych przestrzeniach. Przeszwanie tego przenośnego klimatyzatora ułatwiają zamontowane w nim kółka. Kiedy robi się za gorąco, po prostu przynosisz przenośny klimatyzator do pomieszczenia i możesz w krótkim czasie zacząć chłodzić przestrzeń. Żeby praca klimatyzatora była możliwie jak najwydajniejsza, musi on pracować w zamkniętej przestrzeni. Zamknąć wszystkie drzwi, okna oraz inne otwory pomieszczenia na zewnątrz. Na sprawność klimatyzatora wpływa panująca temperatura oraz poziom wilgotności.

2. Ustawić klimatyzator w takim miejscu, gdzie nie będzie hamowany przepływ powietrza przed urządzeniem.
3. Pracujący w pomieszczeniu klimatyzator nie osusza – lub praktycznie nie osusza – sąsiadujących miejsc przechowywania, takich jak szafy, chyba że zapewniona jest odpowiednia cyrkulacja powietrza

z oraz do danej przestrzeni. Klimatyzator przenośny odprowadza ciepło z urządzenia przewodem wentylacyjnym przez okno lub przez

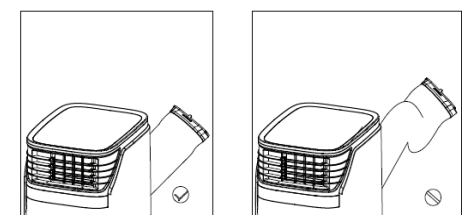
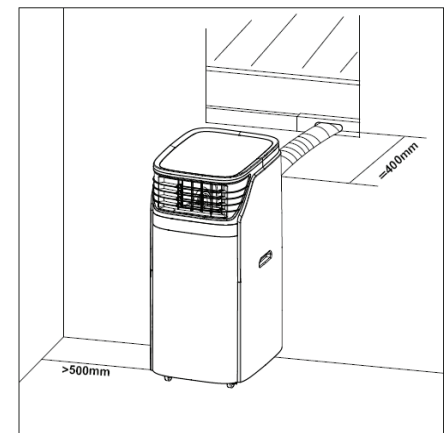
zawór wywiewu.

4. Wąż wydechowy należy rozciągać na długość nieprzekraczającą 400 mm. Wąż

wydechowy powinien być prowadzony równolegle i nie powinien być wyginany do góry ani w dół.

5. Odległość między klimatyzatorem a najbliższym położonym obiektem powinna wynosić co najmniej 50 cm; zob. na ilustracji.

6. Kiedy urządzenie rozpocznie odszranianie, na wyświetlaczu LED pojawi się symbol „DF”



## OPIS PRODUKTU

### 3. Opis produktu

- |   |  |   |
|---|--|---|
| <p><b>A</b></p> <ol style="list-style-type: none"> <li>1. Przewód wywiewu</li> <li>2. Łącznik okienny opcjonalny (nie jest dołączony)</li> <li>3. Zestaw okienny</li> <li>4. Kołek</li> <li>5. Baterie</li> <li>6. Pilot</li> <li>7. Złącze do wylotu chłodnego powietrza (Opcja)</li> </ol>  | <p><b>F</b></p> <ol style="list-style-type: none"> <li>1. KLAWISZ ZASILANIA</li> <li>2. FUNKCJA</li> <li>3. KLAWISZ REGULACJI TEMPERATURY (W GÓRĘ)</li> <li>4. KLAKLAWISZ REGULACJI TEMPERATURY (W DÓŁ)</li> <li>5. WYŚWIETLACZ L.E.D.</li> <li>6. PRĘDKOŚĆ</li> <li>7. PROGRAMOWALNY ZEGAR</li> <li>8. FUNKCJA STEROWANIA SNEM</li> <li>9. KOŁYSANIE</li> </ol>   | <p><b>J</b></p> <ol style="list-style-type: none"> <li>1. Układ elektromagnetyczny pilota. Należy używać tylko baterii 2xAAA 1.5V.</li> </ol> |
| <p><b>B</b></p> <ol style="list-style-type: none"> <li>1. Ilustracje produktu</li> </ol>  | <p><b>G</b></p> <ol style="list-style-type: none"> <li>1. Ilustracja odciążania ekranu powietrznego</li> </ol>   | <p><b>K</b></p> <ol style="list-style-type: none"> <li>1. Wkręć rurę wylotu w złącze węża.</li> </ol>   |
| <p><b>C</b></p> <ol style="list-style-type: none"> <li>1. Wylot chłodnego powietrza</li> <li>2. Panel sterowania</li> <li>3. Okrągła złączka (końcówka)</li> <li>4. Rura wylotowa</li> <li>5. Uchwyt z prawej strony</li> <li>6. Wylot gorącego powietrza</li> <li>7. Górny otwór spustowy</li> <li>8. Kratka wlotu chłodnego powietrza</li> <li>9. Uchwyt z lewej strony</li> <li>10. Kratka wlotu gorącego powietrza</li> <li>11. Dolny otwór spustowy</li> </ol> | <p><b>H</b></p> <ol style="list-style-type: none"> <li>1. Schemat oczyszczania ekranu filtra</li> </ol>  | <p><b>L</b></p> <ol style="list-style-type: none"> <li>1. Wprowadzenie do instalowania przewodu wywiewu</li> </ol>                            |
| <p><b>D</b></p> <ol style="list-style-type: none"> <li>1. Ilustracje tyłu produktu</li> </ol>   | <p><b>I</b></p> <ol style="list-style-type: none"> <li>1. POWER—Przełącznik wł./ wył.</li> <li>2. FUNC—Wybór "MODE" (trybu)</li> <li>3. TIMER—Programowanie godzinowe</li> <li>4. AUTO—Automatyczna prędkość wentylatora</li> <li>5. HI—Wysoka prędkość wentylatora</li> <li>6. MID—Średnia prędkość wentylatora</li> <li>7. LOW—Niska prędkość wentylatora</li> <li>8. SLEEP—Wybór pracy nocnej</li> <li>9. TEMP.—Wybór temperatury</li> <li>10. SWING—Kołysanie</li> </ol> | <p><b>M</b></p> <ol style="list-style-type: none"> <li>1. Instalowanie zestawu wstawki okiennej</li> </ol>                                    |
| <p><b>E</b></p> <ol style="list-style-type: none"> <li>1. Ilustracja wierzchu produktu</li> </ol>   |  | <p><b>N</b></p> <ol style="list-style-type: none"> <li>1. Otwór na wstawkę dla zestawu okiennego</li> </ol>                                   |
|   |  | <p><b>O</b></p> <ol style="list-style-type: none"> <li>1. Ilustracja wylotu wody</li> </ol>   |

## DZIAŁANIE POSZCZEGÓLNYCH TRYBÓW PRACY ORAZ OPISY INSTALACJI

### A. Akcesoria

Po rozpakowaniu sprawdź, czy w zestawie znajdują się wyżej wymienione akcesoria i upewnij się, że znasz ich zastosowania, które wymienione są we wprowadzeniu do montażu zawartym w tym podręczniku. Złącze wylotu chłodnego powietrza jest opcjonalne.

### B. Klimatyzator przenośny

### J. Wygląd i funkcje pilota.

Uwaga:– Nie upuszczaj pilota.– Nie pozostawiaj pilota w miejscu wystawionym na działanie promieni słonecznych.

### M. Wprowadzenie do obsługi

Przed przystąpieniem do obsługi urządzenia opisanej w tej sekcji:

- 1) Upewnij się, że w pobliżu znajduje się źródło zasilania.
- 2) Zamontuj przewód wylotowy i dobrze dopasuj położenie okna.
- 3) Dobrze podłącz przewód spustowy (tylko w przypadku modelu z funkcją ogrzewania);
- 4) Podłącz przewód zasilania do uziemionego gniazdka AC 220 ~ 240 V / 50 Hz.
- 5) Naciśnij przycisk POWER, aby włączyć klimatyzator.

### K&L. Wprowadzenie do montażu przewodu wylotowego

#### A) Montaż tymczasowy

1. Wkręć przewód wylotowy w złącze przewodu i podłącz go do wylotu z tyłu klimatyzatora.
2. Poprowadź drugi koniec przewodu wylotowego do najbliższego parapetu.

### N. Montaż zestawu z suwakiem okiennym

Sposób montażu zestawu z suwakiem okiennym odbywa się przede wszystkim „w poziomie” i „w pionie”. Przed przystąpieniem do montażu sprawdź min. i maks. wymiary okna, jak pokazano na Rys. 5 i 5a.

1. Zamontuj zestaw na oknie;
2. Wyreguluj wysokość zestawu zgodnie z szerokością lub wysokością okna, a następnie przymocuj go za pomocą kołka ustalającego.
3. Włóż złącze przewodu okiennego do otworu pod zestaw okienny.

### O. Funkcja pełnego alarmu w wewnętrznym zbiorniku na wodę

Wewnętrzny zbiornik na wodę w klimatyzatorze wyposażony jest jedynie w

przełączniki bezpieczeństwa monitorujące poziom wody. Gdy poziom wody osiągnie wyznaczoną wysokość, zaświeci się wskaźnik świetlny oznaczający pełne wypełnienie (w takim przypadku wyjmij gumowy korek na spodniej części urządzenia, a woda wyleje się na zewnątrz).

### H. Objasnienie prac konserwacyjnych:

**Filtr należy czyścić regularnie, w przeciwnym razie klimatyzator może utracić funkcjonalność, a nawet ulec uszkodzeniu.**

- 1) Przed rozpoczęciem czyszczenia upewnij się, że urządzenie jest odłączone od gniazdka elektrycznego;
- 2) Nie używaj benzyny ani innych rozpuszczalników do czyszczenia urządzenia;
- 3) Nie wylewaj wody bezpośrednio na urządzenie;
- 4) Jeśli klimatyzator ulegnie uszkodzeniu, skontaktuj się ze sprzedawcą lub warsztatem.

#### 1. Filtr powietrza

– Aby zapobiec zablokowaniu filtra powietrza przez kurz/brud, należy go czyścić raz na dwa tygodnie.  
– Demontaż  
Otwórz kratkę wlotu powietrza i wyjmij filtr powietrza.  
– Czyszczenie

Wyczyść filtr powietrza neutralnym środkiem czyszczącym w ciepłej wodzie (40°C), a następnie zostaw w zacienionym miejscu do wysuszenia.

– Montaż  
Włóż filtr powietrza do kratki wylotu, umieść części ponownie na swoim miejscu.

2. Wyczyść powierzchnie klimatyzatora. W tym celu wyczyść najpierw powierzchnie neutralnym środkiem czyszczącym i wilgotną szmatką, a następnie przetrzyj suchą.

#### E. Przed użyciem

Sprawdź, czy przewód wylotowy został zamontowany poprawnie. Prestrogi dotyczące chłodzenia i osuszania:– Kor-

zystając z funkcji chłodzenia i osuszania, między naciśnięciem każdego przycisku POWER zachowaj co najmniej 3-minutowy odstęp czasowy.

- Zasilanie spełnia wymagania.
- Gniazdko nadaje się do użycia z prądem AC.
- Używając wielu urządzeń, nie korzystaj z tego samego gniazdka.
- Zasilanie:  
220 – AC 220 ~ 240 V

W stanie odłączonym: Żadne klawisze ani lampki sygnalizacyjne nie są widoczne. W stanie podłączonym: Lampki klawiszy zasilania i zegara w stanie pracy są zaświecone do połowy.

#### 1. KLAWISZ ZASILANIA

Wciśnij, aby włączyć („ON”) lub wyłączyć („OFF”) urządzenie

#### 2. FUNKCJA

Wciśnij ten klawisz, aby wybrać chłodzenie, osuszanie lub wentylator.

#### 3. KLAWISZ REGULACJI TEMPERATURY (W GÓRĘ)

Podczas funkcji chłodzenia: Ten klawisz zwiększa ustawioną temperaturę o 1°C za każdym przyciśnięciem do limitu maksymalnego 30°C. Podczas funkcji ogrzewania (tylko model Duo) przycisk ten wydłuża czas o jedną godzinę po każdym naciśnięciu, wraz z wydłużeniem cyklu. Podczas funkcji zegara: Zwiększanie czasu zegara. Ten klawisz zwiększa czas o 1 godzinę za każdym jego naciśnięciem oraz wydłuża cykl pracy.

#### 4. KLAWISZ REGULACJI TEMPERATURY (W DÓŁ)

Podczas funkcji chłodzenia: Ten klawisz obniża wstępnie ustawioną temperaturę o 1°C za każdym jego naciśnięciem, aż do minimalnego limitu wynoszącego 17°C. Podczas funkcji ogrzewania (tylko model Duo) przycisk ten podnosi ustawioną temperaturę o 1°C za każdym naciśnięciem, z maksymalnym limitem ustawionym na 30°C. Podczas funkcji zegara: Zmniejszanie czasu pracy zegara: Ten klawisz zmniejsza czas o 1 godzinę za każdym jego naciśnięciem, skracając cykl pracy

#### 5. WYŚWIETLACZ L.E.D.

Wyświetlacz wskazuje bieżące ustawienie

## DZIAŁANIE POSZCZEGÓLNYCH TRYBÓW PRACY ORAZ OPISY INSTALACJI

temperatury lub ustawienie zegara. Po zmianie ustawionej temperatury lub czasu pracy zegara, nowe ustawienie zostanie wyświetlone, po czym wskazanie wyświetlacza wraca do aktualnie ustawionej temperatury.

※ Wyświetlacz służy również do pokazywania kodów błędów w przypadku wystąpienia błędu, zobacz ERROR CODES (kody błędów)

### 6. PRĘDKOŚĆ

**Chłodzenie:** Wciśnij, aby wybrać prędkość wentylatora: LOW (niska), MEDIUM (średnia), HIGH (wysoka) lub AUTO (automatyczna). Po wybraniu „AUTO”, automatycznie zostanie wybrana prędkość „HIGH”, „MEDIUM” lub „LOW”, w zależności od różnicy pomiędzy temperaturą ustawioną, a temperaturą otoczenia. Temperatura otoczenia-Ustawienie temperatury >4°C : Maszyna ma wysoką prędkość wentylatora. 2°C ≤ Temperatura otoczenia-Ustawienie temperatury ≤ 4°C: Maszyna ma średnią prędkość wentylatora.

0°C ≤ Temperatura otoczenia-Ustawienie temperatury ≤ 2°C : Maszyna ma niską prędkość wentylatora.

**Wentylator:** Wciśnij, aby wybrać prędkość wentylatora: LOW (niska), MEDIUM (średnia), HIGH (wysoka) lub AUTO (automatyczna).

\* Należy pamiętać, że automatyczną prędkość wiatru można ustawić tylko w trybach ogrzewania (tylko model Duo) i chłodzenia.

Uwaga: W funkcji osuszania ten klawisz jest nieaktywny, ponieważ urządzenie posiada fabryczne ustawienie na małą prędkość w funkcji osuszania.

### 7. PROGRAMOWALNY ZEGAR

Klawisz ON/OFF (wł./wył.) programowalnego zegara. TIMER-ON (zegar wł.): Ustawienia „timer on” używa się do automatycznego włączania urządzenia po upływie nastawionego czasu.

1) Wciśnij klawisz „TIMER” w trybie gotowości, aby ustawić żądany czas.

2) Po upływie ustawionej godziny czasu pracy urządzenie automatycznie się wyłączy.

3) Wciśnij klawisz „POWER” (zasilanie) przed upłynięciem czasu pracy, czas ustawienia zostanie anulowany, a urządzenie się wyłączy.

4) Podczas ustawiania zegara możesz ustawić również funkcję i prędkość wentylatora. TIMER-OFF (zegar wył.): Ustawienia „timer off” używa się do automatycznego wyłączania urządzenia po upływie nastawionego czasu.

1) Wciśnij klawisz „TIMER” w trybie pracy, aby ustawić żądany czas.

2) Po upływie ustawionej godziny czasu pracy urządzenie automatycznie się wyłączy.

3) Wciśnij klawisz „POWER” (zasilanie) przed upłynięciem czasu pracy, czas ustawienia zostanie anulowany, a urządzenie się wyłączy.

### 8. FUNKCJA STEROWANIA SNEM

1) W trybie chłodzenia wciśnij klawisz SLEEP (sen), aby ustawić temperaturę. Powoduje to jej zwiększenie o 1°C po upływie godziny, a maksymalnie o 2°C po upływie 2 godzin.

2) Ponowne wciśnięcie klawisza SLEEP spowoduje anulowanie ustawienia.

### 9. KOŁYSANIE

Wciśnij klawisz „swing” (kołysanie), aby uruchomić kołysanie łopatek na wylocie powietrza. Po ponownym wciśnięciu tego klawisza kołysanie zostanie zatrzymane.

### 10. ALARM

Kiedy zbiornik wody się zapełni, na wyświetlaczu pojawi się komunikat „E4”. Aby wznowić działanie urządzenia, zdejmij gumową zatyczkę z węża spustowego i spuść wodę. Komunikat „E4” zniknie po spuszczeniu wody. Teraz można ponownie włączyć urządzenie, wciskając klawisz POWER.

### Konserwacja

Wyczyść urządzenie miękką, wilgotną szmatką. Nie używaj rozpuszczalników ani silnych środków czyszczących, ponieważ mogą uszkodzić powierzchnie klimatyzatora.

### Serwis

Jeśli klimatyzator wymaga serwisowania, skontaktuj się najpierw z lokalnym sprzedawcą detalicznym. W razie roszczeń z tytułu gwarancji należy przedstawić dowód zakupu.

**Instrukcje przechowywania**  
Koniec okresowego przechowywania.

1) Odkręć pokrywę spustową i wyciągnij zatyczkę, aby całkowicie spuścić skropliny.

2) Aby całkowicie wysuszyć wnętrze urządzenia i zapobiec tworzeniu się pleśni, włącz urządzenie w trybie wentylatora i zostaw działające na pół dnia.

3) Wyłącz urządzenie, wyciągnij wtyczkę, a następnie owiń kabel zasilania wokół słupka do zwijania; włóż wtyczkę do uniwersalnego otworu złącznego na tylnym panelu urządzenia, a następnie zamontuj zatyczkę wodną i pokrywę spustową.

4) Zdejmij zespół przewodu wylotu ciepła, wyczyść i złóż prawidłowo.

5) Zapakuj klimatyzator prawidłowo w miękką, plastikową torbę i umieść go w suchym, chroniącym przed kurzem miejscu. Trzymaj urządzenie z dala od dzieci.

6) Wyjmij baterie z pilota i przechowuj je prawidłowo.

Uwaga:

Upewnij się, że urządzenie jest przechowywane w suchym miejscu.

Wszystkie akcesoria urządzenia należy prawidłowo zabezpieczyć.

Uchwyt kabla zasilania i uniwersalne gniazdko mogą dobrze zabezpieczyć kabel zasilania.

Inteligentne, przyjazne środowisku i energooszczędne urządzenie z systemem samoodparowującym.

Funkcja 24-godzinnego czasomierza, niepowtarzalna funkcja muzyki służącej jako przypomnienie, którą można wł./wył.

Zabezpieczenie przed ponownym uruchomieniem sprężarki z 3,5-minutowym opóźnieniem i wiele innych funkcji ochronnych.

PROBLEM	PRZYCZYNA	ROZWIĄZANIE
Urządzenie nie uruchamia się.	Awaria zasilania. Wypełnienie wodą, powiązana ikona migocze. Temperatura otoczenia zbyt niska lub zbyt wysoka. Temperatura panująca w pomieszczeniu jest niższa od nastawionej temperatury trybu chłodzenia lub wyższa od nastawionej temperatury trybu ogrzewania.	Podłączyć urządzenie do gniazdka będącego pod napięciem, po czym uruchomić je. Spuścić wodę zgromadzoną w urządzeniu. Zaleca się nastawianie urządzenia na temperatury w przedziale od +8 do +35°C. Zmienić nastawę temperatury.
Chłodzenie jest nieskuteczne.	Na urządzenie bezpośrednio pada światło słoneczne. Drzwi lub okna są otwarte albo w pomieszczeniu przebywa wiele osób lub obecne są inne źródła ciepła. Filtr uległ zabrudzeniu. Wlot lub wylot powietrza jest niedrożny.	Zasłonić okna. Zamknąć drzwi i okna oraz zabrać inne źródła ciepła. Oczyścić lub wymienić siatkę filtra. Usunąć niedrożność.
Wysoki poziom hałasu.	Urządzenie stoi na nierównej powierzchni.	Ustawić urządzenie na płaskim i solidnym podłożu – to może obniżyć poziom hałasu.
Sprężarka nie pracuje.	Załączenie zabezpieczenia przeciążeniowego.	Odczekać, aż temperatura spadnie – wtedy urządzenie uruchomi się z powrotem samoczynnie.
Pilot nie działa.	Za duża odległość. Pilot nie został skierowany na odbiornik sygnału urządzenia. Baterie są wyczerpane.	Zbliżyć pilot do klimatyzatora i skierować go na odbiornik sygnału urządzenia. Wymienić baterie.
<p>W razie problemów z osuszaczem należy odwoływać się do poniższych opisów problemów. Gdyby zastosowanie się do żadnej z poniższych wskazówek nie rozwiązało problemu, należy skontaktować się z detalistą w celu poddania klimatyzatora obsłudze serwisowej.</p>		

Kody błędów	PRZYCZYNA	ROZWIĄZANIE
Kod E1	Zwarcie elektryczne na czujniku temperatury z PCB	Zleć naprawę wykwalifikowanemu elektrykowi
Kod E2	Zwarcie elektryczne miedzianej rurki czujnika temperatury z okablowaniem PCB	Zleć naprawę wykwalifikowanemu elektrykowi
Kod E4	Wskazuje na pełen zbiornik wody lub zły kontakt wtyczki zasilającej	Optymalna temperatura otoczenia do funkcji chłodzenia wynosi 17 -3 5 °C. Parametry bezpiecznika: 5ET lub SMT, 3,15A, 250 VAC.

## Gwarancje

2 lata gwarancji konsumenckiej na wady produkcyjne. Należy pamiętać, że gwarancja obowiązuje tylko pod warunkiem okazania dowodu zakupu. Gwarancja obowiązuje tylko w przypadku, gdy produkt jest używany zgodnie z instrukcją i ostrzeżeniami dotyczącymi bezpieczeństwa zawartymi w niniejszej instrukcji. Gwarancja nie obejmuje uszkodzeń spowodowanych niewłaściwą obsługą produktu.

**UWAGA:** 2-letnia gwarancja dotyczy wyłącznie konsumentów – nie stosuje się ona do komercyjnego użytku urządzenia.



### UWAGA!

Dokonaj rejestracji produktu na stronie [www.warranty-woods.com](http://www.warranty-woods.com) – stamtąd też dowiesz się, jak uzyskać gwarancję rozszerzoną. Więcej informacji znajdziesz na stronie [www.woods.se](http://www.woods.se).

### Zalecane warunki graniczne eksploatacji

Optymalna temperatura otoczenia do funkcji chłodzenia wynosi 17 -35 °C. Parametry bezpiecznika: 5ET lub SMT, 3,15A, 250 VAC.

DANE TECHNICZNE	Palermo 18K	Palermo 18K Duo A+	Palermo 22K
Moc chłodnicza	5,3 KW	5,3 KW	6,5 KW
Wydajność grzewcza		5,0 KW	
Pobór mocy chłodzenie/ogrzewanie	2,030 KW	1,7 KW/1,65KW	2,500 KW
Przepływ powietrza	950 m <sup>3</sup> /h	950 m <sup>3</sup> /h	950 m <sup>3</sup> /h
Klasa energetyczna	A	A+	A
Osuszanie	90 L/24 h	90 L/24 h	120 L/24 h
Nastawa temperatury	17-30 °C	17-30 °C	17-30 °C
Temperatura eksploatacji chłodzenie/ogrzewanie	16-35 °C	16-35 °C / heating7-23°C	16-35 °C
EER chłodzenie/ogrzewanie	2,6	3,1/ 3,0	2,6
Gazowy czynnik chłodniczy	R290/264g	R290/250g	R290/369g
Poziom hałasu, w decybelach	65dB	65dB	65dB
Masa	51 kg/60 kg	51,5 kg/60,5 kg	52 kg/61 kg
Wymiary, w milimetrach (dł. × szer. × wys.)	540 x 695 x 1140	540 x 695 x 1140	540 x 695 x 1140

\* Możliwe są zmiany i udoskonalenia techniczne. Wszystkie wartości są podane w przybliżeniu i mogą różnić się w zależności od warunków zewnętrznych, takich jak temperatura, wentylacja i wilgotność.



#### Uwaga: Ochrona środowiska i utylizacja

- Konsumentom są prawnie zobowiązani do prawidłowego utylizowania urządzeń elektronicznych, lamp i baterii po zakończeniu ich okresu użytkowania.
- Można je bezpłatnie zwrócić w wyznaczonych punktach zbiórki lub za pośrednictwem sprzedawców detalicznych.
- Usunięcie danych osobowych leży w gestii konsumenta.
- Żarówki i baterie, które można bezpiecznie wyjąć i które nie są zamontowane na stałe, należy oddzielić w celu oddzielnej utylizacji.
- Szczegółowe informacje dotyczące utylizacji zgodnej z przepisami prawa regulują przepisy regionalne.
- Symbol przekreślonego kosza na śmieci oznacza, że urządzenia elektroniczne i baterie nie mogą być wyrzucane wraz z odpadami komunalnymi po zakończeniu okresu użytkowania.
- Symbole umieszczone pod pojemnikiem na odpady wskazują na możliwą obecność niektórych substancji (otłów = Pb, rtęć = Hg, kadm = Cd).
- Segregacja ta jest konieczna, ponieważ baterie i urządzenia elektroniczne zawierają zarówno cenne surowce, jak i substancje szkodliwe dla ludzi i środowiska.
- Poprzez recykling, zbiórkę i ponowne wykorzystanie baterii i odpowiednich urządzeń elektronicznych przyczyniacie się Państwo do ochrony środowiska i zdrowia ludzkiego.

## WOOD'S ESTE SINONIM CU AERUL CURAT ȘI SĂNĂTOS ÎN ÎNCĂPERI

Marca Wood's s-a născut acum peste 65 de ani, în orașul canadian Guelph din Ontario. Acolo a început Wood's, în 1950, să dezvolte și să fabrice dezumidificatoare. Între timp Wood's a ajutat sute de mii de familii să evite stricăciunile provocate de igrasie și să respire aer curat. Aparatele noastre de aer condiționat portabile se pot folosi în majoritatea zonelor climatice, capacitatea fiind foarte bună la diferite temperaturi și umidități. Acestea sunt folosite cu rezultate bune în spații care se supraîncălzesc: sufragerii, birouri și dormitoare. Cantitatea de aer fierbinte evacuată de aparat depinde de temperatură, umiditate și amplasare. Și condițiile meteorologice externe pot afecta performanțele aparatului de aer condiționat.

Aparatele de aer condiționat Wood's sunt sigure în funcționare și au fost concepute pentru a fi utilizate continuu, timp de mulți ani.

## CUM FUNCȚIONEAZĂ APARATUL DE AER CONDIȚIONAT?

Presiunea mică înseamnă aer rece. Elementul principal al aparatului de aer condiționat este agentul frigorific. La presiune mică acesta se transformă în gaz. Procesul „face frig”, care se transmite spre interior, în timp ce aerul cald este evacuat. Agentul frigorific lichid trece printr-o valvă de expansiune și ajunge într-o conductă în care presiunea este redusă.

Agentul se evaporă și se transformă în gaz. Procesul absoarbe căldura din mediu, iar conducta se răcește.

Un ventilator împinge aerul rece în încăpere.

Gazul trece printr-un compresor, care îi crește presiunea și îl transformă din nou în lichid.

În acest proces se degajă căldură, care este condusă în direcție opusă și evacuată cu un ventilator.

În momentul în care aerul din interior este suficient de rece, un termostat oprește aparatul.

## 1. AVERTIZĂRI DE SIGURANȚĂ



Substanță inflamabilă. Acest aparat conține R290/ propan, un agent frigorific inflamabil.



Pentru informații despre siguranță, consultați acest manual.



Citiți manualul tehnic



Citiți manualul operatorului.

### INFORMAȚII PRIVIND SIGURANȚA

Înainte de instalarea și utilizarea aparatului, citiți cu atenție instrucțiunile furnizate. Producătorul nu își asumă nicio răspundere pentru vătămările și daunele provocate de instalarea și utilizarea incorecte. Păstrați întotdeauna instrucțiunile împreună cu aparatul, pentru referință ulterioară.

### Siguranța copiilor și a persoanelor vulnerabile



#### AVERTIZARE

Pericol de vătămare sau handicap permanent.

Acest aparat poate fi utilizat de copiii de cel puțin 8 ani și de persoanele cu capacități fizice, senzoriale sau mentale reduse ori lipsite de experiență și cunoștințe, cu condiția să fie supravegheate sau instruite cu privire la utilizarea aparatului în condiții de siguranță și să înțeleagă pericolele implicate.

Nu lăsați copiii să se joace cu aparatul.

Feriți sau supravegheați permanent copiii sub 3 ani.

Nu lăsați ambalajele la îndemâna copiilor.

Curățarea și întreținerea de către utilizator nu trebuie efectuate de copii nesupravegheați.

### Siguranță generală

Acest aparat este destinat utilizării în locuințe și medii asemănătoare, cum ar fi: sufragerie, living, bucătăriile magazinelor, birourilor și ale altor spații. Plăcuța indicatoare este amplasată pe spatele aparatului de aer condiționat.

Păstrați zonele de refulare/evacuare de aer libere.

Nu utilizați dispozitive mecanice sau alte mijloace pentru accelerarea procesului de dezghețare, altele decât cele recomandate de producător.

Aparatul nu se va depozita într-o încăpere cu surse de aprindere în funcțiune (de exemplu, flăcări deschise, aparate cu gaz sau încălzitoare electrice în funcțiune). Nu străpungeți aparatul și nu-i dați foc.

Atenție: agenții frigorifici nu conțin mirosuri. Nu folosiți pulverizare cu apă și aburi pentru a curăța dispozitivul. Curățați dispozitivul cu o cârpă moale umedă. Utilizați numai detergenți neutri. Nu folosiți produse abrazive, lavete abrazive, solvenți sau obiecte metalice. Dacă s-a deteriorat cablul de alimentare, acesta trebuie înlocuit de producător, de centrul autorizat de deservire sau de persoane cu

calificare similară, pentru a evita pericolele.

## INSTRUCȚIUNI DE SIGURANȚĂ

### Instalare

#### AVERTIZARE



Acest aparat trebuie să fie instalat de o persoană calificată.

Îndepărtați toate materialele de ambalare.

Nu instalați și nu folosiți aparatul dacă este deteriorat. Aparatul trebuie să fie instalat, utilizat și depozitat într-o încăpere cu o suprafață utilă de peste 13 m<sup>2</sup> (AC Palermo 18K) / 25 m<sup>2</sup> (AC Palermo 22K). Respectați instrucțiunile de instalare furnizate cu aparatul.

Aveți întotdeauna grijă atunci când mutați dispozitivul, deoarece acesta este greu. Purtați întotdeauna mănuși de protecție. Atenție: agenții frigorifici nu conțin odorizante.

Asigurați-vă că aerul circulă liber în jurul aparatului.

Așteptați cel puțin 4 ore înainte de a conecta dispozitivul la sursa de alimentare. Acest lucru permite uleiului să curgă înapoi în compresor.

Nu instalați dispozitivul în apropierea radiatoarelor sau a altor surse de căldură.

Nu instalați aparatul în bătaia directă a razelor soarelui.

### Conexiune electrică

#### AVERTIZARE



Pericol de incendiu și de electrocutare.

Aparatul trebuie să fie conectat la o priză cu împământare.

Asigurați-vă că sursa de curent respectă specificațiile electrice

de pe plăcuța indicatoare. În caz contrar, contactați un electrician. Utilizați întotdeauna o priză rezistentă împotriva șocurilor instalată corect.

Nu utilizați adaptoare pentru multiple ștechere și cabluri prelungitoare.

Asigurați-vă că nu deteriorați componentele electrice (de ex. ștecher de alimentare, cablul de alimentare).

Contactați centrul autorizat de deservire sau un electrician pentru a schimba componentele electrice.

Cablul de alimentare trebuie să fie sub nivelul ștecherului de alimentare.

Conectați ștecherul de alimentare la priza electrică numai la sfârșitul instalării.

Asigurați-vă că există acces la ștecherul de rețea după instalare.

Nu trageți cablul de alimentare pentru a deconecta dispozitivul. Trageți întotdeauna de ștecherul de alimentare.

Această unitate necesită curent electric la cel puțin 25 Amp ca să funcționeze compresorul. Pentru a evita blocarea electricității de uz rezidențial, nu utilizați un prelungitor pentru această unitate.

### Utilizare

#### AVERTIZARE



Pericol de vătămare, arsuri, electrocutare sau incendiu. Nu modificați caracteristicile tehnice ale acestui dispozitiv.

Aveți grijă să nu provocați deteriorarea circuitului de agent frigorific. Acesta conține propan (R290), un gaz natural cu un nivel ridicat de compatibilitate cu mediul.

Acest gaz este inflamabil.

Dacă s-a deteriorat circuitul de agent frigorific, asigurați-vă că în încăperea nu sunt flăcări și surse de aprindere. Ventilați încăperea. Nu puneți lângă aparat produse inflamabile sau obiecte umezite cu produse inflamabile.

Utilizați unitatea într-un mediu de 35 de grade Celsius sau mai puțin.

Curățați periodic filtrul de aer pentru a beneficia de cea mai eficientă răcire. Când unitatea este oprită, așteptați cel puțin 3,5 minute înainte de a o reporni, pentru a împiedica defectarea compresorului. Când porniți unitatea, ventilatorul funcționează,

dar compresorul pornește după ce alarma de răcire luminează intermitent timp de trei minute.

Aparatul de aer condiționat se poate conecta doar la o sursă cu o impedanță a sistemului de cel mult 0,219 Ω. Dacă este necesar, consultați autoritatea furnizoare pentru informații privind impedanța sistemului.

### Eliminare

#### AVERTIZARE



Pericol de vătămare.

Deconectați aparatul de la rețeaua de alimentare.

Tăiați cablul de alimentare și aruncați-l.

Circuitul de agent frigorific al acestui dispozitiv este prietenos cu stratul de ozon. Contactați autoritatea locală pentru a obține informații despre modul în care să aruncați corect dispozitivul.

Aveți grijă să nu deteriorați partea unității de răcire aflată în apropierea schimbătorului de căldură.

## PREGĂTIREA APARATULUI DE AER CONDIȚIONAT PENTRU INSTALARE

### Transportarea, marcarea și depozitarea unităților

1. Transportarea echipamentelor care conțin agenți de răcire inflamabili Conformitatea cu reglementările de transport
2. Marcarea echipamentelor folosind semnele Conformitatea cu reglementările locale
3. Casarea echipamentelor care utilizează agenți de răcire Conformitatea cu reglementările naționale
4. Depozitarea echipamentelor/ aparatelor Depozitarea echipamentelor trebuie să se facă în conformitate cu instrucțiunile producătorului.
5. Depozitarea echipamentului ambalat (nevândut) Protecția ambalajului de depozitare trebuie realizată astfel încât deteriorarea mecanică a echipamentului din interiorul ambalajului să nu determine scurgerea agentului de răcire încărcat. Numărul maxim de componente de echipament care pot fi stocate împreună va fi determinat de reglementările locale.
6. Aparatul trebuie depozitat astfel încât să împiedice producerea deteriorărilor mecanice.
7. Zona de activitate generală Întreg personalul de întreținere și celelalte persoane care lucrează în zona locală trebuie instruiți în legătură cu natura activității desfășurate. Trebuie evitat lucrul în spații închise. Zona din jurul spațiului de lucru trebuie delimitată. Asigurați-vă că toate condițiile din acea zonă sunt sigure,

prin controlarea materialelor inflamabile.

## 2. Instalare

### Important

1. Aparatul de aer condiționat se poate deplasa cu ușurință în încăpere. Țineți-l în poziție verticală în timp ce-l mișcați. Aparatul de aer condiționat trebuie așezat pe o suprafață plană. Nu instalați și nu utilizați aparatul de aer condiționat în baie sau în alte medii umede. Aparatul de aer condiționat portabil are roți, ceea ce facilitează deplasarea. Dacă se face cald într-o încăpere, pur și simplu duceți acolo aparatul de aer condiționat și puteți începe imediat să răciți spațiul. Aparatul de aer condiționat funcționează optim numai în spații închise. Închideți toate ușile, ferestrele și celelalte deschideri ale încăperii. Randamentul aparatului de aer condiționat depinde de temperatură și de umiditate.

2. Așezați aparatul de aer condiționat astfel încât aerul să circule fără probleme prin partea frontală a echipamentului.

3. Funcționarea unui aparat de aer condiționat într-o încăpere nu influențează semnificativ uscarea unui spațiu de depozitare închis adiacent, cum ar fi un dulap, decât dacă aerul circulă liber spre și dinspre zona respectivă.

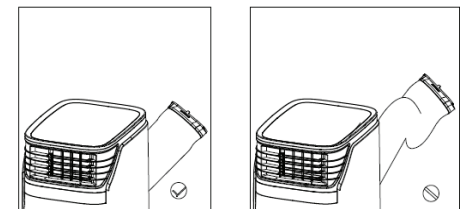
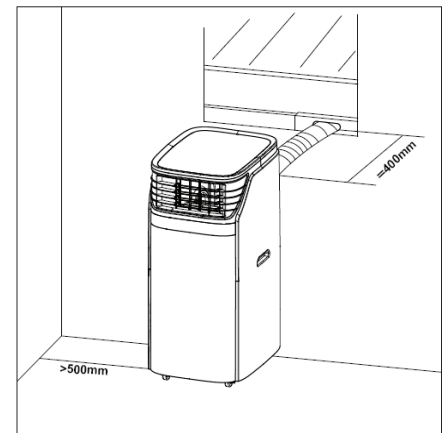
Aparatul de aer condiționat portabil evacuează căldura din unitate printr-un furtun de aerisire. Acesta se scoate prin deschizătura ferestrei sau printr-o valvă de evacuare.

4. Prelungiți furtunul de evacuare la o lungime de cel mult 400 mm. Furtunul de evacuare trebuie menținut paralel și trebuie îndoit în sus sau în jos.

5. Aparatul de aer condiționat trebuie să stea la cel puțin 50 cm de cel mai apropiat

obiect. Consultați figura.

6. Când aparatul începe dezghețarea, pe afișaj apare cuvântul „DF”



## DESCRIEREA PRODUSULUI

### 3. Descrierea produsului

#### A

1. Furtun de evacuare
2. Racord de fereastră opțional (nu este inclus)
3. Kit pentru fereastră
4. Pivot
5. Baterii
6. Telecomandă
7. Conector pentru ieșirea aerului rece (opțional)

#### B

1. Imagini cu produsul

#### C

1. Ieșire aer rece
2. Panou de comandă
3. Adaptor (capăt) rotund
4. Furtun de evacuare
5. Mânerul de pe partea dreaptă
6. Ieșire aer cald
7. Furtun de golire îndreptat în sus
8. Grilaj de admisie pentru aer rece
9. Mânerul de pe partea stângă
10. Grilaj de admisie pentru aer cald
11. Furtun de golire îndreptat în jos

#### D

1. Imagini cu produsul văzut din spate

#### E

1. Imagine cu produsul văzut de sus

#### F

1. TASTĂ DE PORNIRE
2. FUNCȚIE
3. TASTĂ DE REGLARE A TEMPERATURII (SUS)
4. TASTĂ DE REGLARE A TEMPERATURII (JOS)
5. AFIȘAJ CU LEDURI
6. VITEZĂ
7. TEMPORIZATOR PROGRAMABIL
8. FUNCȚIE DE CONTROL PENTRU SOMN
9. BASCULARE

#### G

1. Imagine cu filtrul de aer

#### H

1. Diagramă pentru curățarea sitei de filtru

#### I

1. POWER - întrerupător pornit/oprit
2. FUNC - selector pentru funcția „MODE” (mod)
3. TIMER - programare pe ore
4. AUTO - viteza automată a ventilatorului
5. HI - viteză ridicată a ventilatorului
6. MID - viteză medie a ventilatorului
7. LOW - viteză scăzută a ventilatorului
8. SLEEP - selector pentru funcționarea pe timp de noapte
9. TEMP. - selector pentru temperatură
10. SWING - balansare

#### J

1. Instalarea telecomenzii, aspecte electro-magnetice. Utilizați numai baterii 2 x AAA 1,5 V.

#### K

1. Răsuciți furtunul de evacuare în conectorul pentru furtun.

#### L

1. Introducere în instalarea furtunului de evacuare

#### M

1. Instalarea kitului de fixare pe fereastră

#### N

1. Montați deschiderea setului de fereastră

#### O

1. Imagine cu picătură de apă

## MODURILE DE FUNCȚIONARE ȘI DESCRIERILE OPERAȚIILOR DE INSTALARE

### A. Accesorii

După despachetare, vă rugăm să verificați dacă sunt incluse accesoriile menționate mai sus și să verificați cum se utilizează acestea în partea de introducere despre instalare cuprinsă în acest manual. Conectorul pentru ieșirea aerului rece este opțional.

### B. Aparat portabil de Aer condiționat

#### J. Aspectul și funcția telecomenzii.

Note: - Nu scăpați telecomanda pe jos - Nu așezați telecomanda într-un loc expus direct la lumina a soarelui.

### M. Funcționare - Introducere

Înainte de a începe operațiunile cuprinse în această secțiune:

- 1) Găsiți un loc în apropierea căruia există o sursă de alimentare cu energie electrică
- 2) Instalați furtunul de evacuare și reglați bine poziția ferestrei.
- 3) Conectați bine furtunul de scurgere (numai pentru utilizarea modelului care oferă și încălzire);
- 4) Introduceți cablul de alimentare într-o priză AC220 ~ 240V / 50Hz împământată;
- 5) Apăsăți butonul POWER pentru a porni aparatul de aer condiționat.

K&L. Introducere despre instalarea furtunului de evacuare

#### A) Instalare temporară

1. Răsuciți furtunul de evacuare în conectorul pentru furtun și în evacuarea din partea din spate a aparatului de aer condiționat.
2. Plasați celălalt capăt al furtunului de evacuare pe pervazul din apropiere.

N. Instalarea kitului glisant pentru ferestre  
Modul de instalare a setului glisant pentru ferestre este, mai ales, în poziție „orizontală” și „verticală”. Așa cum se ilustrează în Fig. 5 și Fig. 5a, înainte de instalare ar trebui să verificați valoarea minimă și pe cea maximă a dimensiunii ferestrei.

1. Instalați kit-ul pentru ferestre pe ferestră;
2. Reglați lungimea kitului glisor pentru ferestră în funcție de lățimea sau înălțimea ferestrei și fixați-l apoi cu diblul;
3. Introduceți furtunul conectorului pentru ferestre în orificiul kit-ului pentru ferestre.

### O. Funcția de alarmă a nivelului apei pen-

### tru rezervorul intern

Rezervorul intern de apă din aparatul de aer condiționat are un singur comutator de siguranță pentru nivelul apei și controlează nivelul apei. Când nivelul apei atinge înălțimea anticipată, se aprinde lampa indicatoare a nivelului de apă. (când apa este la nivel maxim, vă rugăm să îndepărtați opritorul de cauciuc din partea de jos a unității și apoi toată apa va fi evacuată în exterior.)

### H. Declarație privind explicațiile pentru întreținere:

*Este foarte important ca filtrul să fie curățat la intervale regulate. În caz contrar, aparatul de aer condiționat poate pierde din capacitate și chiar se poate deteriora grav.*

- 1) Înainte de curățare, asigurați-vă că deconectați unitatea de la orice priză electrică;
- 2) Nu utilizați benzină sau alte substanțe chimice pentru a curăța unitatea;
- 3) Nu spălați unitatea în mod direct;
- 4) Dacă aparatul se deteriorează, vă rugăm să contactați distribuitorul sau atelierul de reparații.

#### 1. Filtrul de Aer:

-Dacă filtrul de aer se înfundă cu praf/murdărie, acesta trebuie curățat o dată la două săptămâni.

#### -Demontare

Deschideți grilajul de intrare a aerului și scoateți filtrul de aer.

#### -Curățarea

Curățați filtrul de aer cu detergent neutru și apă caldă (40° C) și uscați-l la umbră.

#### -Montare

După ce introduceți filtrul de aer în grilajul de intrare a aerului, aranjați componentele așa cum erau înainte.

2. Curățați suprafața aparatului de aer condiționat. Mai întâi curățați suprafața cu un detergent neutru și o cârpă umedă, apoi ștergeți-o cu o cârpă uscată.

#### E. Înainte de utilizare

Verificați dacă furtunul de evacuare a fost montat în mod corect. Precauții pentru operațiile de răcire și dezumidificare: -Când

utilizați funcțiile de răcire și dezumidificare, așteptați cel puțin 3 minute între momentele în care apăsați butonul POWER.

-Alimentarea cu energie electrică îndeplinește cerințele.

-Priza poate fi utilizată cu curent alternativ.

-Nu utilizați priza în paralel și pentru alte aparate.

-Alimentarea cu curent electric este AC220-240V, 50Hz

Când este deconectată: nicio tastă și niciun indicator luminos nu este vizibil. Când este conectată: indicatorul luminos al tastei de pornire și al tastei de temporizare este pe jumătate aprins pentru funcționare.

### 1. TASTĂ DE PORNIRE

Apăsăți pentru a pune unitatea pe „ON” sau „OFF”

### 2. FUNCȚIE

Apăsăți tasta pentru a selecta răcirea, dezumidificarea sau ventilatorul.

### 3. TASTĂ DE REGLARE A TEMPERATURII (SUS)

În timpul funcției de răcire: această tastă crește temperatura presetată cu 1 °C de fiecare dată când este apăsată, iar limita maximă este de 30 °C. În timpul funcției de încălzire (numai modelul Duo), acest buton mărește timpul de temporizare cu o oră de fiecare dată când este apăsat, împreună cu o creștere a ciclului. În timpul funcției de temporizare: crește perioada de temporizare. Această tastă crește perioada cu 1 oră de fiecare dată când este apăsată și crește ciclul.

### 4. TASTĂ DE REGLARE A TEMPERATURII (JOS)

În timpul funcției de răcire: această tastă reduce temperatura presetată cu 1 °C de fiecare dată când este apăsată, iar limita minimă este de 17 °C. În timpul funcției de încălzire (numai modelul Duo), acest buton crește temperatura presetată cu 1 °C de fiecare dată când este apăsat, cu limita maximă stabilită la 30°C. În timpul funcției de temporizare: reduce perioada de temporizare. Această tastă reduce perioada cu 1 oră de fiecare dată când este apăsată și reduce ciclul.

### 5. AFIȘAJ CU LEDURI

Afișajul indică setarea de temperatură

## MODURILE DE FUNCȚIONARE ȘI DESCRIERILE OPERAȚIILOR DE INSTALARE

curentă sau setarea pentru temporizator. Când se reglează temperatura setată sau temporizatorul, este afișată noua setare și apoi afișajul revine la temperatura setată curentă.

※ Afișajul este utilizat și pentru a prezenta codurile de eroare dacă apare o eroare; consultați CODURILE DE EROARE.

### 6. VITEZĂ

Răcire: apăsați pentru a selecta viteza ventilatorului LOW, MEDIUM, HIGH sau AUTO. Dacă se selectează „AUTO” (automat), atunci „HIGH” (ridicată), „MEDIUM” (medie) sau „LOW” (scăzută) sunt selectate automat, în funcție de diferența dintre temperatura setată și temperatura ambientală. Temperatura ambientală - Setarea temperaturii > 4°C: aparatul are ventilatorul la viteză mare.

Temperatura ambientală ≤ 2°C - Setarea temperaturii ≤ 4°C: aparatul are ventilatorul la viteză medie.

Temperatura ambientală ≤ 0°C - Setarea temperaturii ≤ 2°C: aparatul are ventilatorul la viteză mică.

Ventilator: apăsați pentru a selecta viteza ventilatorului LOW, MEDIUM, HIGH sau AUTO.

\* Vă rugăm să rețineți că viteza automată a vântului poate fi setată numai în modurile de încălzire (numai modelul Duo) și de răcire

Notă: în funcția de dezumidificare, această tastă nu este validă, deoarece unitatea este definită ca fiind în viteză redusă în modul dezumidificare.

### 7. TEMPORIZATOR PROGRAMABIL

Tasta de pornit/oprit pentru temporizatorul programabil TIMER-ON: funcția „timer-on” (temporizator pornit) se folosește pentru a porni automat unitatea după ce se scurge timpul setat.

- 1) Apăsați tasta „TIMER” (temporizator) în starea standby pentru a seta intervalul dorit.
- 2) După ce se scurge ora setată, unitatea pornește automat.
- 3) Dacă apăsați tasta „POWER” (alimentare) înainte de scurgerea timpului, intervalul setat este anulat și pornește unitatea.
- 4) Puteți seta funcția și viteza ventilatorului în timp ce setați temporizatorul. TIMER-OFF: funcția „timer-off” (temporizator oprit) se folosește pentru a porni automat

unitatea după ce se scurge timpul setat.

- 1) Apăsați tasta „TIMER” (temporizator) în starea funcțională pentru a seta intervalul dorit.
- 2) După ce se scurge ora setată, unitatea se oprește automat.
- 3) Dacă apăsați tasta „POWER” (alimentare) înainte de scurgerea timpului, intervalul setat este anulat și se oprește unitatea.

### 8. FUNCȚIE DE CONTROL PENTRU SOMN

- 1) Când sunteți în modul răcire, apăsați tasta SLEEP (somn) pentru a seta temperatura. Crește cu 1 °C după o oră și cel mult crește 2 °C după 2 ore.
- 2) Apăsați din nou tasta SLEEP (somn) pentru a anula setarea.

### 9. BASCULARE

Apăsați această tastă pentru a bascula lamele pe ieșirea de aer și se oprește când se apasă din nou această tastă.

### ALARMĂ

Când rezervorul de apă este plin, pe panoul de afișare apare „E4”. Pentru a relua funcționarea, scoateți capacul de cauciuc al furtunului de evacuare pentru a scurge mai întâi apa. Avertismentul E4 dispare după ce efectuați scurgerea și apoi puteți reporni unitatea apăsând butonul POWER (alimentare).

### Întreținere

Curățați unitatea cu o cârpă moale umedă. Nu utilizați solvenți sau detergenți puternici, deoarece acest lucru ar putea deteriora suprafața unității.

### Service

Dacă aparatul de aer condiționat necesită service/mentenanță, trebuie mai întâi să contactați distribuitorul dumneavoastră local. Pentru toate solicitările legate de garanție este necesară dovada achiziției aparatului.

### Instrucțiuni de depozitare

#### Depozitare la sfârșitul sezonului

- 1) Înșurubați capacul de scurgere și scoateți dopul pentru a scurge complet apa de condens.

Mentțineți unitatea în funcțiune pe modul ventilator timp de o jumătate de zi, pentru a se usca complet în interiorul unității, în așa fel încât să evitați formarea mușcăiului.

- 2) Opriți unitatea, scoateți-o din priză, apoi înfășurați cablul de alimentare în jurul pilonului de înfășurare, introduceți ștecherul în orificiul universal de fixare de pe panoul din spate al unității, instalați dopul de apă și capacul de scurgere.
- 3) Scoateți setul furtunului de evacuare a căldurii, curățați-l și păstrați-l corespunzător.
- 4) Împachetați corect aparatul de aer condiționat într-o pungă moale din plastic și puneți-l într-un loc uscat, luând măsuri adecvate de protecție împotriva prafului și păstrați unitatea departe de copii.
- 5) Scoateți bateriile din telecomandă și păstrați-le în mod corespunzător.

Notă:

Asigurați-vă că unitatea este depozitată într-un loc uscat. Toate accesoriile aparatului trebuie protejate împreună în mod corespunzător. Suportul cablului de alimentare și priza universală pot proteja bine cablul de alimentare.

Inteligent, ecologic și cu economie de energie, având un sistem de răcire cu auto-evaporare.

Funcția Timer de 24 de ore, muzică de alarmă pentru activare/oprire unică. Repornirea protecției la compresor activată cu o întârziere de 3,5 minute și alte funcții de protecție multiple.

PROBLEMĂ	CAUZĂ	SOLUȚIE
Aparatul nu pornește	Lipsa alimentării cu curent Rezervor de apă plin, pictograma corespunzătoare aprinsă Temperatura ambientală prea mare sau prea mică Temperatura în încăpere este mai mică decât cea setată în modul de răcire sau mai mare decât cea setată în modul de încălzire	Conectați aparatul la o priză alimentată corect și porniți-l Scurgeți apa acumulată în aparat. Se recomandă ca aparatul să fie folosit la temperaturi cuprinse între 8 și 35 de grade Schimbați setarea de temperatură
Efect de răcire necorespunzător	Aparatul este în bătaia directă a razelor soarelui Ușile și ferestrele sunt deschise, încăperea este aglomerată sau există alte surse de căldură Filtru murdar Admisie sau evacuare de aer blocate	Trageți perdelele Închideți ușile și ferestrele, îndepărtați sursele de căldură Curățați sau înlocuiți sита filtrului Eliminați blocajul
Nivel ridicat de zgomot	Aparatul este așezat pe o suprafață neuniformă.	Așezați aparatul pe o suprafață netedă și solidă (poate reduce zgomotul)
Compresorul nu funcționează	Declanșarea protecției împotriva supraîncălzirii	Așteptați scăderea temperaturii, aparatul va reporni automat
Telecomanda nu funcționează	Distanța este prea mare Telecomanda nu este îndreptată direct spre receptorul de semnal al aparatului. Bateriile sunt epuizate	Aduceți telecomanda mai aproape de aparatul de aer condiționat și îndreptați-o direct spre receptorul de semnal. Schimbați bateriile
<p>Dacă aveți probleme cu deumidificatorul, consultați indicațiile de depanare de mai jos. Dacă niciuna dintre măsurile descrise mai jos nu dă rezultate, contactați distribuitorul pentru a solicita o intervenție de service asupra aparatului de aer condiționat.</p>		

Coduri de eroare	CAUZĂ	SOLUȚIE
Codul E1	Scurtcircuit la senzorul de temperatură și PCB	Contactați un electrician pentru reparații
Codul E2	Scurtcircuit la tubul de cupru al senzorului de temperatură și la cablul PCB	Contactați un electrician pentru reparații
Codul E4	Indică faptul că rezervorul de apă este plin sau că există un contact necorespunzător cu fișa de alimentare	Utilizatorul trebuie să scoată opritorul de cauciuc amplasat în partea de jos a unității, pentru a scurge apa. Sau să verifice dacă fișa de alimentare este introdusă corect

## Garanții

Consumatorul beneficiază de garanție de 2 pentru defectele de producție. Rețineți: garanția este valabilă numai cu prezentarea chitanței. Garanția este valabilă numai dacă produsul este utilizat în conformitate cu instrucțiunile și avertizările de siguranță menționate în acest manual. Garanția nu acoperă deteriorările provocate de manipularea incorectă a produsului.

**OBSERVAȚIE:** Garanția de 2 ani este valabilă numai în cazul consumatorilor, nu și în cazul utilizării comerciale a aparatului.



### OBSERVAȚIE!

Înregistrați-vă la adresa [www.warranty-woods.com](http://www.warranty-woods.com) și aflați cum puteți beneficia de garanție extinsă. Pentru informații suplimentare vizitați [www.woods.se](http://www.woods.se).

### Limite recomandate pentru utilizare

Cea mai bună temperatură ambiantă funcțională pentru răcire este 17 - 35 °C.  
Parametrul pentru siguranță: 5 ET sau SMT, 3,15 A, 250 V c.a.

DATE TEHNICE	Palermo 18K	Palermo 18K Duo A+	Palermo 22K
Capacitate de răcire	5,3 KW	5,3 KW	6,5 KW
Capacitate de încălzire		5,0 KW	
Consum de putere răcire/încălzire	2,030 KW	1,7 KW/1,65KW	2,500 KW
Debit de aer:	950 m <sup>3</sup> /h	950 m <sup>3</sup> /h	950 m <sup>3</sup> /h
Clasa energetică	A	A+	A
Dezumidificare	90 L/24 h	90 L/24 h	120 L/24 h
Setare de temperatură	17-30 °C	17-30 °C	17-30 °C
Temperatură de funcționare răcire/încălzire	16-35 °C	16-35 °C / heating 7-23°C	16-35 °C
EER răcire/încălzire	2,6	3,1/ 3,0	2,6
Gaz frigorific	R290/264g	R290/250g	R290/369g
Nivel de zgomot în decibeli	65dB	65dB	65dB
Greutate	51 kg/60 kg	51,5 kg/60,5 kg	52 kg/61 kg
Dimensiuni în mm, L x l x Î	540 x 695 x 1140	540 x 695 x 1140	540 x 695 x 1140

\*Pot apărea modificări și îmbunătățiri tehnice. Toate valorile sunt aproximative și pot varia în funcție de circumstanțe exterioare, cum ar fi temperatura, ventilația și umiditatea.



Notă: Protecția mediului și eliminarea

- Consumatorii sunt obligați prin lege să elimine în mod corespunzător dispozitivele electronice, lămpile și bateriile la sfârșitul duratei lor de viață.
- Acestea pot fi returnate gratuit la punctele de colectare publice desemnate sau prin intermediul comercianților cu amănuntul.
- Ștergerea datelor cu caracter personal este responsabilitatea consumatorului.
- Becurile și bateriile care pot fi îndepărtate în siguranță și nu sunt instalate permanent trebuie separate pentru a fi eliminate separat.
- Detaliile privind eliminarea în conformitate cu legislația sunt reglementate de legislația regională.
- Simbolul unui coș de gunoi barat indică faptul că dispozitivele electronice și bateriile nu trebuie niciodată eliminate împreună cu deșeurile menajere după expirarea duratei lor de viață.
- Simbolurile plasate sub coșul de gunoi indică prezența posibilă a anumitor substanțe (plumb = Pb, mercur = Hg, cadmiu = Cd).
- Această separare este necesară deoarece bateriile și dispozitivele electronice conțin atât resurse valoroase, cât și substanțe nocive pentru oameni și mediu.
- Prin reciclarea, colectarea și reutilizarea bateriilor și a dispozitivelor electronice adecvate, contribuiți la conservarea și protejarea mediului și a sănătății umane.

## WOOD'S PUHDISTAA SISÄILMAN

Wood's tuotemerkin perusti Woodsin perhe yli 65 vuotta sitten Kanadassa, Guelphin kaupungissa Ontariossa. Wood's alkoi kehittää ja valmistaa kosteudenpoistajia vuonna 1950. Wood's on vuosikymmenten ajan auttanut useita satoja tuhansia kotitalouksia estämään kosteus- ja homevaurioita ja puhdistamaan sisäilmaa. Siirrettävät ilmastointilaitteemme soveltuvat käytettäväksi useimmissa ilmastoissa, ja toimintakyky on hyvä eri lämpötiloissa ja kosteustasoilla. Laitteita käytetään hyvin tuloksin tiloissa, joita halutaan viilentää, kuten olohuoneissa, toimistoissa ja makuuhuoneissa. Ilmastointilaitteen poistaman kuumen ilman määrä riippuu lämpötilasta, kosteustasosta ja laitteen sijainnista. Myös ulkoiset sääolosuhteet saattavat vaikuttaa ilmastointilaitteen toimintaan.

Wood'sin ilmastointilaitteita voidaan käyttää turvallisesti ja jatkuvasti useiden vuosien ajan.

## MITEN ILMASTOINTILAITE TOIMII?

Matala paine tuottaa viileää ilmaa. Ilmastointilaitteen tärkeä osa on jäähdytysneste, joka muuntuu matalassa paineessa kaasuksi. Prosessi "tuottaa kylmää", joka välitetään sisäänpäin, ja samalla lämmin ilma pidetään ulkona. Nestemäinen kylmäaine kulkee paisuntaventtiilin läpi ja putkeen, jossa on matala paine.

Kylmäaine haihtuu ja muuttuu kaasuksi. Prosessi imee lämpöä ympäristöstä ja jäähdyttää putkiston.

Puhallin puhalttaa viileää ilmaa huoneeseen.

Kaasu kulkee kompressorin läpi, mikä nostaa painetta ja muuntaa kaasun nesteiksi.

Prosessissa vapautuu lämpöä, joka johdetaan putkiin vastakkaisella puolella ja puhalletaan ulos.

Termostaatti sammuttaa laitteen, kun sisäilma on riittävän viileää.

## 1. TURVALLISUUS- VAROITUKSET



Tulenarkaa materiaalia. Laite sisältää R290-propania, joka on helposti syttyvä kylmäaine.



Katso turvallisuustiedot tästä käsikirjasta.



Lue tekninen käsikirja



Lue käyttäjän käsikirja.

## TURVALLISUUSTIEDOT

Lue mukana toimitetut ohjeet huolellisesti ennen laitteen asentamista ja käyttöä. Valmistaja ei ole vastuussa, jos virheellinen asennus ja käyttö aiheuttavat vammoja ja vahinkoja. Säilytä ohjeet aina laitteen kanssa myöhempää käyttöä varten.

## Lasten ja toimintakyvyltään heikkojen ihmisten turvallisuus

### VAROITUS



Vamman tai pysyvän vamman riski. Vähintään 8-vuotiaat lapset sekä henkilöt, joilla on heikentynyt fyysinen, psyykinen tai henkinen toimintakyky tai vähän kokemusta tai osaamista, voivat käyttää laitetta, jos heille on annettu ohjeet laitteen turvallisesta käytöstä ja he ymmärtävät käytön riskit. Älä anna lasten leikkiä laitteella.

Alle 3-vuotiaat lapset on pidettävä loitolla laitteesta, ellei heitä valvota jatkuvasti.

Säilytä kaikki pakkausmateriaalit poissa lasten ulottuvilta. Lapset eivät saa puhdistaa laitetta tai tehdä ylläpitotoimia ilman valvontaa.

## Yleinen turvallisuus

Tämä laite on tarkoitettu kotitalouksiin ja muihin vastaaviin tiloihin, kuten: Olohuoneet, oleskelutilat, henkilökunnan keittiötilat myymälöissä, toimistoissa ja muissa työtiloissa. Arvokilpi sijaitsee ilmastointilaitteen takana tai sivulla.

Älä peitä tuuletusaukkoja.

Älä nopeuta sulatusprosessia käyttämällä mekaanisia laitteita tai muita keinoja, paitsi valmistajan suosittelemaa.

Laitetta ei saa säilyttää huoneessa, jossa on toimivia sytytysläheteitä, esim. avotuli tai käynnissä oleva kaasulaite tai sähkölämmitin. Ei saa puhkaista tai polttaa.

Huomaa, että kylmäaineissa ei välttämättä ole tuoksua. Älä puhdistaa laitetta vesisuihkulla tai -höyryllä. Puhdista laite kostealla pehmeällä liinalla. Käytä vain neutraaleja pesuaineita. Älä käytä hankaavia tuotteita, hankaavia puhdistus tyyynyjä, liuottimia tai metalliesineitä.

Jos virtajohto vahingoittuu, valmistajan, sen valtuuttaman huollon tai vastaavan pätevän henkilön on vaihdettava johto vaaran välttämiseksi.

## TURVALLISUUSOHJEET

### Asennus VAARA



Laitteen saa asentaa vain pätevä henkilö.

Poista kaikki pakkausmateriaalit. Älä asenna tai käytä vahingoittunutta laitetta. Laitteen asennus-, käyttö- ja varastointitilan pinta-alan on oltava suurempi kuin 13 m<sup>2</sup>(AC Palermo 18K) /25 m<sup>2</sup>(AC Palermo 22K). Noudata laitteen mukana toimitettuja asennusohjeita.

Ole varovainen, kun siirrät laitetta, koska se on raskas. Käytä aina suojakäsineitä. Huomaa, että kylmäaineissa ei välttämättä ole tuoksua.

Varmista, että ilma voi vaihtua laitteen ympärillä.

Odota vähintään 4 tuntia, ennen kuin kytket laitteen virtalähteeseen. Odotusaikana öljy virtaa takaisin kompressoriin.

Älä asenna laitetta lämpöpattereiden tai muiden lämmönlähteiden lähelle. Älä asenna laitetta suoraan auringonvaloon.

### Sähköliitäntä

#### VAARA



Tulipalon ja sähköiskun vaara. Laitte on kytkettävä maadoitettuun pistorasiaan.

Varmista, että virtalähde vastaa arvokilven sähkötietoja. Jos ei, ota yhteyttä sähköasentajaan.

Käytä aina oikein asennettua iskunkestävää pistorasiaa.

Älä käytä monen pistorasian jakajia tai jatkojohtoja.

Varmista, ettei mikään aiheuta vaurioita sähkökomponenteille (esim. verkkovirtapistoke, verkkovirtajohto).

Ota yhteyttä valtuutettuun huoltoon tai sähköasentajaan, jos sähkökomponentteihin on tarpeen tehdä muutoksia.

Virtajohdon tulee olla alempana kuin pistoke.

Kytke verkkovirtapistoke pistorasiaan vasta asennuksen jälkeen.

Varmista, että pistokkeelle on vapaa pääsy asennuksen jälkeen.

Älä irrota virtajohtoa johdosta vetämällä. Vedä aina pistokkeesta.

Laitteen kompressorin toiminta edellyttää vähintään 25 A:n sähkövirtaa. Jotta kotitalouden sähköt eivät katkea, älä käytä tähän laitteeseen jatkojohtoa.

### Käyttö

#### VAARA



Vamman, palovamman, sähköiskun ja tulipalon vaara.

Älä muuta laitteen teknisiä määrityksiä.

Varo vahingoittamasta kylmäainepiiriä. Se sisältää propaania (R290), luonnollista kylmäainetta, jonka ympäristövaikutukset ovat vähäiset. Kaasu on helposti syttyvää.

Jos kylmäainepiiri vahingoittuu, varmista, että tilassa ei ole avotulta tai sytytyslähteitä. Tuuleta tila.

Älä laita tulenarkoja tuotteita tai helposti syttyvällä tuotteella kostutettuja esineitä laitteen lähelle tai päälle.

Käytä laitetta korkeintaan 35 asteen lämmössä.

Puhdista ilmansuodatin säännöllisesti, niin jäähdytysteho säilyy hyvänä.

Kun sammutat laitteen, odota vähintään 3,5 minuuttia, ennen kuin käynnistät sen uudelleen, jotta kompressori ei vaurioidu.

Kun käynnistät laitteen, puhallin toimii, mutta kompressori käynnistyy sen jälkeen, kun jäähdytyksen hälytyksen merkkivalo on vilkkunut kolme minuuttia

Ilmastointilaitte voidaan liittää vain syöttövirtaan, jonka järjestelmäimpedanssi on enintään 0,219 Ω. Ota tarvittaessa yhteyttä sähköntoimittajaasi ja kysy järjestelmän impedanssitetöjen.

### Hävittäminen

#### VAARA



Vamman vaara.

Irrota laite verkkovirrasta. Katkaise virtajohto ja hävitä se.

Laitteen kylmäainepiiri ei vahingoita otsonikerrosta.

Kysy kunnan viranomaisilta ohjeet laitteen asianmukaisesta hävittämisestä.

Älä vahingoita lämmönvaihtimen lähellä olevaa jäähdytysyksikön osaa.

## ILMASTOINTILAITTEEN VALMISTELU ASENNUSTA VARTEN

### Laitteen kuljetus, merkinnät ja varastointi

1. Syttyvää kylmäainetta sisältävien laitteiden kuljetus

Kuljetusmääräysten mukaisesti

2. Laitteiden merkinnät

Paikallisten säädösten mukaisesti

3. Syttyvää kylmäainetta sisältävien laitteiden hävittäminen

Kansallisten säädösten mukaisesti

4. Laitteiden varastointi

Laitteen varastoinnissa tulee noudattaa valmistajan ohjeita.

5. Pakattujen (myytävien) laitteiden varastointi

Säilytyspakkauksen on suojattava niin, että pakatun laitteen mekaaninen vaurio ei aiheuta kylmäainevuotoa. Samaan tilaan varastoitavien laitteiden enimmäismäärä määräytyy paikallisten säädösten mukaan.

6. Laitetta on säilytettävä niin, että estetään mekaanisten vaurioiden syntyminen.

7. Yleinen toiminta-alue

Kaikille huoltohenkilöön kuuluville ja muille alueella työskenteleville on annettava ohjeet suoritettavan työn luonteesta. Käyttöä ahtaissa tiloissa on vältettävä. Käyttöalueen on oltava rajattu. Varmista turvalliset olosuhteet huolehtimalla syttyvien materiaalien turvallisuudesta.

### 2. Asennus

#### Tärkeää

1. Ilmastointilaitetta on kätevä siirtää sisätiloissa pystyasennossa. Ilmastointilaitte on sijoitettava tasaiselle alustalle.

Älä asenna ilmastointilaitetta kylpyhuoneeseen tai muihin märkätiloihin. Ilmastointilaitetta on helppo siirtää pyörien ansiosta. Kun on liian kuumaa, voit helposti viedä siirrettävän ilmastointilaitteen tilaa ja saada sen nopeasti viileämmäksi. Ilmastointilaitte toimii parhaiten suljetussa tilassa.

Sulje kaikki ovet, ikkunat ja muut ulkotilaan vievät aukot. Ilmastointilaitteen tehokkuus riippuu lämpötilasta ja kosteustasosta.

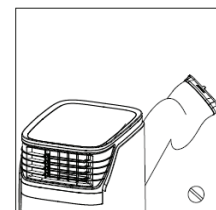
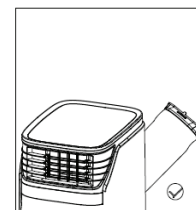
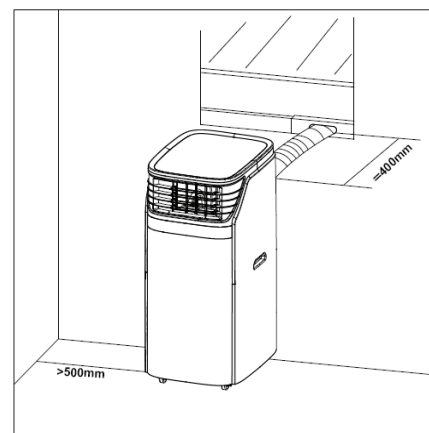
2. Sijoita ilmastointilaitte paikkaan, jossa ilma voi virrata vapaasti laitteen etupuolella.

3. Kun ilmastointilaitetta käytetään huoneessa, se ei juurikaan vaikuta tilassa oleviin suljettuihin säilytystiloihin, esim. komeroihin, ellei kyseisessä tilassa ole riittävästi ilmanvaihtoa sisään ja ulos. Siirrettävä ilmastointilaitte poistaa kuumaa ilman ikkunasta vietävällä letkulla tai poistoilmaventtiilin kautta.

4. Jatka poistoletkua enintään 400 mm:n pituuteen. Poistoletku on pidettävä suorana, eikä sitä saa taivuttaa ylös- tai alaspäin.

5. Ilmastointilaitte on sijoitettava vähintään 50 cm:n päähän lähimmästä kohteesta. Katso kuva.

6. Kun laite alkaa sulattaa, laitteessa näkyy kirjaimet DF.



## TUOTTEEN KUVAUS

### 3. Tuotteen kuvaus

#### A

- Poistoletku
- Ikkunaliitintä valinnainen (ei sisälly)
- Ikkunasarja
- Ikkunan insertti
- Paristot
- Kaukosäädin
- Kylmän ilman poistoaukon liitin (lisävaruste)

#### B

- Tuotekuvat

#### C

- Kylmän ilman poistoaukko
- Ohjauspaneeli
- Pyöreä sovitin (pää)
- Poistoletku
- Oikean puolen kahva
- Kuuman ilman poistoaukko
- Yläpuolen tyhjennysaukko
- Viileän ilman tulosäleikkö
- Vasemman puolen kahva
- Kuuman ilman tulosäleikkö
- Alapuolen tyhjennysaukko

#### D

- Tuotekuvat takaa

#### E

- Tuotokuva ylhäältä

#### F

- VIRTAPAINIKE
- TOIMINTO
- LÄMPÖTILAN SÄÄTÖPAINIKE (YLÖS)
- LÄMPÖTILAN SÄÄTÖPAINIKE (ALAS)
- LED- NÄYTTÖ
- NOPEUS
- OHJELMOITAVA AJASTIN
- LEPOTILAN OHJAUS
- KÄÄNTÖTOIMINTO

#### G

- Kuva suodattimen poistamisesta

#### H

- Kaavakuva suodatinritilän puhdistamisesta

#### I

- POWER—Virtakytkin
- FUNC—Toimintatilan valitsin
- TIMER—Tuntiajastus
- AUTO—Automaattinen puhaltimen nopeus
- HI—Puhaltimen suuri nopeus
- MID—Puhaltimen keskinopeus
- LOW—Puhaltimen pieni nopeus
- SLEEP—Lepotilan valitsin
- TEMP.—Lämpötilan valitsin
- SWING—Kääntötoiminto

#### J

- Kaukosäätimen paristojen vaihto. Käytä vain 2xAAA 1,5V-paristoja.

#### K

- Kierrä poistoputken molemmat päät putki-liittimeen.

#### L

- Poistoputken asentaminen

#### M

- Ikkunan liukusarjan asentaminen

#### N

- Ikkunasetin insertti

#### O

- Kuva vedenpoistoaukosta

## TOIMINTATILOJEN JA ASENNUKSEN KUVAUS

### A. Lisävarusteet

Tarkista purkamisen jälkeen, että edellä lisävarusteet ovat mukana. Katso niiden käyttötarkoitukset oppaan asennusohjeista. Kylmän ilman poistoaukon liitin on lisävaruste.

### B. Siirrettävä ilmastointilaitte

J. Kaukosäätimen painikkeet ja toiminnot  
Huomautus:- Älä pudota kaukosäädintä.- Älä altista kaukosäädintä suoralle auringonvalolle.

### M. Laitteen käyttö

Ennen käytön aloittamista:

- 1) Sijoita laite paikkaan, jossa on lähellä pistorasia.
- 2) Asenna poistoputki ja varmista, että laite on sopivassa asennossa ikkunaan nähden.
- 3) Kiinnitä vedenpoistoletku kunnolla (vain lämmittävässä mallissa).
- 4) Kytke virtajohto maadoitettuun AC220-240V/50Hz-pistorasiaan. 5) Kytke virtapainikkeesta virta ilmastointilaitteeseen.

### K&L. Poistoputken asentaminen

#### A) Väliaikainen asennus

1. Kierrä poistoputki letkuliittimeen ja ilmastointilaitteen takana olevaan aukkoon.
2. Laita poistoputken toinen pää lähellä olevalle ikkunalaudalle.

### N. Ikkunan liukusarjan asentaminen

Ikkunan liukusarja asennetaan vaakatai pystysuoraan. Katso kuvista 5 ja 5a ikkunan vähimmäis- ja enimmäiskoko ennen asennusta.

1. Asenna ikkunasarja ikkunaan;
2. Säädä ikkunan liukusarja ikkunan leveyden tai korkeuden mukaan, ja kiinnitä se tulpalla.
3. Työnnä ikkunaliitännätletku ikkunasarjassa olevaan reikään.

### O. Vesisäiliö täynnä -hälytys

Ilmastointilaitteen sisällä olevassa vesisäiliössä on turvakytin, joka valvoo veden pinnan tasoa. Kun veden taso

saavuttaa tietyn korkeuden, täyden vesisäiliön merkkivalo syttyy. (Kun vesisäiliö on täynnä, irrota kumitulppa laitteen pohjasta, jolloin vesi valuu ulos.)

### H. Kunnossapito-ohjeet:

- 1) Muista irrottaa johto pistorasiasta ennen puhdistusta.
- 2) Älä käytä bensiiniä tai muita kemikaaleja laitteen puhdistamiseen.
- 3) Älä pese laitetta vesihanalla.
- 4) Jos ilmastointilaitte on rikki, ota yhteyttä jälleenmyyjään tai huoltoliikkeeseen.

***Suodattimen säännöllinen vaihtaminen on erittäin tärkeää. Muutoin ilmastointilaitteen teho laskee ja laite voi vahingoittua vakavasti.***

### 1. Ilmansuodatin

-Jos ilmansuodatin tukkeutuu pölystä/liasta, suodatin on puhdistettava kahden viikon välein.

-Irrutus

Avaa ilmanottoritilä ja irrota ilmansuodatin.

-Puhdistus

Puhdista ilmansuodatin neutraalilla pesuaineella ja haalealla(40 °C) vedellä, ja anna sen kuivua varjossa.

-Asennus

Laita ilmansuodatin takaisin ilmanottoritilän taakse samaan paikkaan.

### 2. Ilmastointilaitteen pinnan puhdistaminen

Pyyhi pinta ensin neutraalilla pesuaineella ja kostealla liinalla ja sen jälkeen kuivalla liinalla.

### E. Ennen käyttöä

Tarkista, että poistoputki on asennettu oikein.

Ota huomioon viilennyksessä ja

kosteudenpoistossa:

Kun käytät viilennyksen tai kosteudenpoiston toimintoja, pidä vähintään 3 minuutin tauko käynnistysten välillä.

-Virtalähteen on oltava vaatimusten

mukainen.

-Pistoke on tarkoitettu kytkettäväksi verkkovirtaan.

-Älä käytä samassa pistorasiassa muita laitteita.

-Virtalähde on AC220-240 V, 50 Hz

Pistorasiasta irrotettuna: Kaikki painikkeet ja merkkivalot eivät ole näkyvissä.

Pistorasiaan kytkettynä: Virtapainikkeen ja ajastuspainikkeen merkkivalot ovat puoliksi päällä.

### 1. VIRTAPAINIKE

Painaminen kytkee laitteen päälle (ON) tai pois päältä (OFF).

### 2. TOIMINTO

Toimintopainikkeesta valitaan jäähdytys, kosteudenpoisto tai puhallin.

### 3. LÄMPÖTILAN SÄÄTÖPAINIKE (YLÖS)

Jäähdytyksen aikana: Tästä painikkeesta voi nostaa esiasetettua lämpötilaa 1 °C:n välein. Yläraja on 30 °C.

Lämmitystoiminnon aikana (vain Duomalli) tämä painike lisää ajastusaikaa yhdellä tunnilla joka kerta, kun sitä painetaan, ja samalla sykli kasvaa.

Ajastustoiminnon aikana: Ajastusajan pidentäminen. Tästä painikkeesta voi pidentää aikaa yhden tunnin kerrallaan.

### 4. LÄMPÖTILAN SÄÄTÖPAINIKE (ALAS)

Jäähdytyksen aikana: Tästä painikkeesta voi laskea esiasetettua lämpötilaa 1 °C:n välein. Alaraja on 17 °C.

Lämmitystoiminnon aikana (vain Duomalli) tämä painike nostaa esiasetettua lämpötilaa 1 °C:lla joka kerta, kun sitä painetaan, ja enimmäisraja on asetettu 30 °C:een.

Ajastustoiminnon aikana: Ajastusajan lyhentäminen. Tästä painikkeesta voi lyhentää aikaa yhden tunnin kerrallaan.

### 5. LED- NÄYTTÖ

Näytössä näkyy nykyinen asetuslämpötila tai ajastinasetus. Kun asetettua lämpötilaa tai ajastinta säädetään, uusi asetus tulee näkyviin, minkä jälkeen ja näyttö palaa

## TOIMINTATILOJEN JA ASENNUKSEN KUVAUS

nykyisen asetuslämpötilan.

※ Näyttöä käytetään myös virhekoodien näyttämiseen vian ilmetessä, katso Virhekoodit.

### 6. SPEED

Viilennys: Valitse painamalla puhaltimen nopeudeksi LOW, MEDIUM, HIGH tai AUTO.

Jos valitaan AUTO, laite valitsee automaattisesti HIGH, MEDIUM tai LOW asetuslämpötilan ja ympäristön lämpötilan välisen eron mukaan. Ympäristön lämpötila - asetuslämpötila  $>4^{\circ}\text{C}$  : Kone on suurella puhallinnopeudella.  
 $2^{\circ}\text{C} \leq$  Ympäristön lämpötila - asetuslämpötila  $\leq 2^{\circ}\text{C}$  : Kone on normaalilla puhallinnopeudella.  
 $0^{\circ}\text{C} \leq$  Ympäristön lämpötila - asetuslämpötila  $\leq 2^{\circ}\text{C}$  : Kone on hitaalla puhallinnopeudella.

Puhallin: Valitse painamalla puhaltimen nopeudeksi LOW, MEDIUM, HIGH tai AUTO.

\* Huomaa, että automaattinen tuuletusnopeus voidaan asettaa vain lämmitys- (vain Duo-malli) ja jäähdytystiloissa.

Huom.: kosteudenpoistotoiminnossa tämä painike ei ole käytettävissä, koska laite on määritetty käyttämään LOW-nopeutta kosteudenpoistotilassa.

### 7. OHJELMOITAVA AJASTIN

Ohjelmoitava ajastettu käynnistys/sammutus

AJASTETTU KÄYNNISTYS: Kun ajastettu käynnistys on päällä, laite kytkeytyy automaattisesti päälle, kun asetettu aika on kulunut.

- 1) Aseta haluamasi aika painamalla TIMER-painiketta valmiustilassa.
- 2) Kun asetettu aika on kulunut, laite käynnistyy automaattisesti.
- 3) Jos painat ennen ajan loppuun kulumista virtapainiketta, ajastettu aika nollautuu ja laite käynnistyy.
- 4) Voit asettaa toiminnon ja puhaltimen nopeuden ajastimen asettamisen aikana.

AJASTETTU SAMMUTUS: Kun ajastettu sammutus on käytössä, laite kytkeytyy automaattisesti pois päältä, kun asetettu aika on kulunut.

- 1) Aseta haluamasi aika painamalla TIMER-painiketta käyttötilassa.
- 2) Kun asetettu aika on kulunut, laite sammuu automaattisesti.
- 3) Jos painat ennen ajan loppuun kulumista virtapainiketta, ajastettu aika nollautuu ja laite sammuu.

### 8. LEPOTILAN OHJAUS

- 1) Kun laite on jäähdytystilassa, voit asettaa lämpötilan painamalla SLEEP-painiketta. Se nousee  $1^{\circ}\text{C}$  tunnin kuluttua ja enintään  $2^{\circ}\text{C}$  kahden tunnin kuluttua.
- 2) Voit peruuttaa asetuksen painamalla SLEEP-painiketta uudelleen.

### 9. SWING

Painikkeen painaminen käynnistää siivekkeen kääntymisen ilmanpoistoaukossa ja pysäyttää sen, kun painiketta painetaan uudelleen.

### HÄLYTYS

Kun vesisäiliö on täynnä, näytössä näkyy virhekoodi E4. Irrota poistoletkun kumitulppa ja tyhjennä vesi, minkä jälkeen voit jatkaa käyttöä. E4-koodi sammuu tyhjennyksen jälkeen, ja voit käynnistää laitteen uudelleen painamalla virtapainiketta.

### Kunnossapito

Puhdista laite pehmeällä kostealla liinalla. Älä käytä liuottimia tai voimakkaita puhdistusaineita, sillä ne saattavat vaurioittaa laitteen pintaa.  
 Huolto

Jos ilmastointilaite on huollettava, ota ensin yhteyttä paikalliseen jälleenmyyjään.  
 Kaikki takuuvaatimukset edellyttävät

ostotodistusta.

### Säilytysohjeet

Varastointi käyttökauden lopussa

- 1) Kierrä vedenpoistoaukon suojuksen irti, irrota tulppa ja anna kondenssiveden tyhjentyä kokonaan.
- 2) Pidä yksikkö käynnissä puhallustilassa puoli päivää, jolloin laite kuivuu sisältä eikä homehdu säilytyksen aikana.
- 3) Sammuta laite, irrota pistoke ja kääri virtajohto kiinnikkeen ympärille. Työnnä pistoke yleismalliseen pistokkeen suojuksen laitteen takapaneelissa. Asenna tulppa ja vedenpoistoaukon suojuksen.
- 4) Irrota lämmön poistoputkikokoonpano, puhdista se ja säilytä asianmukaisesti.
- 5) Pakkaa ilmastointilaite pehmeään muovipussiin ja säilytä sitä kuivassa paikassa, joka on riittävästi suojattu pölyltä. Säilytä laitetta poissa lasten ulottuvilta.
- 6) Ota paristot pois kaukosäätimestä ja säilytä sitä asianmukaisesti.

Huomaa:

Varmista, että laitteen varastotila on kuiva. Kaikki laitteen lisävarusteet tulee säilyttää samassa paikassa asianmukaisesti suojattuina.

Virtajohtojen pidike ja yleismallinen pistokkeen suojuksen suojaavat virtajohtoa. Älykäs, ympäristöystävällinen ja energiaa säästävä malli ja haihduttava jäähdytysjärjestelmä.

24 tunnin ajastintoiminto, ainutlaatuinen päälle/pois laittamisesta muistuttava äänimerkki.

Kolmen ja puolen minuutin viive uudelleen käynnistettäessä suoja kompressoria, myös muita suojaustoimintoja.

ONGELMA	SYY	RATKAISU
Laite ei käynnisty, kun painetaan virtapainiketta	Täyden vesisäiliön merkkivalo vilkkuu ja vesisäiliö on täynnä.	Tyhjennä vesisäiliö.
	Huonelämpötila on korkeampi kuin asetuslämpötila (sähkölämmitystila).	Muuta lämpötilaa
	Huonelämpötila on matalampi kuin asetuslämpötila. (viilennystila)	Muuta lämpötilaa
Laite ei viilennä tarpeeksi	Ovet tai ikkunat eivät ole suljettuina.	Varmista, että kaikki ikkunat ja ovet ovat kiinni.
	Huoneessa on lämmönlähteitä.	Poista lämmönlähteet, jos mahdollista
	Poistoilmaputki on irti tai tukossa.	Kytke tai puhdista poistoputki.
	Lämpötila-asetus on liian korkea.	Muuta lämpötilaa
	Ilmanottoaukko on tukossa.	Puhdista ilmanottoaukko.
Korkea melutaso	Alusta ei ole suora tai tarpeeksi tasainen	Aseta laite tasaiselle, suoralle alustalle, jos mahdollista
	Ääni johtuu kylmäaineen virtaamisesta ilmastointilaitteen sisällä	Se on normaalia.
Jos laitteen kanssa on ongelmia, katso alla oleva vianetsintätaulukko. Jos mikään alla olevista ratkaisuista ei toimi, ota yhteyttä jälleenmyyjään ilmastointilaitteen huoltoa varten.		

Virhekoodit	SYY	RATKAISU
E1-koodi	Oikosulku lämpötila-anturissa ja piirilevyssä.	Ota yhteyttä sähköasentajaan korjausta varten.
E2-koodi	Oikosulku lämpötila-anturin kupariputkessa ja piirilevyn kytkennöissä	Ota yhteyttä sähköasentajaan korjausta varten.
E4-koodi	Vesisäiliö on täynnä tai virtapistoke on huonosti kiinni.	Vesi tyhjenetään irrottamalla laitteen pohjassa oleva kumitulppa. Tarkista, onko pistoke kunnolla kiinni.

## Takuu

Kuluttajan takuu on kaksi vuotta tuotantovikojen osalta. Huomaathan, että takuu on voimassa kuittia vastaan. Takuu on voimassa vain, jos tuotetta käytetään tässä käyttöohjeessa olevien ohjeiden ja turvallisuusvaroitusten mukaisesti. Takuu ei kata vahinkoja, jotka johtuvat tuotteen virheellisestä käsittelystä.

**HUOMAA:** Kahden vuoden takuu koskee vain kuluttajia, ei laitteen kaupallista käyttöä.



### HUOM!

Rekisteröidy osoitteessa [www.warranty-woods.com](http://www.warranty-woods.com) ja lue, miten saat laajennetun takuun. Katso lisätietoja osoitteesta [www.woods.se](http://www.woods.se).

### Suosittelavat käyttöolosuhteet

Paras käyttöympäristön lämpötila jäähdytystä varten on 17–35 °C, Sulakkeen tiedot: 5ET tai SMT, 3,15 A, 250 Vac.

TEKNISET TIEDOT	Palermo 18K	Palermo 18K Duo A+	Palermo 22K
Jäähdytysteho	5,3 KW	5,3 KW	6,5 KW
Lämmitysteho		5,0 KW	
Virrankulutus jäähdytys/lämmitys	2,030 KW	1,7 KW/1,65KW	2,500 KW
Ilmavirtaus:	950 m <sup>3</sup> /h	950 m <sup>3</sup> /h	950 m <sup>3</sup> /h
Energialuokka	A	A+	A
Kosteudenpoisto	90 l/vrk	90 L/24 h	120 l/vrk
Lämpötilan asetusalue	17–30 °C	17-30 °C	17–30 °C
Käyttölämpötila jäähdytys/lämmitys	16–35 °C	16-35 °C / heating7-23°C	16–35 °C
EER jäähdytys/lämmitys	2,6	3,1/ 3,0	2,6
Kylmäainekaasu	R290/264g	R290/250g	R290/369g
Melutaso desibeleinä	65dB	65dB	65dB
Paino	51 kg/60 kg	51,5 kg/60,5 kg	52 kg/61 kg
Mitat mm, L x S x K	540x695x1140	540 x 695 x 1140	540x695x1140



#### Huomautus: Ympäristönsuojelu ja hävittäminen

- Kuluttaja on lain mukaan velvollinen huolehtimaan elektronisten laitteiden, lampujen ja paristojen asianmukaisesta hävittämisestä, kun ne ovat tulleet käyttöikänsä päähän.
- Ne voidaan toimittaa maksutta julkisiin keräyspaikkoihin tai palauttaa takaisin myymälään.
- Kuluttajan on itse vastattava henkilökohtaisten tietojen poistamisesta.
- Lamput ja paristot, jotka voidaan poistaa ilman vaaraa ja joita ei ole asennettu kiinteästi laitteen sisään, on ensin poistettava ja toimitettava erilliseen jätteenkeräykseen.
- Oman maasi laissa on säädetty lainmukaisen hävittämisen yksityiskohdat.
- Ylivuovattua jätettä esittävä merkki tarkoittaa sähkö- ja elektroniikkalaitteita ja paristoja, joita ei missään tapauksessa saa niiden käyttöiän päätyttyä hävittää tavallisen sekajätteen joukossa.
- Jätteen alla olevat merkit tarkoittavat laitteen mahdollisesti sisältämiä aineita (lyijy = Pb, elohopea = Hg, kadmium = Cd).
- Tämä erottelu on tarpeen, sillä paristot ja sähkö- ja elektroniikkalaitteet sisältävät sekä arvokkaita luonnonvaroja että myös ihmisille ja ympäristölle haitallisia aineita.
- Kun toimitat siihen soveltuvat paristot ja laitteet uudelleen käytettäväksi, keräykseen tai kierrätykseen, edistät sillä ympäristön ja ihmisten terveyden säilymistä ja suojelua.

## „WOOD'S“ - ŠVARIAM IR SVEIKAM ORUI PATALPOSE

„Wood's“ prekės ženklą daugiau nei prieš 65 metus Kanados Guelpo mieste, Ontarijo valstijoje, įkūrė Woods šeima. „Wood's“ pradėjo sausintuvų kūrimą ir gamybą 1950-aisiais. Nuo tada „Wood's“ prietaisai keliems šimtams tūkstančių namų padėjo apsaugoti nuo drėgmės ir pelėsių bei mėgautis švaresniu oru. Mūsų nešiojami oro kondicionieriai tinka naudoti daugelyje klimatų, net svyruojant temperatūroms ir drėgmės lygiui. Jie tinka naudoti ir išylančiose patalpose, tokiose kaip svetainės, biurai ar miegamieji. Karšto oro kiekis, kurį oro kondicionierius ištraukia iš patalpos, priklauso nuo patalpos temperatūros, esamo drėgmės lygio ir pastatymo vietos. Išorinės oro sąlygos taip pat gali paveikti oro kondicionieriaus darbo kokybę.

„Wood's“ oro kondicionieriai veikia saugiai ir skirti naudoti pastoviai daugybe metų.

### KAIP VEIKIA ORO KONDICIONAVIMO PRIETAISAS?

Žemas slėgis sukuria šaltą orą  
Pagrindinis oro kondicionieriaus elementas yra aušinimo skystis, kuris esant žemam slėgiui virsta dujomis. Šis procesas „sukuria šaltį“, kuris nukreipiamas į vidų, o šiltas oras išstumiamas.

Skystas aušinimo skystis perleidžiamas per išsiplėtimo vožtuvą į vamzdį, kuriame yra žemas slėgis.

Čia aušinimo skystis išgaruoja ir tampa dujomis. Proceso metu iš aplinkos sugerama šiluma ir vamzdis atvėsinamas.

Ventiliatorius išstumia šaltą orą į patalpą. Dujos pereina per kompresorių, kuris padidina slėgį ir dujas paverčia skysčiu. Šio proceso metu išsiskiria šiluma, ji nukreipiama į vamzdžius kitoje pusėje ir išpučiama ventiliatoriumi.

Termostatas išjungia prietaisą, kai patalpos oras tampa pakankamai vėsus.

## 1. ĮSPĖJIMAI



Degioji medžiaga. Šiame prietaise yra R290/Propanas yra degus šaltnešis.



Šiame vadove rasite saugos informacija.



Žr. techninį vadovą



Žr. operatoriaus vadovą.

### SAUGOS INFORMACIJA

Prieš įrengdami ir naudodami prietaisą, atidžiai perskaitykite pateiktus nurodymus. Gamintojas neatsako už sužalojimus ir pažeidimus, atsiradusius neteisingai naudojant prietaisą. Instrukciją visada laikykite prie prietaiso, kad prireikus galėtumėte pasiskaityti.

### Vaikų ir pažeidžiamų žmonių sauga

#### ĮSPĖJIMAS



Susižalojimo arba nuolatinio neįgalumo pavojus.

Šį prietaisą gali naudoti vaikai nuo 8 metų ir asmenys, turintys psichinę, jutiminę ar fizinę negalią, arba neturintys pakankamai patirties ar žinių, jei juos prižiūri arba išmoko saugiai naudotis prietaisu kitas asmuo ir jei jie supranta su prietaiso naudojimu susijusius pavojus.

Neleiskite vaikams žaisti su prietaisu.

Jaunesni kaip 3 metų vaikai turėtų būti laikomi atokiau, nebent jie būtų nuolat prižiūrimi.

Visas pakuotes laikykite atokiau nuo vaikų.

Prietaiso valymo ir priežiūros darbų vaikai be priežiūros atlikti negali.

### Bendroji sauga

Šis prietaisas skirtas naudoti buitinėje ir panašioje aplinkoje, tokioje kaip svetainės, gyvenamosios patalpos, darbuotojų virtuvės parduotuvėse, biuruose ir kitokioje darbinėje aplinkoje. Tipo plokštelė yra oro kondicionieriaus šone arba galinėje pusėje. Negalima uždenkti ventiliacijos angų.

Nenaudokite mechaninių įtaisų ar kitų priemonių atitirpinimo procesui pagreitinti, išskyrus gamintojo rekomenduotus. Prietaiso negalima laikyti patalpoje, kurioje yra veikiančių degimo šaltinių (pvz., atvira liepsna, veikiantis dujinis prietaisas arba elektrinis šildytuvas). Prietaiso negalima badyti ar deginti. Turėkite omenyje, kad šaltnešis gali neturėti kvapo. Prietaisui valyti nenaudokite vandens srovės ir garų. Prietaisą valykite minkšta drėgna šluoste. Naudokite tik neutralius ploviklius. Nenaudokite abrazyvinių gaminių, abrazyvinių šluosčių, tirpiklių ar metalinių daiktų.

Jei maitinimo laidas yra pažeistas, jis turi būti pakeistas gamintojo, jo

įgalioto techninės priežiūros centro arba kito kvalifikuoto asmens, išvengiant galimo pavojaus.

## SAUGOS NURODYMAI

### Įrengimas **ĮSPĖJIMAS**

Šį prietaisą gali įrengti tik kvalifikuotas asmuo.

Pašalinkite visą pakuotę.

Nejrenkite ir nenaudokite pažeisto prietaiso. Prietaisą galima įrengti, eksploatuoti ir laikyti patalpoje, kurios grindų plotas didesnis nei 13 m<sup>2</sup> (AC Palermo 18K) / 25 m<sup>2</sup> (AC Palermo 22K). Laikykitės su prietaisu pateiktų įrengimo nurodymų.

Prietaisą perkelkite atsargiai, nes jis yra sunkus. Visada mūvėkite apsaugines pirštines.

Turėkite omenyje, kad šaltnešis gali neturėti kvapo.

Pasirūpinkite, kad aplink prietaisą oras galėtų laisvai cirkuliuoti.

Prieš prijungdami prietaisą prie maitinimo šaltinio, palaukite bent 4 valandas. Per šį laiką alyva subėgs atgal į kompresorių.

Nejrenkite prietaiso arti radiatorių ar kitų šilumos šaltinių.

Nejrenkite prietaiso tiesioginių saulės spindulių apšviečiamoje vietoje.

### Elektros maitinimo prijungimas

#### ĮSPĖJIMAS

Gaisro ir elektros smūgio rizika. Prietaisas turi būti prijungtas prie įžeminto maitinimo lizdo. Įsitinkite, kad duomenų plokštelėje esanti elektros maitinimo informacija atitinka

maitinimo šaltinio duomenis. Jei

taip nėra, kreipkitės į elektriką.

Visada naudokite tinkamai įrengtą smūgiams atsparų lizdą.

Nenaudokite šakotuvų ir ilgintuvų.

Pasirūpinkite, kad nebūtų pažeisti elektros komponentai (pvz., kištukas, maitinimo kabelis).

Kreipkitės į įgaliotąjį techninės priežiūros centrą arba elektriką, kad pakeistų elektros komponentus.

Maitinimo kabelis turi būti žemiau kištuko lygio.

Kištuką į maitinimo lizdą įjunkite tik įrengimo pabaigoje.

Pasirūpinkite, kad įrengus prietaisą kištukas būtų lengvai pasiekiamas.

Norėdami išjungti prietaisą, netraukite maitinimo kabelio.

Visada traukite tik kištuką.

Kad kompresorius veiktų, šiam įrenginiui reikia mažiausiai

25 A elektros energijos. Kad išvengtumėte namų elektros

energijos blokavimo, šiam įrenginiui nenaudokite jokio ilgintuvo.

### Naudoti

#### ĮSPĖJIMAS

Sužeidimų, nudegimų, elektros smūgio ar gaisro pavojus.

Nekeiskite šio prietaiso specifikacijos.

Būkite atsargūs, kad nepažeistumėte šaltnešio kontūro.

Jame yra propano (R290), aplinkoje lengvai pasklindančių gamtinių

dujų. Šios dujos yra degios.

Jei pažeidžiamas šaltnešio kontūras, pasirūpinkite, kad patalpoje nebūtų liepsnos ir

uždegimo šaltinių. Vėdinkite patalpą.

Nedėkite degių gaminių ar daiktų, persisunkusių degiaisiais gaminiais, šalia arba ant prietaiso.

Šį įrenginį valdykite esant 35 laipsnių ar mažesnei aplinkai.

Periodiškai valykite oro filtrą, kad galėtumėte mėgautis efektyviausiu aušinimu.

Kai įrenginys išjungtas, palaukite bent 3,5 minutes prieš perkraudami, kad kompresorius nebūtų pažeistas.

Įjungus įrenginį, ventiliatorius veiks, tačiau kompresorius įsijungs po to, kai aušinimo signalizacija sumirksės tris minutes.

Kondicionierių galima prijungti tik prie maitinimo šaltinio, kurio sistemos varža ne didesnė kaip 0,219Ω. Jei reikia informacijos apie sistemos impedanciją kreipkitės į tiekimo instituciją.

### Šalinimas

#### ĮSPĖJIMAS

Pavojus susižeisti.

Atjunkite prietaisą nuo maitinimo tinklo.

Nupjaukite maitinimo laidą ir išmeskite.

Šio prietaiso šaltnešio kontūras nekenkia ozonui. Informacijos apie tai, kaip tinkamai išmesti prietaisą, teiraukitės savivaldybėje.

Nepažeiskite aušinimo įrenginio dalies, esančios šalia šilumokačio.

## ORO KONDICIONIERIAUS PARUOŠIMAS MONTUOTI

### Gabenimas, ženklimas ir laikymas

1. Įrangos, kurioje yra degių šaltnešių, gabenimas turi atitikti gabenimo taisykles
2. Įrangos žymėjimas naudojant Atitiktis su vietinėms taisyklėms ženklais
3. Įrangos šalinimas naudojant degius šaltnešius laikantis nacionalinių taisyklių
4. Įrangos / prietaisų laikymas- Įranga turėtų būti laikoma pagal gamintojo instrukcijas.
5. Supakuotos (neparduotos) įrangos laikymas- Laikomos pakuotės apsauga turėtų būti sukonstruota taip, kad mechaniniai pakuotės viduje esančios įrangos pažeidimai nesukels šaltnešio įkrovos. Didžiausią leistiną kartu laikyti įrenginių skaičių nustato vietiniai įstatymai.
6. Prietaisų reikia laikyti taip, kad nesukeltų mechaninių pažeidimų.
7. Bendras darbo plotas- Visi techninės priežiūros darbuotojai ir kiti, dirbantys toje teritorijoje, turi būti instruktuoti apie atliekamo darbo pobūdį. Vengti darbo uždaroje patalpose. Teritorija aplink darbo vietą turi būti atskirta. Užtikrinkite, kad sąlygos aplink būtų saugios, sukontroliuodami degias medžiagas.

### 2. Įrengimas

#### Svarbu

1. Šį oro kondicionierių galite patogiai perkelti patalpoje į norimą vietą; pervežkite laikykite jį vertikaliaje padėtyje. Oro kondicionierių statykite ant lygaus paviršiaus.

Neįrenkite ir nenaudokite šio oro kondicionieriaus vonioje ar kitoje drėgnoje patalpoje.

Kadangi mobilus oro kondicionierius turi ratukus, jį lengva pervežti į norimą vietą. Patalpai įkaitus, galima tiesiog įvežti į ją mobilų oro kondicionierių ir greitai atvėsinti orą. Oro kondicionierius veiksmingiausiai naudojamas uždaroje patalpoje. Uždarykite visas duris, langus ir kitas angas, vedančias į patalpą. Oro kondicionieriaus veiksmingumas priklauso nuo temperatūros ir drėgmės lygio.

2. Oro kondicionierių statykite vietoje, kurioje jis neblokotų oro srauto tėkmės per prietaiso priekinę dalį.

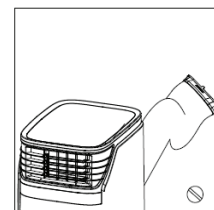
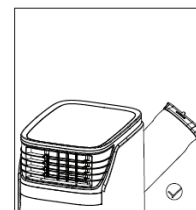
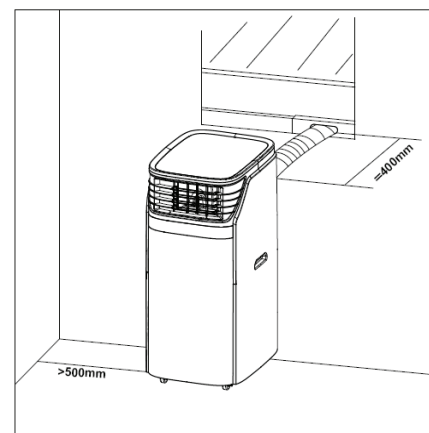
3. Oro kondicionierius, veikiantis tokioje uždaroje erdvėje kaip spinta, bus mažai veiksmingas, jeigu nebus užtikrinamas tinkamas oro srauto patekimas į erdvę ir išmetimas iš jos. Mobilus oro kondicionierius pašalina šilumą iš prietaiso per ventiliatoriaus žarną ir išmeta per langą arba išmetamojo oro vožtuvą.

4. Ištraukite išmetimo žarną iki ne

ilgesnio kaip 400 mm ilgio. Išmetimo žarna turi būti laikoma lygiagrečiai ir negalima lenkti aukštyn ar žemyn.

5. Tarp oro kondicionieriaus ir kito artimiausio objekto būtina palikti bent 50 cm atstumą. Žr. nuorodinį pav.

6. Kai šis prietaisas pradeda atitirpti, šviesos diode bus rodomas žodis „DF“



## PRODUKTO APRAŠYMAS

### 3. Produkto aprašymas

#### A

1. Išleidimo žarna
2. Lango jungtis Pasirenkamas (į komplektą neįeina)
3. Lango rinkinys
4. Kaištis
5. Baterijos
6. Nuotolinio valdymo pultas
7. Jungtis šalto oro išleidimo linijai (pasirinktinai)

#### B

1. Produkto iliustracijos

#### C

1. Vėsaus oro išleidimo anga
2. Valdymo pultas
3. Apvalus adapteris (galas)
4. Išmetimo žarna
5. Dešinės pusės rankena
6. Karšto oro išleidimo anga
7. Viršutinė drenažo anga
8. Vėsaus oro įleidimo grotelės
9. Kairės pusės rankena
10. Karšto oro įleidimo grotelės
11. Apatinė drenažo anga

#### D

1. Produkto vaizdai iš galinės pusės

#### E

1. Produkto vaizdas iš viršaus

#### F

1. MAITINIMO KLAVIŠAS
2. FUNKCIJA
3. TEMPERATŪROS REGULIAVIMO RAKTAS (AUKŠTYN)
4. TEMPERATŪROS REGULIAVIMO RAKTAS (ŽEMYN)
5. L.E.D. EKRANAS
6. GREITIS
7. PROGRAMUOJAMAS LAIKMĖČIUS
8. MIEGO VALDYMO FUNKCIJA
9. VARSTYMAS

#### G

1. Oro filtro išėmimo iliustracija

#### H

1. Filtro valymo scheminė diagrama

#### I

1. POWER—įjungimo / išjungimo jungiklis
2. FUNC—Funkcijos „MODE“ (REŽIMAS) pasirinkimas
3. TIMER—Valandinis programavimas
4. AUTO—Automatinis ventiliatoriaus greitis
5. HI—Didelis ventiliatoriaus greitis
6. MID—Vidutinis ventiliatoriaus greitis
7. LOW—Mažas ventiliatoriaus greitis
8. SLEEP—Naktinio veikimo parinkiklis
9. TEMP.—Temperatūros parinkiklis
10. SWING—Varstymas

#### J

1. Nuotolinio valdymo elektromagnetinės įrangos įrengimas. Naudokite tik 2 AAA tipo 1,5 V baterijas.

#### K

1. Įsukite išmetimo žarną į žarnos jungtį

#### L

1. Išleidimo žarnos įrengimo pagrindai

#### M

1. Lango slankiklio mechanizmo įrengimas

#### N

1. Įleidimo anga lango mechanizmui

#### O

1. Vandens išleidimo angos iliustracija

## EKSPLOATAVIMO REŽIMŲ FUNKCIJA IR ĮRENGIMO APRAŠYMAI

### A. Priedai

Išpakavę patikrinkite, ar yra aukščiau paminėti priedai, ir patikrinkite jų paskirtį šio vadovo diegimo įžangoje. Šalto oro išleidimo linijos jungtis yra pasirinktinė.

### B. Mobilus oro kondicionierius

J. Nuotolinio valdymo išvaizda ir funkcija.  
Pastabos: - Nenumeskite nuotolinio valdymo pulto. - Nestatykite nuotolinio valdymo pulto ant tiesioginių saulės spindulių.

### M. Valdymo įvadas

Prieš pradėdami veiksmus šiame skyriuje:

- 1) Raskite vietą, kur netoliese yra maitinimo šaltinis.
- 2) Sumontuokite išmetimo žarną ir gerai sureguliuokite lango padėtį.
- 3) Gerai prijunkite išleidimo žarną (tik naudojant šildymo modelį);
- 4) Įkiškite maitinimo laidą į įžemintą AC220 ~ 240V / 50Hz lizdą;
- 5) Norėdami įjungti oro kondicionierius, paspauskite mygtuką POWER.

K&L. Išmetimo žarnų montavimo įvadas

#### A) Laikinas įrengimas

1. Įsukite išmetimo žarną į žarnos jungtį ir oro kondicionieriaus gale esančią angą
2. Kitą išmetimo žarnos galą padėkite šalia palangės.

#### N. Langu slankiklių rinkinio montavimas

Langu slankiklių rinkinio montavimo būdas dažniausiai yra „horizontalus“ ir „vertikalus“. Kaip parodyta 5 ir 5a pav., prieš montavimą patikrinkite min. ir maks. lango dydį.

1. Sumontuokite lango komplektą ant lango;
2. Sureguliuokite lango slankiklio rinkinio ilgį pagal lango plotį ar aukštį ir pritvirtinkite kaiščiu;
3. Įkiškite lango jungties žarną į lango rinkinio angą.

#### O. Vidinio rezervuaro vandens aliarmo funkcija

Kondicionieriaus vidinėje vandens

talpykloje yra vienas vandens lygio jungiklis, kuris kontroliuoja vandens lygį. Kai vandens lygis pasiekia numatomą aukštį, užsidega viso vandens indikatoriaus lemputė. (kai vanduo bus pilnas, pašalinkite gumos kamštį įrenginio apačioje, ir visas vanduo bus išleistas lauke.)

#### H. Priežiūros paaiškinimų deklaracija:

*Labai svarbu, kad filtras būtų reguliariai valomas; Priešingu atveju oro kondicionierius gali prarasti talpą ir netgi būti rimtai pažeistas.*

- 1) Prieš valydami, būtinai atjunkite įrenginį nuo bet kurio elektros tiekimo lizdo;
- 2) Įrenginiui valyti nenaudokite benzino ar kitų chemikalų;
- 3) Neplaukite įrenginio tiesiogiai;
- 4) Jei kondicionierius pažeistas, susisiekiate su pardavėju arba remonto dirbtuvėmis.

#### 1. Oro Filtras

-Jei oro filtras užsikemša dulkelėmis / nešvarumais, jį reikia valyti kartą per dvi savaites.

-Išmontavimas

Atidarykite oro išleidimo groteles ir nuimkite oro filtrą.

-Valymas

Nuvalykite oro filtrą neutraliu plovikliu drungnoje (40 °C) temperatūroje ir išdžiovinkite pavėsyje.

-Montavimas

Įstatę oro filtrą į įvado groteles, grąžinkite komponentus taip, kaip jie buvo.

#### 2. Nuvalykite oro kondicionieriaus paviršių.

Pirmiausia nuvalykite paviršių neutraliu plovikliu ir drėgnu skudurėliu, tada nuvalykite sausu skudurėliu.

#### E. Prieš naudojant

Patikrinkite, ar išmetimo žarna tinkamai pritvirtinta. Perspėjimai dėl vėsinimo ir sausavimo operacijų: -Kai naudojate

aušinimo ir drėgmės šalinimo funkcijas, tarp kiekvieno POWER paspaudimo išlaikykite mažiausiai 3 minučių pertrauką.

- Maitinimas atitinka reikalavimus.

-Lizdas skirtas naudoti kintamosios srovės tinkle.

-Nenaudokite vieno lizdo su kitais prietaisais.

-Maitinimo šaltinis yra

AC220-240V, 50Hz

Atjungus: Visos klavišų ir indikatorių lemputės nėra matomos. Įjungus: Maitinimo mygtuko ir laiko mygtuko indikatoriaus lemputė pusiau veikia.

#### 1. MAITINIMO KLAVIŠAS

Norėdami įjungti įrenginį paspauskite „ON“ arba „OFF“

#### 2. FUNKCIJA

Paspauskite šį mygtuką norėdami pasirinkti aušinimą, oro sausinimą ar ventiliatorių.

#### 3. TEMPERATŪROS REGULIAVIMO RAKTAS (AUKŠTYN)

Aušinimo funkcijos metu: Šis mygtukas kiekvieną kartą paspaudus pakelia nustatytą temperatūrą 1 °C, o maksimali riba yra 30 °C. Šildymo funkcijos metu (tik "Duo" modelyje) šis mygtukas kiekvieną kartą jį paspaudus pailgina laiką viena valanda, kartu pailgėja ir ciklas. Laiko nustatymo funkcijos metu: Padidinamas laikas. Šis mygtukas padidina laiką 1 valanda kiekvieną kartą, kai jis paspaudžiamas, ir didina ciklą.

#### 4. TEMPERATŪROS REGULIAVIMO RAKTAS (ŽEMYN)

Aušinimo funkcijos metu: Šis mygtukas kiekvieną kartą paspaudus nuleidžia nustatytą temperatūrą 1 °C, o minimali riba yra 17 °C. Vykdamas šildymo funkciją (tik "Duo" modelis) šis mygtukas kiekvieną kartą jį paspaudus iš anksto nustatytą temperatūrą padidina 1 °C, kartu nustatant didžiausią 30 °C ribą. Laiko nustatymo funkcijos metu: Mažėjantis laikas, Šis mygtukas sumažina laiką 1 valanda

## EKSPLOATAVIMO REŽIMŲ FUNKCIJA IR ĮRENGIMO APRAŠYMAI

kiekvieną kartą paspaudus ir sumažina ciklą.

### 5. L.E.D. EKRANAS

Ekrane rodoma esama nustatymo temperatūra arba laikmačio nustatymas. Pakoregavus nustatytą temperatūrą arba laikmatį, rodomas naujas nustatymas, tada ekrane pateikiama dabartinė nustatyta temperatūra.

※ Ekranas taip pat naudojamas klaidų kodams rodyti, jei įvyktų gedimas, žr. KLAIDŲ KODAI.

### 6. GREITIS

Aušinimas: Paspauskite norėdami pasirinkti LOW, MEDIUM, HIGH arba AUTO ventiliatoriaus greitį. Jei pasirinkta „AUTO“, „HIGH“, „MEDIUM“ arba „LOW“ bus pasirinktos automatiškai, atsižvelgiant į nustatytos temperatūros ir aplinkos temperatūros skirtumą. Aplinkos temperatūra - Nustatymo temperatūra >4°C: Mašina turi dideliu greičiu veikiantį ventiliatorių.

2°C ≤ Aplinkos temperatūra - Nustatymo temperatūra ≤4°C: Mašina yra vidutiniu greičiu veikiantis ventiliatorius.

0°C ≤ Aplinkos temperatūra - Nustatymo temperatūra ≤2°C: Mašina turi mažu greičiu veikiantį ventiliatorių.

Ventiliatorius: Paspauskite norėdami pasirinkti LOW, MEDIUM, HIGH arba AUTO ventiliatoriaus greitį.

\* Atkreipkite dėmesį, kad automatinį vėjo greitį galima nustatyti tik šildymo (tik "Duo" modelis) ir vėsinimo režimuose.

Pastaba. drėgmės šalinimo funkcijoje šis mygtukas yra netinkamas, nes įrenginys yra apibrėžtas kaip mažas greitis sausavimo režime.

### 7. PROGRAMUOJAMAS LAIKMATIS

Programuojamas laikmetis ON/OFF mygtukas ĮJUNGTAS LAIKMATIS: Įjungtas laikmatis naudojamas automatiškai įjungti įrenginį pasibaigus nustatytam laikui.

1) Budėjimo būsenoje paspauskite mygtuką „TIMER“, kad nustatytumėte

norimą laiką.

2) Pasibaigus nustatytai valandai, įrenginys įsijungs automatiškai.

3) Prieš pasibaigiant laikui, paspauskite mygtuką „POWER“, nustatymo laikas bus atšauktas ir įrenginys įsijungs.

4) Nustatydami laikmatį, galite nustatyti funkciją ir ventiliatoriaus greitį.

IŠJUNGTAS LAIKMATIS: Išjungtas laikmatis naudojamas automatiškai išjungti įrenginį pasibaigus nustatytam laikui.

1) Norėdami nustatyti norimą laiką, paspauskite „TIMER“ mygtuką veikimo būsenoje.

2) Pasibaigus nustatytai valandai, įrenginys išsijungs automatiškai.

3) Prieš pasibaigiant laikui, paspauskite mygtuką „POWER“, nustatymo laikas bus atšauktas ir įrenginys išsijungs.

### 8. MIEGO VALDYMO FUNKCIJA

1) Aušinimo režimo metu paspauskite mygtuką SLEEP, kad nustatytumėte temperatūrą. Po valandos jis padidėja 1°, o po 2 valandų - daugiausia 2°.

2) Norėdami atšaukti nustatymą, dar kartą paspausti mygtuką SLEEP.

### 9. VARSTYMAS

Paspauskite šį mygtuką, norėdami pasukti oro išleidimo angos ašmenis, ir jis sustos, kai šis mygtukas bus dar kartą paspaustas.

### ĮSPĖJIMAS

Kai vandens bakas užpildytas, ekrano ekrane bus rodoma „E4“. Norėdami tęsti darbą, pirmiausia nuimkite išleidimo žarnos guminių dangtelį, kad pirmiausia ištekėtų vanduo. E4 įspėjimas išnyks nusausinus, tada paspausdami POWER mygtuką ir galite iš naujo paleisti įrenginį.

### Priežiūra

Valykite įrenginį minkštu drėgnu skudurėliu. Nenaudokite tirpiklių ar stiprių valiklių, nes tai gali sugadinti įrenginio paviršių.

### Aptarnavimo

Jeigu oro kondicionieriui reikia atlikti techninę apžiūrą, pirmiausia turite susisiekti su vietiniu mažmenininku. Pateikus pretenzijas, dėl garantijos reikia pateikti pirkimo įrodymą.

### Laikymo instrukcijos

#### Sezono pabaiga

1) Atsukite kanalizacijos dangtį ir ištraukite kamštį, kad kondensatas visiškai nutekėtų.

2) Pusę dienos palaikykite ventiliatoriaus režimą, kad jis visiškai išdžiūtų ir nepelytų.

3) Išjunkite įrenginį, ištraukite kištuką, tada apvyniokite maitinimo laidą aplink vielos apvijos stulpą, įkiškite kištuką į universalią tvirtinimo angą, esančią galiniame įrenginio skydelyje, uždėkite vandens kamštį ir išleidimo dangtį.

4) Nuimkite šilumos išmetimo žarnų mazgą, išvalykite ir tinkamai laikykite.

5) Tinkamai supakuokite oro kondicionierių į minkštą plastikinį maišelį ir padėkite jį į sausą vietą, kad nepatektų dulksės, laikykite atokiau nuo vaikų.

6) Išimkite baterijas iš nuotolinio valdymo pulto ir tinkamai jį laikykite.

#### Pastaba:

Įsitikinkite, kad įrenginys laikomas sausoje vietoje. Visi įrenginio priedai turi būti tinkamai apsaugoti

Maitinimo laido laikiklis ir universalus

lizdas gali gerai apsaugoti maitinimo laidą. Pažangumas, ekologiškumas ir taupoma energija naudojant savaiminio garavimo aušinimo sistemą.

24 valandų laikmačio funkcija, unikali įjungimo / išjungimo funkcija su muzika.

3,5 minučių vėlavimas vėl paleisti kompresoriaus apsaugą ir kitas daugialypės apsaugos funkcijas.

Problema	Priežastis	TRIKČIŲ ŠALINIMAS
Prietaisas neįsijungia	Elektros tikimo triktis Prietaisas pilnas vandens, šviečia lemputė Per aukšta arba per žema aplinkos temperatūra Patalpos temperatūra yra žemesnė nei nustatyta temperatūra aušinimo režimu arba aukštesnė nei nustatyta temperatūra šildymo režimu	Prijunkite įrenginį prie elektros lizdo ir įjunkite Išleiskite iš prietaiso vandenį. Rekomenduojama prietaisą eksploatuoti esant 8-35 Nustatykite temperatūrą
Aušinama netinkamai	Į prietaisą krenta tiesioginiai saulės spinduliai Atidaryti langai ir durys, patalpoje daug žmonių ar kitų šilumos šaltinių Purvinas filtras Užsikimšo oro įsiurbimo arba išleidimo anga	Uždarykite žaliuzes Uždarykite duris ir langus, pašalinkite kitus šilumos šaltinius Nuvalykite arba pakeiskite filtro tinklę Pašalinkite kliūtis
Didelis garsas	Prietaisas pastatytas ant nelygaus paviršiaus.	Pastatykite prietaisą ant lygaus ir kieto paviršiaus (gali veikti tyliau)
Neveikia kompresorius	Įjungiamą apsauga nuo perkaitimo	Palaukite, kol temperatūra sumažės, prietaisas vėl įsijungs automatiškai
Neveikia nuotolinio valdymo pultas	Per didelis atstumas Nuotolinio valdymo pultas neatsuktas į signalų imtuvą ant prietaiso. Išsikrovė baterijos	Nuotolinio valdymo pultą prineškite arčiau oro kondicionieriaus, įsitikinkite, kad imtuvas priima signalą. Pakeiskite baterijas
<p>Jei su sausintuvu iškilo problemų, žr. sk. Trikčių diagnostika. Jei patarimai nepadaeda, susisiekite su savo oro kondicionieriaus aptarnavimo įmone.</p>		

Klaidų kodai	Priežastis	TRIKČIŲ ŠALINIMAS
E1 Kodas	Trumpas elektros jungimas tiek temperatūros jutiklyje, tiek PCB	Dėl remonto kreipkitės į elektriką
E2 Kodas	Trumpas elektros jungimas temperatūros jutiklio vario vamzdyje ir PCB laiduose	Dėl remonto kreipkitės į elektriką
E4 Kodas	Rodo, kad vandens bakas yra pilnas arba blogas kontaktas su maitinimo kištuku	Norėdami išleisti vandenį, vartotojas turi ištraukti guminį kamštį, esantį įrenginio apačioje. Arba patikrinkite, ar tinkamas maitinimo kištukas

## Garantijos

2 metų vartotojo garantija dėl gamybos trūkumų nebuvimo. Atkreipkite dėmesį, kad garantija galioja tik pateikus pirkimo kvitą. Garantija galioja tik tuo atveju, jei prietaisas buvo naudojamas pagal instrukcijas ir saugos įspėjimus, pateikiamus šiame vadove. Garantija neapima žalos, atsiradusios dėl netinkamo produkto naudojimo.

PASTABA. 2 metų garantija taikoma tik buitiniams vartotojams, be komerciniam prietaiso naudojimui.



### PASTABA!

Užsiregistruokite adresu [www.warranty-woods.com](http://www.warranty-woods.com) ir sužinokite daugiau apie tai, kaip pratęsti garantiją. Daugiau informacijos pateikiama tinklalapyje [woods.se](http://woods.se).

### Rekomenduojamos sąlygos tinkamam oro sausintuvo veikimui:

Geriausia darbinė aplinkos temperatūra vėsinant yra 17–35 °C. Saugiklio parametras: 5ET arba SMT, 3.15A, 250Vac.

TECHNINIAI DUOMENYS	Palermo 18K	Palermo 18K Duo A+	Palermo 22K
Aušinimo galia	5,3 KW	5,3 KW	6,5 KW
Šildymo pajėgumas		5,0 KW	
Elektros sąnaudos aušinimas/šildymas	2,030 KW	1,7 KW/1,65KW	2,500 KW
Oro srautas:	950 m <sup>3</sup> /h	950 m <sup>3</sup> /h	950 m <sup>3</sup> /h
Energijos klasė	A	A+	A
Sausinimas	90 L/24h	90 L/24 h	120 L / 24h
Temperatūros nustatymas	17–30 °C	17-30 °C	17–30 °C
Darbinė temperatūra aušinimas/šildymas	16–35 °C	16-35 °C /heating7-23°C	16–35 °C
EER aušinimas/šildymas	2,6	3,1/ 3,0	2,6
Šaltnešio dujos	R290/264g	R290/250g	R290/369g
Garsumo lygis	65 dB	65dB	65 dB
Svoris	51 kg/60 kg	51,5 kg/60,5 kg	52 kg/61 kg
Matmenys mm, I x P x A	540x695x1140	540 x 695 x 1140	540x695x1140

\* Gali būti techninių pakeitimų ir patobulinimų. Visos vertės yra apytikrės ir gali skirtis dėl išorinių aplinkybių, pavyzdžiui, temperatūros, vėdinimo ir drėgmės.



#### Pastaba: Aplinkos apsauga ir šalinimas

- Vartotojai yra teisiškai įpareigoti tinkamai šalinti elektrinius prietaisus, lempas ir baterijas pasibaigus jų naudojimo laikui.
- Juos galima nemokamai grąžinti į tam skirtas viešąsias surinkimo vietas arba per mažmenininkus.
- Asmens duomenų ištrynimasis yra vartotojo atsakomybė.
- Lemputės ir baterijas, kurias galima saugiai išimti ir kurios nėra įmontuotos nuolatinei, reikia atskirti ir šalinti atskirai.
- Teisės aktų reikalavimus atitinkantis šalinimas reglamentuojamas regioniniais teisės aktais.
- Perbraukto šiukšlių konteinerio simbolis reiškia, kad elektriniai prietaisai ir baterijos po jų naudojimo laiko pabaigos jokia būdu negali būti išmetami su buitineis atliekomis.
- Po šiukšlių dėžės esantys simboliai nurodo, kad gaminyje gali būti tam tikrų medžiagų (švinas = Pb, gyvsidabris = Hg, kadmis = Cd).
- Šis atskyrimas yra būtinas, nes baterijose ir elektriniuose prietaisuose yra vertingų išteklių ir medžiagų, kurios yra kenksmingos žmonėms ir aplinkai.
- Perdirbdami, surinkdami ir pakartotinai naudodami baterijas ir tinkamus elektrinius prietaisus, jūs prisidedate prie aplinkos ir žmonių sveikatos išsaugojimo ir apsaugos.

## WOOD'S TĪRAM UN VESELĪGAM IEKŠTELPU GAISAM

Wood's zīmols kopā ar Wood's saimi radās pirms vairāk nekā 65 gadiem Kanādas pilsētā Guelph (Ontario). Šeit Wood's 1950. gadā sāka izstrādāt un ražot gaisa sausinātājus. Kopš tā laika Wood's palīdzību izmantojušo mājsaimniecību skaits sasniedz vairākus simtus tūkstošu, novēršot mitra pelējuma izraisītos zaudējumus un elpojot tīrāku gaisu. Mūsu pārnēsājami gaisa kondicionētāji ir piemēroti lietošanai vairumā klimatu, kur jauda ir laba pat dažādos temperatūras un mitruma līmeņos. Tie nodrošina labus rezultātus uzkaršās telpās, piemēram, dzīvojamās istabās, birojos un guļamistabās. Gaisa kondicionētāja izvadītā karstā gaisa daudzums ir atkarīgs no temperatūras, mitruma līmeņa un novietojuma. Gaisa kondicionētāja veikspēju var ietekmēt arī ārēji laikapstākļi.

Wood's gaisa kondicionētāju ekspluatācija ir droša, un tiek ir paredzēti pastāvīgi lietošanai daudzu gadu garumā.

## KĀ DARBOJAS GAISA KONDICIONĒŠANAS IERĪCE?

Zems spiediens nodrošina aukstu gaisu. Gaisa kondicionētāja galvenais elements ir aukstumaģents, kas zema spiediena gadījumā tiek pārvērsts par gāzi. Šis process "rada aukstumu", kas tiek pārnest uz iekšpusi, silto gaisu atstājot ārā.

Šķidrums aukstumaģents iziet caur izplešanās vārstu un nonāk caurulē, kur ir zems spiediens.

Aukstumaģents iztvaiko un pārvēršas par gāzi. Process absorbē vides siltumu, un caurule tiek atdzesēta.

Ventilators auksto gaisu iepūš telpā.

Gāze iziet caur kompresoru, kas palielina spiedienu un pārvērš gāzi šķidrumā.

Šajā procesā tiek atbrīvots siltums, kas tiek aizvadīts uz caurulēm pretējā pusē un izpūsts ar ventilatoru.

Termostats izslēdz ierīci, kad iekštelpu gaiss ir pietiekami vēss.

## 1. DROŠĪBAS BRĪDINĀJUMI



Viegli uzliesmojošs materiāls. Šī ierīce satur R290/propānu, kas ir viegli uzliesmojošs aukstumaģents.



Informāciju par drošību skatiet šajā rokasgrāmatā.



Izlasiet tehnisko rokasgrāmatu



Izlasiet operatora rokasgrāmatu.

### INFORMĀCIJA PAR DROŠĪBU

Pirms ierīces uzstādīšanas un lietošanas uzmanīgi izlasiet komplektā iekļauto instrukciju. Ražotājs neuzņemas atbildību par nepareizas uzstādīšanas un lietošanas izraisītām traumām un kaitējumiem. Vienmēr glabājiet instrukciju ierīces tuvumā turpmākai uzziņai.

### Bērnu un neaizsargātu personu drošība

#### BRĪDINĀJUMS



Traumu vai neatgriezeniskas invaliditātes risks.

Šo ierīci drīkst lietot bērni no 8 gadu vecuma un personas ar fiziskiem, maņu orgānu vai garīgiem traucējumiem, kā arī personas, kurām nav nepieciešamās pieredzes un zināšanu, ja tās ir saņēmušas praktisku apmācību vai norādījumus par ierīces lietošanu drošā veidā un saprot ar to saistītos apdraudējumus.

Neļaujiet bērniem rotaļāties ar ierīci.

Bērni līdz 3 gadu vecumam nedrīkst tuvuoties ierīcei, ja vien viņi netiek nepārtraukti uzraudzīti.

Sargājiet visu iepakojumu no bērniem.

Bērni nedrīkst bez uzraudzības veikt tīrīšanu un lietotāja apkopi.

### Vispārējā drošība

Šo ierīci ir paredzēts izmantot mājsaimniecībā un tamlīdzīgos pielietojumos, piemēram: ģimenes istabā, dzīvojamā istabā, personāla virtuves zonās veikalos, birojos un citās darba vidēs. Nominālo tehnisko datu plāksnīte atrodas gaisa kondicionētāja sānos vai aizmugurē. Nodrošiniet, lai ventilācijas atveres nebūtu nosprostotas.

Atkausēšanas procesa paātrināšanai neizmantojiet mehāniskas ierīces vai citus līdzekļus, ko nav ieteicis ražotājs.

Ierīci nedrīkst glabāt telpā, kur darbojas uzliesmošanas avoti (piemēram, atklāta liesma, aizdegta gāzes ierīce vai ieslēgts elektriskais sildītājs). Necaurduriet un nededziniet.

Ņemiet vērā, ka aukstumaģentiem var nebūt smaržas. Ierīces tīrīšanai neizmantojiet ūdens smidzinātāju un tvaiku. Tīriet ierīci ar mitru mīkstu drānu. Izmantojiet tikai neitrālus mazgāšanas līdzekļus. Neizmantojiet abrazīvus produktus, abrazīvus tīrīšanas spilventiņus, šķīdinātājus vai metāla priekšmetus.

Ja ir bojāts strāvas padeves vads, ražotājam, tā pilnvarotam apkopes centram vai līdzīgas kvalifikācijas personām tas ir jānomaina, lai novērstu apdraudējumu.

### DROŠĪBAS NORĀDĪJUMI

## Uzstādīšana

### BRĪDINĀJUMS

Šo ierīci drīkst uzstādīt tikai kvalificēta persona. Noņemiet visu iepakojumu. Neuzstādi un nelietojiet bojātu ierīci. Ierīce ir jāuzstāda, jālieto un jāglabā telpā, kuras izmērs ir lielāks par 13 m<sup>2</sup>(AC Palermo 18K) /25 m<sup>2</sup>(AC Palermo 22K). Izpildiet ierīces uzstādīšanas instrukcijā sniegtos norādījumus. Pārvietojot ierīci, vienmēr rīkojieties piesardzīgi, jo ierīce ir smaga. Vienmēr lietojiet aizsargcimdus. Ņemiet vērā, ka aukstumaģentiem var nebūt smaržas. Nodrošiniet, lai ap ierīci varētu cirkulēt gaiss. Pirms ierīces pievienošanas strāvas avotam uzgaidiet vismaz 4 stundas. Tā ir jārikojas, lai eļļa varētu ieklūst atpakaļ kompresorā. Neuzstādi ierīci radiatoru vai citu karstuma avotu tuvumā. Neuzstādi ierīci tiešā saules gaismā.

## Elektriskais savienojums

### BRĪDINĀJUMS

Ugunsgrēka un elektriskās strāvas trieciena risks. Ierīce ir jāpievieno iezemētai kontaktligzdai. Pārliedzieties, vai nominālo tehnisko datu plāksnītē norādītie elektrības dati atbilst strāvas avota parametriem. Ja tā nav, sazinieties ar elektriķi. Vienmēr izmantojiet pareizi uzstādītu triecienizturīgu kontaktligzdu. Neizmantojiet vairāku ligzdu adapterus un pagarinātājus. Uzmanieties, lai nesabojātu

elektriskās sastāvdaļas (piemēram, strāvas padeves kontaktdakšu un kabeli). Ja ir jānomaina elektriskās sastāvdaļas, sazinieties ar pilnvaroto apkopes centru vai elektriķi. Strāvas padeves kabelim ir jāatrodas zemāk par strāvas padeves kontaktdakšu. Pievienojiet strāvas padeves kontaktdakšu elektrotīkla kontaktligzdai tikai uzstādīšanas beigās. Pēc uzstādīšanas pārliedzieties, vai var piekļūt strāvas padeves kontaktdakšai. Nevelciet strāvas padeves kabeli, lai atvienotu ierīci. Vienmēr velciet aiz strāvas padeves kontaktdakšas. Šai ierīcei nepieciešamais strāvas stiprums ir vismaz 25 ampēri, lai tās kompresors varētu darboties. Lai izvairītos no elektroenerģijas padeves atslēgšanās mājās, lūdzu, neizmantojiet šo ierīci ar pagarinātāju.

## Lietošana

### BRĪDINĀJUMS

Savainojumu, apdegumu, elektriskās strāvas trieciena vai ugunsgrēka risks. Nemainiet šīs ierīces tehniskos datus. Uzmanieties, lai nesabojātu aukstumaģenta kontūru. Tas satur propānu (R290), kas ir dabasgāze ar augsta līmeņa saderību ar vidi. Šī gāze ir viegli uzliesmojoša. Aukstumaģenta kontūra bojājumu gadījumā nodrošiniet, lai telpā nebūtu liesmu un uzliesmošanas avotu. Izvēdiniet telpu. Nenovietojiet uz ierīces vai tās tuvumā viegli uzliesmojošus

produktus vai ar šādiem produktiem samitrinātus priekšmetus. Eksploatējiet šo ierīci temperatūrā, kas nepārsniedz 35 Celsija grādus. Regulāri iztīriet gaisa filtru, lai baudītu visefektīvāko dzesēšanu. Kad ierīce ir izslēgta, lūdzu, uzgaidiet vismaz 3,5 minūtes pirms restartēšanas, lai novērstu kompresora bojājumus. Ieslēdzot ierīci, ventilators darbosies, bet kompresors iedarbosies, kad dzesēšanas trauksmes signāls būs mirgojis trīs minūtes. Gaisa kondicionētāju var pievienot tikai pie barošanas avota ar sistēmas impedanci, kas nepārsniedz 0,219 Ω. Ja nepieciešams, lūdzu, sazinieties ar piegādātāju, lai saņemtu informāciju par sistēmas impedanci.

## Likvidēšana

### BRĪDINĀJUMS

Savainojumu risks. Atvienojiet ierīci no strāvas avota. Nogrieziet strāvas padeves vadu un izmetiet to. Šīs ierīces aukstumaģenta kontūrs nav kaitīgs ozonam. Sazinieties ar pašvaldības iestādi, lai uzzinātu, kā pareizi likvidēt ierīci. Nesabojājiet siltummaiņa tuvumā esošo dzesēšanas bloka daļu.

## GAISA KONDICIONĒTĀJA IESTATĪŠANA UZSTĀDĪŠANAI

### Ierīču pārvadāšana, marķēšana un uzglabāšana

1. Uzliesmojošus aukstumaģentus saturošu iekārtu pārvadāšanas atbilstība attiecīgiem noteikumiem
2. Aprīkojuma marķēšana, izmantojot zīmes Atbilstība vietējiem noteikumiem
3. Tādu ierīču likvidēšanas atbilstība valsts noteikumiem, kurās izmanto uzliesmojošus aukstumaģentus
4. Iekārtu/ierīču uzglabāšana. Ierīču uzglabāšanai jāatbilst ražotāja norādījumiem.
5. Iepakotu (nepārdotu) ierīču uzglabāšana  
Uzglabāšanas iepakojuma aizsardzībai jābūt veidotai tā, lai mehāniski iekārtas bojājumi iepakojuma iekšpusē neizraisītu aukstumaģenta noplūdi.  
Maksimālais aprīkojuma vienību skaits, ko atļauts uzglabāt kopā, ir paredzēts vietējos noteikumos.
6. Ierīci uzglabā tā, lai novērstu mehānisku bojājumu rašanos.
7. Vispārējā darba zona. Visi tehniskās apkopes un citi darbinieki, kas strādā attiecīgajā vietā, ir jāinformē par veiktā darba raksturu. Jāizvairās no darba šaurās telpās. Zona ar darba vietu ir jānorobežo. Pārliedzinieties, ka apstākļi darba zonā ir padarīti droši, kontrolējot uzliesmojošo materiālu.

### 2. Uzstādīšana

#### Svarīgi!

1. Šo gaisa kondicionētāju var ērti pārvietot iekštelpās, pārvietošanas laikā ierīci uzturot vertikālā stāvoklī. Gaisa kondicionētājs jānovieto uz līdzenas virsmas.

Šo gaisa kondicionētāju neuzstādiet un nedarbiniet vannas istabā vai citā mitrā vidē.

Tā kā pārnēsājamajam gaisa kondicionētājam ir riteņi, tam var viegli mainīt novietojumu. Kad ieslēdzas siltums, vienkārši pārvietojiet pārnēsājamo gaisa kondicionētāju telpā un varat ātri sākt telpas dzesēšanu.

Lai nodrošinātu optimālu gaisa kondicionētāja efektivitāti, tas jādarbina slēgtā zonā.

Aizveriet visas durvis, logus un telpas pārējās ārējās atveres. Gaisa kondicionētāja efektivitāte ir atkarīga no temperatūras un mitruma līmeņa.

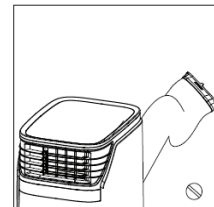
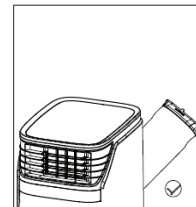
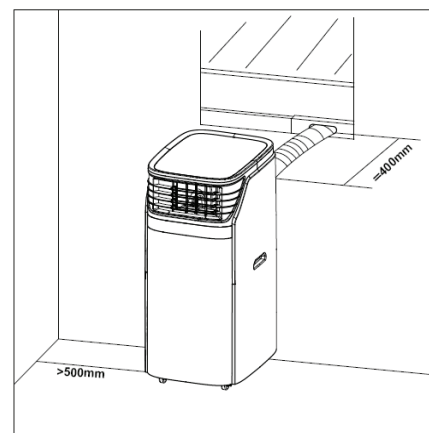
2. Novietojiet gaisa kondicionētāju vietā, kur nav ierobežota gaisa plūsma caur ierīces priekšpusi.

3. Gaisa kondicionētājs, kas darbojas telpā, maz ietekmē vai vispār neietekmē blakusesošās slēgtās uzglabāšanas zonas, piemēram, skapja, žāvēšanu, ja vien šajā zonā nav atbilstošas gaisa cirkulācijas. Pārnēsājams gaisa kondicionētājs izvada siltumu no ierīces ar ventilācijas šļūtenes palīdzību caur logu vai izplūdes gaisa vārstu.

4. Izplūdes šļūteni drīkst pagarināt par ne vairāk kā 400 mm. Izplūdes šļūtenei jāatrodas paralēli, un to nedrīkst saliekt uz augšu vai uz leju.

5. Jānodrošina vismaz 50 cm attālums starp gaisa kondicionētāju un tuvāko priekšmetu. Atsaucei skatiet attēlu.

6. Kad šī ierīce sāk atkausēt, LED tiek rādīts vārds "DF"



## IZSTRĀDĀJUMA APRAKSTS

### 3. Produkta apraksts

#### A

1. Izplūdes šļūtene
2. Loga savienotājs Pēc izvēles (nav iekļauts komplektācijā)
3. Loga komplekts
4. Spraudnis
5. Baterijas
6. Tālvadības pults
7. Aukstā gaisa izvada savienotājs (pēc izvēles)

#### B

1. Izstrādājuma attēli

#### C

1. Aukstā gaisa izvads
2. Vadības panelis
3. Apaļais adapteris (gals)
4. Izplūdes šļūtene
5. Labās puses rokturis
6. Karstā gaisa izplūde
7. Uz augšu vērsta drenāžas atvere
8. Vēsā gaisa ieplūdes režģis
9. Kreisās puses rokturis
10. Karstā gaisa ieplūdes režģis
11. Uz leju vērsta drenāžas atvere

#### D

1. Izstrādājuma aizmugurējās daļas attēli

#### E

1. Izstrādājuma attēls no augšas

#### F

1. IESLĒGŠANAS/IZSLĒGŠANAS TAUSTIŅŠ
2. FUNKCIJA
3. TEMPERATŪRAS REGULĒŠANAS TAUSTIŅŠ (UZ AUGŠU)
4. TEMPERATŪRAS REGULĒŠANAS TAUSTIŅŠ (UZ LEJU)
5. LED DISPLEJS
6. ĀTRUMS
7. PROGRAMMĒJAMS TAIMERIS
8. MIEGA REŽĪMA VADĪBAS FUNKCIJA
9. PAGRIEŠANA

#### G

1. Filtra noņemšanas attēls

#### H

1. Filtra sieta tīrīšanas shematiskā diagramma

#### I

1. BAROŠANA — ieslēgšanas/izslēgšanas poga
2. FUNKCIJA — funkciju REŽĪMA atlase
3. TAIMERIS — stundu programmēšana
4. AUTO — automātisks ventilatora ātrums
5. AUGSTS — liels ventilatora ātrums
6. VIDĒJS — vidējs ventilatora ātrums
7. MAZS — Mazs ventilatora ātrums
8. MIEGS — nakts darbības atlase
9. TEMP. — temperatūras atlase
10. PAGRIEŠANA — pagriešana

#### J

1. Tālvadības pults baterijas nomaiņa. Izmantojiet tikai 2 x AAA 1,5 V baterijas.

#### K

1. Pagriežot ievietojiet izplūdes šļūteni šļūtenes savienotājā.

#### L

1. Ievads izplūdes šļūtenes uzstādīšanā

#### M

1. Logu slīdņu komplekta uzstādīšana

#### N

1. Ievietojiet loga komplekta spraudni

#### O

1. Ūdens izvada attēls

## EKSPLUATĀCIJAS REŽĪMU FUNKCIJAS UN UZSTĀDĪŠANAS APRAKSTI

### A. Piederumi

Pēc izsaiņošanas pārbaudiet, vai ir iekļauti iepriekš minētie piederumi, kā arī skatiet informāciju par to izmantošanas mērķiem šīs rokasgrāmatas ievadā par uzstādīšanu. Aukstā gaisa izvada savienotājs nav obligāts.

### B. Mobilais gaisa kondicionētājs

J. Tālvadības pults izskats un funkcija. Piezīmes. Nenometiet tālvadības pulti. Nenovietojiet tālvadības pulti tiešos saules staros.

### M. Ievads lietošanā

Pirms šajā nodaļā aprakstīto darbību uzsākšanas:

- 1) atrodi vietu, kurai tuvumā ir pieejams strāvas avots;
- 2) uzstādi izplūdes šļūteni un rūpīgi noregulēji loga pozīciju;
- 3) rūpīgi pievienojiet drenāžas šļūteni (tikai modelim ar apsildi);
- 4) iespraudiet strāvas vadu sazemētajā maiņstrāvas 220~240 V/50 Hz kontaktligzdā; 5) nospiediet BAROŠANAS pogu, lai ieslēgtu gaisa kondicionētāju.

### K&L. Ievads izplūdes šļūtenes uzstādīšanā

#### A) Pagaidu uzstādīšana

1. Pagrieziet izplūdes šļūteni, lai to ievietotu šļūtenes savienotājā un izvadā gaisa kondicionētāja aizmugurē.
2. Otru izplūdes šļūtenes galu novietojiet uz tuvākās palodzes.

N. Logu slīdņu komplekta uzstādīšana  
Logu slīdņu komplektu parasti uzstāda horizontāli vai vertikāli. Pirms uzstādīšanas noskaidrojiet loga minimālos un maksimālos izmērus, kā norādīts 5. un 5a. attēlos.

1. Uzstādi loga komplektu uz loga.
2. Noregulēji logu slīdņu komplekta garumu atbilstoši loga platumam vai augstumam un nofiksēji ar tapu.
3. Loga savienotāja šļūteni ievietojiet loga komplekta atverē.

O. Trauksmes signāla funkcija «Iekšējā ūdens tvertne pilna»

Gaisa kondicionētāja iekšējai ūdens tvertnei ir viens ūdens līmeņa drošības slēdzis, kas kontrolē ūdens līmeni. Kad ūdens līmenis sasniedz paredzamo augstumu, iedegas pilnas ūdens tvertnes indikators (kad ūdens tvertne ir pilna, lūdzu, noņemiet gumijas aizbāzni ierīces apakšā, un viss ūdens izplūdis no ierīces).

H. Deklarācija skaidrojumiem par uzturēšanu

1) Pirms tīrīšanas atvienojiet ierīci no jebkāda strāvas avota.

*Filtra regulāra tīrīšana ir ļoti svarīga; pretējā gadījumā var samazināties gaisa kondicionētāja jauda, un tas var tikt nopietni bojāts.*

2) Ierīces tīrīšanai neizmantojiet benzīnu vai citus ķīmiskus līdzekļus.

3) Tieši nemazgājiet ierīci.

4) Ja kondicionētājs ir bojāts, lūdzu, sazinieties ar izplatītāju vai remontdarbniecu.

1. Gaisa filtrs

- Ja gaisa filtru nosprosto putekļi/netīrumi, tas jātīra ik pēc divām nedēļām.

- Demontāža

Atveriet gaisa ieplūdes režģi un izņemiet gaisa filtru.

- Tīrīšana

Tīriet gaisa filtru ar neitrālu tīrīšanas līdzekli remdenā ūdenī (40 °C) un ļaujiet tam nožūt ēnā.

- Montāža

Ievietojiet gaisa filtru ieplūdes režģī, uzstādi komponentus vietās, kur tie bija iepriekš.

2. Vispirms tīriet gaisa kondicioniera virsmu ar neitrālu tīrīšanas līdzekli un mitru drānu, pēc tam noslaukiet ar sausu drānu.

### E. Pirms lietošanas

Pārbaudiet, vai izplūdes šļūtene ir pareizi uzstādīta.

Brīdinājumi par dzesēšanas un sausināšanas darbībām.

- Izmantojot dzesēšanas un sausināšanas funkcijas, pirms katras darbības aktivizēšanas ievērojiet vismaz 3 minūšu

intervālu.

- Strāvas avots atbilst prasībām.

- Kontaktligzda ir maiņstrāvas.

- Nelietojiet to pašu kontaktligzdu citām ierīcēm.

- Strāvas padeve ir maiņstrāvas, 220-240 V, 50 Hz.

Kad atvienots: Neviens taustiņš vai indikators nav redzams.

Kad savienots: Ieslēgšanas/izslēgšanas taustiņa un laika taustiņa indikators daļēji deg darbības laikā.

### 1. IESLĒGŠANAS/IZSLĒGŠANAS TAUSTIŅŠ

Nospiediet, lai ieslēgtu "ON" vai izslēgtu "OFF" ierīci

### 2. FUNKCIJA

Nospiediet šo taustiņu, lai izvēlētos dzesēšanu, mitruma izvadīšanu vai ventilatoru.

### 3. TEMPERATŪRAS REGULĒŠANAS TAUSTIŅŠ (UZ AUGŠU)

Dzesēšanas funkcijas laikā: šis taustiņš paaugstina iepriekš iestatīto temperatūru par 1 °C katru reizi, kad tas tiek nospiests; maksimālā vērtība ir 30 °C. Sildīšanas funkcijas laikā (tikai Duo modelī) šī poga katru reizi, kad tā tiek nospiesta, pagarina laiku par vienu stundu, vienlaikus palielinot cikla ilgumu.

Laikztures iestatīšanas funkcijas laikā: šis taustiņš palielina laiku par 1 stundu katru reizi, kad tas tiek nospiests, tā pagarinot ciklu.

### 4. TEMPERATŪRAS REGULĒŠANAS TAUSTIŅŠ (UZ LEJU)

Dzesēšanas funkcijas laikā: šis taustiņš pazemina iepriekš iestatīto temperatūru par 1 °C katru reizi, kad tas tiek nospiests; minimālā vērtība ir 17 °C. Sildīšanas funkcijas laikā (tikai Duo modelī) šī poga katru reizi, kad tā tiek nospiesta, pagarina laiku par vienu stundu, vienlaikus palielinot cikla ilgumu.

Laikztures iestatīšanas funkcijas laikā: šis taustiņš samazina laiku par 1 stundu katru reizi, kad tas tiek nospiests, tā saīsinot ciklu.

## EKSPLOATĀCIJAS REŽĪMU FUNKCIJAS UN UZSTĀDĪŠANAS APRAKSTI

### 5. LED DISPLEJS

Displejā tiek parādīta pašreizējā iestatījuma temperatūra vai taimera iestatījums. Kad iestatītā temperatūra vai taimeris ir noregulēti, tiek parādīts jaunais iestatījums, tad displejs atkal rāda pašreizējo iestatīto temperatūru.

※ Displejs tiek arī izmantots, lai parādītu kļūdu kodus, ja rodas kļūme, skatiet KĻŪDU KODUS.

### 6. ĀTRUMS

Dzesēšana. Nospiediet, lai atlasītu MAZU, VIDĒJU, LIELU vai AUTOMĀTISKU ventilatora ātrumu.

Ja ir atlasīts "AUTO", ierīce automātiski izvēlēsies MAZU, VIDĒJU VAI LIELU ātrumu atbilstoši starpībai starp iestatīto temperatūru un vides temperatūru. Vides temperatūra – iestatītā temperatūra > 4 °C: ierīces ventilatora ātrums ir liels.

2 °C ≤ Vides temperatūra – iestatītā temperatūra ≤ 4 °C: ierīces ventilatora ātrums ir vidējs.

0 °C ≤ Vides temperatūra – iestatītā temperatūra ≤ 2 °C: ierīces ventilatora ātrums ir mazs.

Ventilators. Nospiediet, lai atlasītu MAZU, VIDĒJU, LIELU vai AUTOMĀTISKU ventilatora ātrumu.

\* Ņemiet vērā, ka automātisko vēja ātrumu var iestatīt tikai apkures (tikai Duo modelis) un dzesēšanas režīmos

Piezīme. mitruma izvadīšanas funkcijas izpildes laikā šis taustiņš nav derīgs, jo ierīcei ir paredzēts mazs ātrums mitruma izvadīšanas režīmā.

### 7. PROGRAMMĒJAMS TAIMERIS

Programmējamā taimera ieslēgšanas/izslēgšanas taustiņš.

TAIMERIS IESLĒGTS. Ieslēgtā taimera funkcija tiek izmantota, lai automātiski ieslēgtu ierīci pēc iestatītā laika beigām.

- 1) Nospiediet TAIMERA taustiņu gaidīšanas režīmā, lai uzstādītu vēlamo laiku.
- 2) Kad iestatītā stunda ir beidzās, ierīce tiek automātiski ieslēgta.
- 3) Pirms noildzes beigām nospiediet taustiņu BAROŠANA, iestatītais laiks tiks atcelts un ierīce tiks ieslēgta.
- 4) Iestatot taimeri, varat iestatīt funkciju

un ventilatora ātrumu.

TAIMERIS IZSLĒGTS. Izslēgtā taimera funkcija tiek izmantota, lai automātiski izslēgtu ierīci pēc iestatītā laika beigām.

- 1) Nospiediet TAIMERA taustiņu darba režīmā, lai uzstādītu vēlamo laiku.
- 2) Kad iestatītā stunda beidzās, ierīce tiek automātiski izslēgta.
- 3) Pirms noildzes beigām nospiediet taustiņu BAROŠANA, iestatītais laiks tiks atcelts un ierīce tiks izslēgta.

### 8. MIEGA REŽĪMA VADĪBAS FUNKCIJA

1) Dzesēšanas režīmā nospiediet MIEGA taustiņu, lai iestatītu temperatūru. Tā palielinās par

1 °C pēc stundas, bet ne vairāk par 2 °C pēc 2 stundām.

2) Vēlreiz nospiediet MIEGA taustiņu, lai atceltu iestatījumu.

### 9. PAGRIEŠANA

Nospiediet šo taustiņu, lai pagrieztu lāpstiņas pie gaisa izvada; šis process tiek apturēts, vēlreiz nospiežot šo taustiņu.

### TRAUKSMES SIGNĀLS

Kad ūdens tvertne ir pilna, displeja panelī tiek rādīts "E4". Lai atsāktu darbu, lūdzu, noņemiet drenāžas šļūtenes gumijas vāciņu, lai vispirms iztecinātu ūdeni. Pēc ūdens izvadīšanas E4 brīdinājums vairs netiek rādīts; tad ierīci var restartēt, nospiežot ieslēgšanas/izslēgšanas taustiņu.

### Uzturēšana

Notīriet iekārtu ar mīkstu, mitru drānu. Neizmantojiet šķīdinātājus vai spēcīgus tīrīšanas līdzekļus, jo tā var sabojāt ierīces virsmu.

### Apkope

Ja gaisa kondicionētājam ir nepieciešama tehniskā apkope, vispirms jāsazinās ar vietējo mazumtirgotāju. Visām garantijas prasībām ir nepieciešams pirkuma apliecinājums.

### Uzglabāšanas instrukcijas

Sezonālās uzglabāšanas beigas

1) Noskrūvējiet drenāžas vāku un izvelciet aizbāzni, lai pilnībā izlaistu kondensāta ūdeni.

2) Turpiniet darbināt iekārtu ventilatora režīmā pusi dienas, lai pilnībā izžāvētu iekšpusi un novērstu pelējuma veidošanos.

3) Izslēdziet iekārtu, izvelciet kontaktdakšu un pēc tam aptiniet strāvas vadu ap stiepli tinuma statni, ievietojiet spraudni universālā stiprinājuma atverē iekārtas aizmugurējā panelī, uzlieciet ūdens aizbāzni un drenāžas vāku.

4) Izņemiet siltuma izplūdes šļūtenes bloku, notīriet un pareizi to uzglabājat.

5) Pareizi iesaiņojiet gaisa kondicionētāju mīkstā plastmasas maisā un novietojiet sausā vietā, pienācīgi aizsargājot pret putekļiem, kā arī sargājiet iekārtu no bērniem.

6) Izņemiet baterijas no tālvadības pults un pareizi to uzglabājat.

Piezīme.

Nodrošiniet iekārtas glabāšanu sausā vietā.

Visi iekārtas piederumi ir pienācīgi jāaizsargā kopā.

Strāvas vada turētājs un universālā ligzda var labi aizsargāt strāvas vadu.

Inteliģenta, videi draudzīga un enerģiju taupoša iekārta ar pašiztvaikojošu dzesēšanas sistēmu.

24 stundu taimera funkcija, unikāla ieslēgšanas/izslēgšanas atgādinājuma mūzika.

3,5 minūšu aizkave, restartējot kompresora aizsardzību un citas daudzās aizsardzības funkcijas.

PROBLĒMA	CĒLONIS	RISINĀJUMS
Ierīce neieslēdzas, nospiežot ieslēgšanas/izslēgšanas pogu	Pilnas ūdens tvertnes indikators mirgo, un ūdens tvertne ir pilna.	Izteciniet ūdeni no tvertnes.
	Telpas temperatūra pārsniedz iestatīto temperatūru (elektriskās apsildes režīms).	Atiestatīt temperatūru
	Telpas temperatūra ir mazāka par iestatīto temperatūru. (Dzesēšanas režīms)	Atiestatīt temperatūru
Nav pietiekami vēss	Durvis vai logi nav aizvērti.	Pārlicinieties, vai visi logi un durvis ir aizvērti.
	Telpā ir siltuma avoti.	Ja iespējams, aizvēciet siltuma avotus.
	Gaisa izplūdes šjūtene nav savienota vai ir nosprostota.	Pievienojiet vai iztīriet gaisa izplūdes šjūteni.
	Temperatūras iestatījums ir pārāk liels.	Atiestatīt temperatūru
	Gaisa ieplūde ir bloķēta.	Iztīriet gaisa ieplūdi.
Liels troksnis	Pamats nav līdzens vai pietiekami gluds	Ja iespējams, novietojiet ierīci uz līdzenas un gludas pamatnes
	Ir dzirdama aukstumaģenta plūsma gaisa kondicionētāja iekšpusē	Tā ir normāla parādība.
Ja rodas problēmas ar sausinātāju, skatiet tālāk norādīto informāciju par problēmu novēršanu. Ja neviens no tālāk norādītajiem risinājumiem nenovērš problēmu, lūdz, sazinieties ar mazumtirgotāju par gaisa kondicionētāja apkopi.		

Kļūdu kodi	CĒLONIS	RISINĀJUMS
E1 kods	Īssavienojums temperatūras sensorā un shēmas platē	Sazinieties ar elektriķi, lai veiktu remontu
E2 kods	Īssavienojums temperatūras sensora vara caurulē un shēmas plates vadojumā	Sazinieties ar elektriķi, lai veiktu remontu
E4 kods	Norāda, ka ūdens tvertne ir pilna vai slikts kontakts ar kontaktdakšu	Lietotājam ir jāizvelk gumijas aizbāznis, kas atrodas ierīces apakšā, lai izlaistu ūdeni. Vai pārbaudiet, vai kontaktdakša cieši ieguļ rozetē

## Garantija

2 gadu lietotāja garantija pret ražošanas kļūmēm. Lūdzu, ņemiet vērā, ka garantija ir derīga, tikai uzrādot pirkuma čeku. Garantija ir spēkā tikai tad, ja ierīce tiek izmantota atbilstoši šajā rokasgrāmatā sniegtajiem norādījumiem un brīdinājumiem par drošību. Garantija neattiecas uz jebkādiem bojājumiem, kas radušies nepareizas rīcības dēļ ar ierīci.

**PIEZĪME.** 2 gadu garantija attiecas tikai uz lietošanu mājāsaimniecībā, nevis uz ierīces komerciālu izmantošanu.



### PIEZĪME.

Reģistrējieties vietnē [www.warranty-woods.com](http://www.warranty-woods.com) un izlasiet par to, kā saņemt paplašināto garantiju. Lai saņemtu papildu informāciju, apmeklējiet vietni [www.woods.se](http://www.woods.se).

**Ieteicamie lietošanas ierobežojumi**  
Dzesēšanai vispiemērotākā ekspluatācijas vides temperatūra ir 17–35 °C.  
Drošinātāja parametri: 5ET vai SMT, 3,15 A, 250 Vac.

TEHNISKIE DATI	Palermo 18K	Palermo 18K Duo A+	Palermo 22K
Dzesēšanas jauda	5,3 KW	5,3 KW	6,5 KW
Sildīšanas jauda		5,0 KW	
Enerģijas patēriņš dzesēšana/sildīšana	2,030 KW	1,7 KW/1,65KW	2,500 KW
Gaisa plūsma:	950 m <sup>3</sup> /h	950 m <sup>3</sup> /h	950 m <sup>3</sup> /h
Enerģijas klase	A	A+	A
Mitruma izvadišana	90 l/24 h	90 L/24 h	120 l/24 h
Temperatūras iestatījums	17-30 °C	17-30 °C	17-30 °C
Darba temperatūra dzesēšana/sildīšana	16-35 °C	16-35 °C / heating7-23°C	16-35 °C
EER dzesēšana/sildīšana	2,6	3,1/ 3,0	2,6
Aukstumaģenta gāze	R290/264g	R290/250g	R290/369g
Skaņas līmenis decibelos	65dB	65dB	65dB
Svars	51 kg/60 kg	51,5 kg/60,5 kg	52 kg/61 kg
Izmēri (mm), G x Dz x A	540 x 695 x 1140	540 x 695 x 1140	540 x 695 x 1140

\*Var tikt veiktas tehniskas izmaiņas un uzlabojumi. Visas vērtības ir aptuvenas un var atšķirties ārēju apstākļu, piemēram, temperatūras, ventilācijas un mitruma, dēļ.



**Piezīme: Vides aizsardzība un atkritumu apglabāšana**

- Patērētājiem ir juridisks pienākums elektroniskās ierīces, lampas un baterijas pēc to kalpošanas laika beigām nodot atkritumos atbilstoši noteikumiem.
- Tās var bez maksas nodot izmantošanai atbilstoši noteikumiem izveidotās publiskās savākšanas vietās vai izplatītājiem.
- Personas datu dzēšana ir patērētāja pienākums.
- Spuldzes un baterijas, kuras var droši izņemt un kuras nav pastāvīgi uzstādītas, ir jāšķiro atkritumos atbilstoši noteikumiem.
- Sīkāka informācija par likumīgu apglabāšanu ir noteikta reģionālajos tiesību aktos.
- Pārkrustīta atkritumu tvertnes simbols norāda, ka elektroniskās ierīces un baterijas pēc to kalpošanas laika beigām nekad nedrīkst izmest kopā ar sadzīves atkritumiem.
- Simboli zem atkritumu tvertnes norāda uz iespējamu noteiktu vielu klātbūtni (svins = Pb, dzīvsudrabs = Hg, kadmijijs = Cd).
- Šāda šķirošana ir nepieciešama, jo baterijas un elektroniskās ierīces satur gan vērtīgus resursus, gan vielas, kas ir kaitīgas cilvēkiem un videi.
- Pārstrādājot, savācot un atkārtoti izmantojot baterijas un piemērotas elektroniskās ierīces, jūs veicināt vides un cilvēku veselības saglabāšanu un aizsardzību.

## WOOD'S TAGAB PUHTA JA TERVISLIKU SISEÕHU

Wood'si brändi löi üle 65 aasta tagasi perekond Wood Kanada linnas Guelphis, Ontarios. Siin alustas Wood's 1950. aastal õhukuiivate arendamist ja tootmist. Sellest ajast peale on Wood's aidanud mitmesajal tuhandel majapidamisel ennetada hallitusest ja niiskusest tingitud kahjustusi ja hingata puhtamat õhku. Meie portatiivsed õhukonditsioneerid sobivad kasutamiseks enamikes kliimades, kus nende võimsus on piisav isegi erinevatel temperatuuridel ja niiskustasemetel. Need toimivad tõhusalt ruumides, kus temperatuur võib tõusta kõrgeks, nagu näiteks elutoad, kontorid või magamistoad. Õhukonditsioneerid eemaldatava kuuma õhu kogus sõltub ruumi temperatuurist, niiskustasemest ja seadme asukohast. Ka välised ilmastikutingimused võivad õhukonditsioneerid töö kvaliteeti mõjutada.

Wood'si õhukonditsioneerid töötavad ohutult ja on ette nähtud pikaajaseks püsivaks kasutuseks.

## KUIDAS ÕHUKONDISIONEER TÖÖTAB?

Madalrõhk tagab külma õhu Õhukonditsioneerid põhielement on jahutusvedelik, mis madalrõhu all muundatakse gaasiks. Protsessi käigus „tekib külm“, mis edastatakse ruumi sisse, hoides samas sooja õhu väljaspool. Jahutusvedelik läbib paisumisventiili ja suundub torru, kus rõhk on madal. Jahutusvedelik aurustub ja muutub gaasiks. Protsessi käigus imatakse ümbritsevast keskkonnast soojust ja toru jahutatakse. Ventilator puhub külma õhu tuppa. Gaas läbib kompressori, mis suurendab rõhku ja muundab gaasi vedelikuks. Selle protsessi käigus vabaneb soojust, mis juhitakse vastasküljel asuvate torudeni ja mille ventilator välja puhub. Termostaat seiskab seadme, kui siseõhk on piisavalt külm.

## 1. TURVAHOIATUSED



Tuleohtlik materjal. See seade sisaldab R290/propaani, tuleohtlikku külmaainet.



Sellest kasutusjuhendist leiate ohutusala teavet.



Lugege tehnilist juhendit.



Lugege kasutusjuhendit.

### OHUTUSALANE TEAVE

Enne seadme paigaldamist ja kasutamist lugege komplektis olev juhend hoolikalt läbi. Tootja ei ole vastutav, kui vale paigaldus ja kasutus toob kaasa kehavigastusi ning kahjusid. Hoidke kasutusjuhend tulevikus kasutamiseks alati seadme juures.

### Laste ja haavatavate isikute ohutus



#### HOIATUS

Kehavigastuste või püsiva tervisekahjustuse oht. Antud seadet võivad kasutada 8-aastased ja vanemad lapsed ning vähenenud füüsiliste, sensoorsete või vaimsete võimetega isikud või vastavate kogemusteta ja teadmisteta isikud, kui nad teevad seda järelevalve all või neile on õpetatud seadme ohutut kasutamist ning nad mõistavad seonduvaid ohtusid.

Ärge laske lastel seadmega mängida.

Alla 3-aastaseid lapsi ei tohi lubada seadme juurde, välja arvatud pideva järelevalve korral. Hoidke pakendi kõiki detaile lastele kättesaamatult.

Lapsed ei tohi ilma järelevalveta seadet puhastada ja hooldada.

### Üldine ohutus

See seade on mõeldud kasutamiseks majapidamistes ja samalaadsetes kasutuskohtades, näiteks: peretuba, elutuba, töötajate köögi-ala kauplustes, kontorites ja muudes töokeskkondades. Andmeplaat paikneb õhukonditsioneerid taga või küljel.

Vältige ventilatsiooniavade blokeerimist.

Ärge kasutage sulatuse kiirendamiseks mehaanilisi võtteid või muid meetodeid, mis pole tootja poolt soovitatud. Seadet ei tohi hoiustada ruumis, kus on aktiivsed süttimisallikad (nt lahtine tuli, töötav gaasiseade või töötav elektriline küttekeha). Ärge torgake läbi ega põletage. Võtke arvesse, et külmutusagensid võivad olla lõhnutud. Ärge piserdage seadet puhastamiseks veega ega kasutage auru. Puhastage seadet niiske lapiga. Kasutage ainult neutraalseid pesuvahendeid. Ärge kasutage abrasiivseid tooteid, abrasiivseid puhastuslappe, lahusteid ega metallesemeid. Kui elektritoitejuhe on kahjustatud, peab õhu vältimiseks vahetama selle tootja, tootja volitatud

teeninduskeskus või sarnase kvalifikatsiooniga isikud.

## OHUTUSALASED JUHISED

### Paigaldus HOIATUS



Antud seadet võib paigaldada ainult kvalifitseeritud isik. Eemaldage pakendi kõik detailid. Ärge paigaldage ega kasutage kahjustatud seadet. Seade tuleb paigaldada ja seda kasutada ning hoiustada ruumis, mille pindala on suurem kui 13 m<sup>2</sup> (AC Palermo 18K) / 25 m<sup>2</sup> (AC Palermo 22K). Järgige seadmega komplektis olevat paigaldusjuhendit. Olge seadme liigutamisel alati ettevaatlik, kuna see on raske. Kandke alati kaitsekindaid. Võtke arvesse, et külmutusagensid võivad olla lõhnatud.

Kindlustage, et õhk pääseks seadme ümber liikuma. Oodake enne seadme elektritoitega ühendamist vähemalt 4 tundi. See võimaldab õil tagasi kompressorisse voolata. Ärge paigaldage seadet radiaatorite või muude küttekehade lähedusse. Ärge paigaldage seadet otsese päikesevalguse kätte.

### Elektriühendus

#### HOIATUS



Tulekahju- ja elektrilöögioht. Seade tuleb ühendada maandusega pistikupesassa. Veenduge, et elektritoide vastaks andmeplaadil toodud elektriantmetele. Kui mitte, võtke ühendust elektrikuga.

Kasutage alati õigesti paigaldatud elektrilöögikindlat pistikupesat. Ärge kasutage jaoturaptereid ja pikendusjuhtmeid.

Kindlustage, et te ei kahjustaks elektrilisi komponente (nt elektritoitepistik, elektritoitekaabel). Elektriliste komponentede vahetamiseks võtke ühendust volitatud teeninduskeskuse või elektrikuga. Elektritoitejuhe peab jääma elektritoitepistikust madalamale. Ühendage elektritoitepistik pistikupesassa alles paigalduse lõpus. Kindlustage, et pärast paigaldamist oleks võimalik elektritoitepistikule ligi pääseda.

Ärge tõmmake seadme vooluvõrgust lahti ühendamiseks elektritoitekaablist. Tõmmake alati elektritoitepistikust. See seade vajab kompressori tööks vähemalt 25 A elektritoidet. Majapidamise elektriploki väljalülitumise vältimiseks ärge kasutage selle seadme jaoks pikendusjuhet.

### Kasutus

#### HOIATUS



Kehavigastuste, põletuste, elektrilöögi- või tulekahjuoht. Ärge muutke seadme tehnilisi omadusi. Olge ettevaatlik, et mitte kahjustada külmutusagensi torustikku. See sisaldab propaani (R290), looduslikku gaasi, millele rakenduvad ranged keskkonnanõuded. See gaas on kergestisüttiv. Kui külmutusagensi torustik saab vigastada, kindlustage, et ruumis ei oleks lahtist tuld ega süüteallikaid.

Õhutage ruumi.

Ärge pange seadme lähedale ega selle peale kergesti süttivaid tooteid ega esemeid, mis on kergesti süttivate vedelikega koos. Käituge seadet temperatuuril kuni 35 kraadi.

Puhastage õhufiltrit perioodiliselt, et nautida kõige tõhusamat jahutust. Kui seade on välja lülitatud, oodake vähemalt 3,5 minutit enne selle taaskäivitamist, et vältida kompressori kahjustumist. Seadme sisselülitamisel hakkab ventilaator tööle, kuid kompressor käivitub pärast jahutusalarmi vilkumist kolme minuti jooksul. Konditsioneer saab ühendada ainult sellise toiteallikaga, mille süsteemiimpedants on mitte rohkem kui 0,219 Ω. Vajadusel pidage süsteemiimpedantsi teabe saamiseks nõu oma edasimüüjaga.

### Kasutuselt kõrvaldamine

#### HOIATUS



Kehavigastuste oht. Ühendage seade vooluvõrgust lahti. Eemaldage elektritoitekaabel ja kõrvaldage see kasutuselt. Antud seadme külmutusagensisüsteem on osoonisõbralik. Võtke ühendust vastava kohaliku asutusega, et saada teavet selle kohta, kuidas seade nõuetekohaselt kasutuselt kõrvaldada. Ärge kahjustage jahutusseadme osa, mis paikneb soojusvaheti lähedal.

## ÕHUKONDISIONEERI VALMISPANEK PAIGALDUSEKS

### Üksuste transport, märgistamine ja hoiundamine

1. Tulehtlike ja külmutusagensit sisaldavate seadmete vedu Vastavus veoeskirjadele
2. Seadmete märgistamine märkide abil Vastavus kohalikele eeskirjadele
3. Tulehtlike ja külmutusagensit kasutavate seadmete kasutusest kõrvaldamine Vastavus siseriiklikele eeskirjadele
4. Seadmete/tehnikaseadmete hoidmine Seadmete hoidmine peab toimuma vastavalt tootja juhistele.
5. Pakendatud (müümata) seadmete hoiundamine Hoiundamise kaitsepakend peab olema konstrueeritud nii, et pakendi sees olevate seadmete mehaaniline kahjustus ei põhjustaks külmutusagensi leket. Koos hoiundatavate seadmete maksimaalne arv määratakse kindlaks kohalike eeskirjadega.
6. Seadet tuleb hoida nii, et vältida mehaaniliste kahjustuste tekkimist.
7. Üldine tööpiirkond Kõik kohalikus piirkonnas töötavad hooldustöötajad ja teised töötajad peavad saama juhised töö iseloomu kohta. Vältida tuleb tööd kinnistes ruumides. Tööruumi ümbritsev ala tuleb sektsioonida. Tagage, et piirkonna tingimused oleksid tuleohtliku materjali haldamiseks ohutud.

### 2. Paigaldus

#### Tahtis

1. Õhukonditsioneer võib mugavalt siseruumides ringi

liigutada; hoidke seadet selle teisaldamise ajal püstises asendis. Õhukonditsioneer tuleb asetada tasasele pinnale.

Ärge paigaldage ega kasutage seda õhukonditsioneerit vannitoas või mõnes muus märjas keskkonnas.

Kuna portatiivne õhukonditsioneer liigub ratastel, on lihtne selle asukohta muuta. Kui ruum muutub kuumaks, viite lihtsalt oma portatiivse õhukonditsioneerit sinna ja saate kiiresti alustada ruumi jahutamist. Õhukonditsioneerit tuleb

käituda suletud ruumis, et selle toime oleks kõige tõhusam.

Sulgege kõik uksed, aknad ja muud ruumi viivad välisavad. Õhukonditsioneerit töhusus sõltub temperatuurist ja niiskustasemest.

2. Asetage õhukonditsioneer kohta, kus õhuvool läbi seadme esiosa ei ole takistatud.

3. Ruumis töötav õhukonditsioneer mõjutab vähe või ei mõjuta üldse õhu kuivatamist

külgnevas suletud hoiuruumis nagu näiteks kapp, välja arvatud juhul, kui on piisav õhuringlus hoiuruumi sisse ja sealt välja. Portatiivne õhukonditsioneer suunab kuumuse seadmest välja

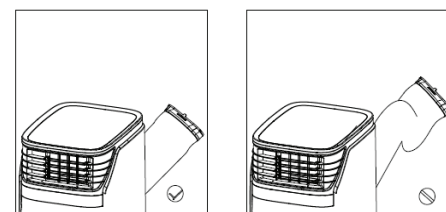
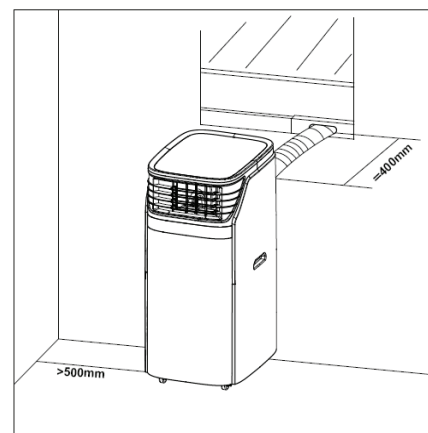
ventilatsioonitoru kaudu läbi akna või väljalaskeklapi.

4. Pikendage väljalaskevoolikut kuni 400 mm võrra. Väljalaskevoolik peab olema paralleelne ning seda ei tohi üles ega alla painutada.

5. Õhukonditsioneerit ja lähima objekti vahel peab olema vähemalt 50 cm

vahemaa. Vt pilti.

6. Kui seade hakkab sulatama, kuvatakse LED-seadmehel sümbol „DF“



## TOOTEKIRJELDUS

### 3. Toote kirjeldus

#### A

1. Väljalaskevoolik
2. Aknaliitmik valikuline (ei kuulu komplekti) Aknakomplekt
3. Tüübel
4. Patareid
5. Kaugjuhtimispuul
6. Jaheda õhu väljalaskeava pistik (valikuline)

#### B

1. Toote pildid

#### C

1. Jaheda õhu väljalaskeava
2. Juhtpaneel
3. Ümmargune adapter (lõpp)
4. Väljalaskevoolik
5. Parema külje käepide
6. Kuuma õhu väljalaskeava
7. Ülemine äravooluauk
8. Jaheda õhu sisselaskevõre
9. Vasaku poole käepide
10. Kuuma õhu sisselaskevõre
11. Alumine äravooluauk

#### D

1. Toote tagakülje pildid

#### E

1. Toote ülakülje pilt

#### F

1. TOITENUPP
2. FUNKTSIOON
3. TEMPERATUURI REGULEERIMISE KLAHV (ÜLES)
4. TEMPERATUURI REGULEERIMISE KLAHV (ALLA)
5. L.E.D. KUVA
6. KIIRUS
7. PROGRAMMEERITAV TAIMER
8. UNNEJÄÄMISE JUHTIMISE FUNKTSIOON
9. KIIKUMINE

#### G

1. Pilt õhuvõre eemaldamisest

#### H

1. Filtrisõela puhastuse skemaatiline joonis

#### I

1. POWER—Sisse-/väljalülitus
2. FUNC—Funktsiooni „MODE“ (Režiim) valija
3. TIMER—Tunniprogrammeerimine
4. AUTO—Automaatne ventilaatori kiirus
5. HI—Kiire ventilaatori kiirus
6. MID—Keskmine ventilaatori kiirus
7. LOW—Aeglane ventilaatori kiirus
8. SLEEP—Uneoperatsiooni valija
9. TEMP.—Temperatuurivalija
10. SWING—Kiikumine

#### J

1. Kaugjuhtimispuuldi elektromagne-tiline seade. Kasutage ainult 2xAAA 1,5V patareid.

#### K

1. Keerake väljalaskevoolik vooliku liitmikusse

#### L

1. Sissejuhatus väljatõmbetoru paigaldamisse

#### M

1. Aknaliuguri komplekti paigaldamine

#### N

1. Sisestage aknakomplekti tüübel

#### O

1. Pilt vee väljalaskeavast

## TÖÖREŽIIMIDE FUNKTSIOONID JA PAIGALDUSKIRJELDUSED

### A. Tarvikud

Pärast lahtipakkimist kontrollige, kas ülaltoodud tarvikud on lisatud, ja kontrollige nende eesmärke käesoleva juhendi paigalduse sissejuhatuses. Jaheda õhu väljalaskeava pistik on valikuline.

### B. Mobiilne konditsioneer

J. Kaugjuhtimispuldi välimus ja funktsioon. Märkused. -Ärge kukutage kaugjuhtimispulti.- Ärge asetage kaugjuhtimispulti otsese päikesevalguse kätte.

### M. Operatsiooni tutvustus

Enne selles jaotises toimingute alustamist:

- 1) Leidke koht, kus on elektritoide lähedal.
- 2) Paigaldage väljalaskevoolik ja reguleerige akna asendit hästi.
- 3) Ühendage äravooluvoolik korralikult (ainult küttega mudeli kasutamisel);
- 4) Sisestage toitejuhe maandatud AC220~240V/50Hz pistikupessa;
- 5) Konditsioneer sisselülitamiseks vajutage nuppu POWER (Toide).

### K. ja L. Sissejuhatus väljalaskevooliku paigaldamine

#### A) Ajutine paigaldamine

1. Keerake väljalaskevoolik vooliku liitmikuja õhukonditsioneeriga tagaosa väljundi külge
2. Pange väljalaskevooliku teine ots aknalauale.

#### N. Akna liugurkomplekti paigaldamine

Akna liugurkomplekti paigaldamise viis on enamasti "horisontaalne" ja "vertikaalne". Nagu näidatud joonistel 5 ja 5a, kontrollige enne paigaldamist akna min. ja maks. suurust.

1. Paigaldage aknakomplekt aknale;
2. Reguleerige akna liugurkomplekti pikkust vastavalt akna laiusele või kõrgusele ja kinnitage see kinnititega;
3. Sisestage akna konnektori voolik aknakomplekti avasse.

O. Siseveepaagi täitumise häirefunktsioon  
Konditsioneer siseveepaagil on üks veetaseme ohutuse lüliti, mis kontrollib veetaset. Kui veetase saavutab eeldatava

kõrguse, süttib täitumise märgutuli. (kui paak on vett täis, eemaldage kummikork seadme allosas ja laske kogu vesi välja.)

H. Hoolduse selgituste deklaratsioon:

***On väga oluline, et filtrit puhas-tataks regulaarselt; vastasel juhul võib õhukonditsioneer võimsus väheneda ja seade isegi tõsiselt kahjustuda.***

- 1) Enne puhastamist ühendage seade kindlasti lahti igast elektritoitepistikust;
- 2) Ärge kasutage seadme puhastamiseks bensiini ega muid kemikaale;
- 3) Ärge peske seadet otse;
- 4) Kui konditsioneer on vigastatud, võtke ühendust edasimüüja või remonditöökojaga.

#### 1. Õhufilter

-Kui õhufilter ummistub tolmu/mustusega, tuleb õhufiltrit puhastada üks kord iga kahe nädala järel.

-Demonteerimine

Avage õhu sisselaskevõre ja startige õhufilter.

-Puhastamine

Puhastage õhufilter leiges neutraalse pesuainega vees ( 40 °C ) ja kuivatage see varjulises kohas.

-Paigaldamine

Õhufiltrit asetamisel sisselaskevõresse asendage komponendid vastavalt varasemale paigutusele.

2. Puhastage konditsioneer pinda neutraalse pesuaine ja märja lapiga ning seejärel pühkige see kuiva lapiga üle.

#### E. Enne kasutamist

Kontrollige, kas väljalaskevoolik on õigesti paigaldatud. Hoiatused jahutamiseks ja niiskuse eemaldamiseks: Jahutus- ja niiskuseeemaldusfunktsioonide kasutamisel jätke iga sisselülitamise (nupp POWER) vahele vähemalt 3 minutit.

-Toide vastab nõuetele.

-Pistikupesa on vahelduvvooluga kasutamiseks.

-Ärge jagage ühte pistikupesa teiste seadmetega.

-Elektritoide

AC 220-240 V, 50 Hz

Kui see on lahti ühendatud: kõik klahvid ja märgutuled ei ole nähtavad. Kui see on ühendatud: toitenupu ja ajastusnupu märgutuli on töötamisel poole peal.

### 1. TOITENUPP

Vajutage , et lülitada seade „ON“ (Sisse) või „OFF“ (Välja)

### 2. FUNKTSIOON

Vajutage seda klahvi, et valida jahutamine, õhukuivati või ventilaator.

### 3. TEMPERATUURI REGULEERIMISE KLAHV (ÜLES)

Jahutamiskeskuse ajal: See klahv suurendab eelseadistatud temperatuuri 1 °C võrra iga kord, kui seda vajutatakse, ja maksimaalne temperatuur on 30 °C. Soojendusfunktsiooni ajal (ainult Duo mudel) suurendab see nupp iga kord, kui seda vajutatakse, ajastusperioodi ühe tunni võrra koos tsükli pikendamisega. Ajastuse funktsiooni ajal: Ajastuse aja suurendamine. See klahv pikendab aega 1 tunni võrra iga kord, kui seda vajutatakse, ja tsükkel pikeneb

### 4. TEMPERATUURI REGULEERIMISE KLAHV (ALLA)

Jahutamiskeskuse ajal: See klahv langetab eelseadistatud temperatuuri 1 °C võrra iga kord, kui seda vajutatakse ja alampiir on 17 °C. Küttesfunktsiooni ajal (ainult mudel Duo) tõstab see nupp eelseadistatud temperatuuri iga vajutusega 1 °C võrra, kusjuures maksimaalne piir on 30 °C. Ajastuse funktsiooni ajal: Ajastuse aja vähendamine. See klahv vähendab aega 1 tunni võrra iga kord, kui seda vajutatakse ja tsükkel lüheneb.

### 5. L.E.D. KUVA

Kuval näidatakse praegust temperatuuri- või taimerisätet. Kui sätestatud temperatuuri või taimerit reguleeritakse, kuvatakse uus säte, mille järel naaseb

## TÖÖREŽIIMIDE FUNKTSIOONID JA PAIGALDUSKIRJELDUSED

kuva praeguse määratud temperatuuri näitamisele.

※ Ekraani kasutatakse ka veakoodide kuvamiseks, kui esineb viga, vt TÕRKEKOODID.

### 6. KIIRUS

Jahutus: Vajutage , et valida kas LOW (Aeglane), MEDIUM (Keskmine), HIGH (Kiire) või AUTO (Automaatne) ventilaatori kiirus. Kui valitud on „AUTO“ (Automaatne), valitakse automaatselt „HIGH“ (Kiire), „MEDIUM“ (Keskmine) või „LOW“ (Aeglane), vastavalt seadistustemperatuuri ja ümbritseva õhu temperatuuri vahele. Ümbritsev temperatuur - Temperatuuri seadistamine >4°C : Masina ventilaatori kiirus on suur.

2°C ≤ Ümbritsev temperatuur - Temperatuuri seadistamine ≤ 4°C : Masina ventilaatori kiirus on keskmine.

0°C ≤ Ümbritsev temperatuur - Temperatuuri seadistamine ≤ 2°C : Masina ventilaatori kiirus on väike.

Ventilaator: Vajutage , et valida kas LOW (Aeglane), MEDIUM (Keskmine), HIGH (Kiire) või AUTO ventilaatori kiirus.

\* Pange tähele, et automaatset tuule kiirust saab seadistada ainult kütte- (ainult Duo mudel) ja jahutusrežiimil.

Märkus. niiskuse eemaldamise funktsioonil on see klahv inaktiivne, kuna seade on määratletud töötama väikese kiirusega niiskuse eemaldamise režiimis.

### 7. PROGRAMMEERITAV TAIMER

Programmeeritava taimeri sisse-/väljalülitusklahv. SISSELÜLITAMISE TAIMER: Sisselülitamise taimeri abil lülitatakse seade automaatselt sisse pärast määratud aja möödumist.

- 1) Soovitud aja määramiseks vajutage ooteolekus klahvi „TIMER“ (Taimer).
- 2) Kui määratud tund on lõppenud, lülitub seade automaatselt sisse.
- 3) Vajutage klahvi „POWER“ (Toide) enne ajalõppu, sätestatud aeg tühistatakse ja seade lülitub sisse.
- 4) Taimeri seadistamise ajal saate

määrata funktsiooni ja ventilaatori kiiruse. VÄLJALÜLITAMISE TAIMER:

Väljalülituse taimerit kasutatakse seadme automaatseks väljalülitamiseks pärast seadistustaja möödumist.

- 1) Soovitud aja määramiseks vajutage töötamisolekus klahvi „TIMER“ (Taimer).
- 2) Kui määratud tund on lõppenud, lülitub seade automaatselt välja.
- 3) Vajutage klahvi „POWER“ (Toide) enne ajalõppu, sätestatud aeg tühistatakse ja seade lülitub välja.

### 8. UNNEJÄÄMISE JUHTIMISE FUNKTSIOON

1) Vajutage jahutusrežiimis nuppu „SLEEP“ (Uni), et määrata temperatuur. See suurendab temperatuuri 1° võrra ühe tunni pärast ja kõige rohkem tõuseb temperatuur 2° võrra 2 tunni pärast.

2) Vajutage uuesti klahvi SLEEP (Uni), et säte tühistada.

### 9. KIIKUMINE

Vajutage seda klahvi, et kiigutada õhuväljalaske labasid, ja see peatub, kui seda klahvi uuesti vajutatakse.

### ALARM (Alarm)

Kui veepaak on täis, kuvatakse ekraanil „E4“. Töö jätkamiseks eemaldage kõigepealt äravooluvooliku kummikork, et vesi välja voolaks. Hoiatus E4 kaob pärast tühendamist ja seejärel saate seadme taaskäivitada, vajutades toitenuppu.

### Hooldus

Puhastage seadet pehme niiske lapiga. Ärge kasutage lahusteid ega tugevaid puhastusvahendeid, sest see võib kahjustada seadme pinda.

### Teenus

Kui konditsioneer vajab hooldust, peate esmalt pöörduma kohaliku edasimüüja poole. Ostutõend on nõutav kõigi garantiinõuete puhul.

### Säilitamisjuhised

Hoiundamine hooaja lõpus

- 1) Keerake äravoolukate ära ja tõmmake

kork välja, et kondensaatveest täielikult tühendada.

2) Hoidke seade töötavana ventilaatori režiimis pool päeva, et kuivatada seade seestpoolt täielikult ja vältida hallituse teket.

3) Lülitage seade välja, tõmmake pistik välja, seejärel mähkige toitejuhe ümber juhtme kerimise tugiposti, sisestage pistik seadme tagapaneeli universaalsesse kinnitusavasse, paigaldage veekork ja äravoolukate.

4) Eemaldage soojuse väljalaskevooliku komplekt, puhastage see ja hoidke seda korralikult.

5) Pakkige konditsioneer korralikult pehmesse kilekotti ja asetage see kuiva kohta sobivatesse tolmuvabadesse tingimustesse ning hoidke seadet lastele kättesaamatus kohas.

6) Võtke kaugjuhtimispuldil patareid välja ja hoidke seda korralikult.

Märkus.

Veenduge, et seadet hoitakse kuivas kohas. Kõik seadme tarvikud peavad olema

korralikult kooshoituna kaitstud

Toitejuhtme hoidik ja universaalne pistikupesad võivad toitejuhet hästi kaitsta. Intelligentne, keskkonnasõbralik ja energia säästmine iseaüstava jahutussüsteemiga.

24-tunnine taimerifunktsioon, unikaalne on / off meeldetuletusmuusika.

3,5-minutilise viivitusega taaskäivitus, mis kaitseb kompressorit ja teised mitmesugused kaitsefunktsioonid.

Probleem	PÕHJUS	KUIDAS PARANDADA?
Seade ei käivitu.	Toitevoolu rike. Veepaak on täis ja selle ikoon põleb. Ümbritseva õhu temperatuur liiga madal või kõrge. Toatemperatuur on madalam kui seadistatud temperatuur jahutusrežiimil või kõrgem kui seadistatud temperatuur kütterežiimil.	Ühendage seade toimivasse pistikupessa ja lülitage sisse. Tühjendage seadmesse kogunenud vesi. Seda seadet on soovitatav kasutada vahemikus 8–35 °C. Muutke temperatuuriseadistust.
Halb jahutustulemus.	Otsese päikesevalguse olemasolu. Uksed ja aknad on avatud, ruumis on palju inimesi või teisi soojusallikaid. Määrduvad filter. Õhu sissetõmbe- või väljapuhkeava on ummistunud.	Tõmmake aknakardin ette. Sulgege uks ja aken, eemaldage muud soojusallikad. Puhastage või asendage filtrivõrk. Eemaldage ummistus.
Vali müratase.	Seade on asetatud ebahühtlasele pinnale.	Asetage seade tasasele ja kindlale pinnale (see võib müra vähendada).
Kompressor ei tööta.	Ülekuumenemiskaitse käivitamine.	Oodake, kuni temperatuur alaneb, seade käivitub automaatselt uuesti.
Kaugjuhtimispuult ei tööta.	Liiga pikk vahemaa. Kaugjuhtimispuult ei ole suunatud seadme signaali vastuvõtjale. Patareid on tühjad.	Viige kaugjuhtimispuult õhukonditsioneerile lähedale ja veenduge, et see on suunatud signaali vastuvõtjale. Vahetage patareid.
<p>Kui teil tekib õhukuijati kasutamisel probleeme, lugege järgmist veaotsingu peatükki. Kui ükski allpool toodud juhisteist ei tööta, pöörduge toote parandamiseks jaemüüja poole.</p>		

Veakoodid	PÕHJUS	KUIDAS PARANDADA?
E1 kood	Elektrilühis nii temperatuurianduril kui ka PCB-I	Võtke ühendust elektrikuga
E2 kood	Elektrilühis temperatuurianduri vasktorus ja PCB juhtmestik	Võtke ühendust elektrikuga
E4 kood	Näita, et veepaak on täis või esineb halb kontakt toitepistikuga	Kasutaja peab välja tõmbama kummist korgi, mis asub seadme allosas, et vesi ära voolaks. Või kontrollige, kas toitepistik sobitub hästi

## Garantiid

2-aastane tarbijagarantii tootmisvigade korral. Pange tähele, et garantii kehtib ainult kviitungi esitamisel. Garantii kehtib ainult juhul, kui toodet kasutatakse käesolevas juhendis esitatud juhiste ja turvahoiatuste kohaselt. Garantii ei kata kahjustusi, mis on põhjustatud toote väärast käitlemisest.

**TÄHELEPANU!** 2-aastane garantii kehtib ainult tarbijate puhul, mitte seadme kaubanduslikul eesmärgil kasutamise korral.



### TÄHELEPANU!

Registreeruge aadressil [www.warranty-woods.com](http://www.warranty-woods.com) ja lugege, kuidas saada pikendatud garantiid. Rohkem teavet leiate kodulehelt [www.woods.se](http://www.woods.se).

### Soovituslikud tingimused kasutamiseks

Parim töökeskkonna temperatuur jahutamiseks on 17-35 °C. Kaitsme parameeter: 5ET või SMT, 3,15 A, 250 Vac.

TEHNILISED ANDMED	Palermo 18K	Palermo 18K Duo A+	Palermo 22K
Jahutusvõimsus	5,3 KW	5,3 KW	6,5 KW
küttevõimsus		5,0 KW	
Energiatarve jahutus/kuumenemine	2,030 KW	1,7 KW/1,65KW	2,500 KW
Õhuvool:	950 m <sup>3</sup> /h	950 m <sup>3</sup> /h	950 m <sup>3</sup> /h
Energiaklass	A	A+	A
Õhu kuivatamine	90 L/24 h	90 L/24 h	120 L/24 h
Temperatuuriseaded	17-30 °C	17-30 °C	17-30 °C
Töotemperatuur jahutus/kuumenemine	16-35 °C	16-35 °C /heating7-23°C	16-35 °C
Energiatõhusustegur (EER) jahutus/kuumenemine	2,6	3,1/ 3,0	2,6
Külmaaine	R290/264g	R290/250g	R290/369g
Müratase	65dB	65dB	65dB
Kaal	51 kg/60 kg	51,5 kg/60,5 kg	52 kg/61 kg
Mõõtmed (mm), P x L x K	540 x 695 x 1140	540 x 695 x 1140	540 x 695 x 1140

\* Tootja võib teha tehnilisi muudatusi ja täiustusi. Kõik väärtused on ligikaudsed ning võivad varieeruda olenevalt välistest teguritest, nagu temperatuur, ventilatsioon ja niiskus.



#### Märkus: keskkonnakaitse ja kõrvaldamine

- Tarbijatel on seaduslik kohustus nõuetekohaselt kõrvaldada elektroonikaseadmed, lambid ja patareid nende kasutusea lõppedes.
- Neid saab tasuta tagastada avalikesse kogumispunktidesse või edasimüüjatele.
- Isikuandmete kustutamise eest vastutab tarbija.
- Valgustikud ja patareid, mida saab ohutult eemaldada ja mis ei ole püsivalt paigaldatud, tuleb eelnevalt eemaldada eraldi kõrvaldamiseks.
- Riiklikud õigusaktid reguleerivad seadusekohase kõrvaldamise üksikasju.
- Lääbikriipsutatud prügikastiga märgistus tähistab elektroonikaseadmeid ja akusid, mida ei tohi nende kasutusea lõppedes kõrvaldada koos olmejäätmetega.
- Prügikasti all olevad sümbolid võivad viidata sisalduvatele koostisosadele (plii = Pb, elavhõbe = Hg, kaadmium = Cd).
- Selline eraldamine on vajalik, sest akud ja elektroonikaseadmed on mõlemad väärtuslikud ressursid ja sisaldavad inimestele ja keskkonnale kahjulikke aineid.
- Sobivate patareide ja elektroonikaseadmete ringlussevõtmise, kogumise ja taaskasutamise kaudu aitate säilitada ja kaitsta keskkonda ja inimeste tervist.

## ΠΡΟΪΟΝΤΑ WOOD'S ΓΙΑ ΚΑΘΑΡΟ ΚΑΙ ΥΓΙΕΙΝΟ ΑΕΡΑ ΕΣΩΤΕΡΙΚΩΝ ΧΩΡΩΝ

Η μάρκα Wood's γεννήθηκε με την οικογένεια Wood's πάνω από 65 χρόνια πριν στην Καναδική πόλη Guelph του Οντάριο. Στην πόλη αυτή οι Wood's ξεκίνησαν την εξέλιξη και την κατασκευή αφυγραντήρων το 1950. Έκτοτε η Wood's έχει βοηθήσει αρκετές εκατοντάδες χιλιάδες νοικοκυριά να αποτρέψουν προβλήματα λόγω μούχλας και υγρασίας και να αναπνεύσουν καθαρότερο αέρα. Τα φορητά μας κλιματιστικά είναι κατάλληλα για χρήση στα περισσότερα κλίματα, όπου η απόδοσή τους είναι καλή ακόμη και σε διαφορετικές θερμοκρασίες και επίπεδα υγρασίας. Χρησιμοποιούνται με καλά αποτελέσματα σε χώρους που αναπτύσσονται θερμοκρασίες όπως καθιστικά, γραφεία ή κρεβατοκάμαρες. Η ποσότητα του θερμού αέρα που αφαιρεί το κλιματιστικό εξαρτάται από τη θερμοκρασία, το επίπεδο της υγρασίας και την τοποθέτηση στο χώρο. Οι εξωτερικές καιρικές συνθήκες μπορεί επίσης να επηρεάσουν την απόδοση του κλιματιστικού.

Τα κλιματιστικά της Wood's προσφέρουν ασφαλή λειτουργία και προορίζονται για συνεχή χρήση για πολλά χρόνια.


### ΠΩΣ ΛΕΙΤΟΥΡΓΕΙ Η ΜΟΝΑΔΑ ΚΛΙΜΑΤΙΣΜΟΥ;

Η χαμηλή πίεση παράγει κρύο αέρα. Το κύριο στοιχείο του κλιματιστικού είναι ένα ψυκτικό μέσο, το οποίο υπό χαμηλή πίεση μετατρέπεται σε αέριο. Η διαδικασία «δημιουργεί κρύο», το οποίο μεταδίδεται προς τον εσωτερικό χώρο, κρατώντας τον ζεστό αέρα εκτός. Ένα υγρό ψυκτικό μέσο περνά μέσα από μια βαλβίδα διαστολής και οδηγείται σε ένα σωλήνα όπου η πίεση είναι χαμηλή. Το ψυκτικό μέσο εξατμίζεται και μετατρέπεται σε αέριο. Η διαδικασία απορροφά τη θερμότητα από το περιβάλλον και ο σωλήνας ψύχεται. Ένας ανεμιστήρας μεταφέρει τον κρύο αέρα στο χώρο. Το αέριο διέρχεται μέσω ενός συμπιεστή, που αυξάνει την πίεσή του και μετατρέπεται το αέριο σε υγρό. Σε αυτή τη διαδικασία, απελευθερώνεται θερμότητα, η οποία οδηγείται σε σωλήνες στην αντίθετη πλευρά και αποβάλλεται με τη βοήθεια ενός ανεμιστήρα. Ένας θερμοστάτης διακόπτει τη λειτουργία της μονάδας όταν ο αέρας του εσωτερικού χώρου είναι αρκετά κρύος.

## 1. ΠΡΟΕΙΔΟΠΟΙΗΣΕΙΣ ΑΣΦΑΛΕΙΑΣ



Εύφλεκτο υλικό. Αυτή η συσκευή περιέχει R290/προπάνιο, ένα εύφλεκτο ψυκτικό μέσο.

 Ανατρέξτε σε αυτό το εγχειρίδιο για πληροφορίες σχετικά με την ασφάλεια.

 Διαβάστε το τεχνικό εγχειρίδιο

 Διαβάστε το εγχειρίδιο χειριστών.

### ΠΛΗΡΟΦΟΡΙΕΣ ΓΙΑ ΤΗΝ ΑΣΦΑΛΕΙΑ

Πριν από την εγκατάσταση και τη χρήση της συσκευής, διαβάστε προσεκτικά τις παρεχόμενες οδηγίες. Ο κατασκευαστής δεν ευθύνεται σε περίπτωση πρόκλησης τραυματισμού και ζημιών λόγω εσφαλμένης εγκατάστασης και χρήσης. Φυλάσσετε πάντα τις οδηγίες μαζί με τη συσκευή για μελλοντική παραπομπή.

### Ασφάλεια για τα παιδιά και τα ευάλωτα άτομα

#### ΠΡΟΕΙΔΟΠΟΙΗΣΗ



Κίνδυνος τραυματισμού ή μόνιμης αναπηρίας.

Αυτή η συσκευή μπορεί να χρησιμοποιηθεί από παιδιά ηλικίας 8 ετών και άνω και άτομα με μειωμένη σωματική, αισθητηριακή ή διανοητική ικανότητα ή με έλλειψη εμπειρίας και γνώσης, υπό την επίβλεψη τρίτων ή εάν έχουν λάβει οδηγίες σχετικά με τη χρήση της συσκευής με ασφαλή τρόπο και έχουν κατανοήσει τους κινδύνους που σχετίζονται με τη χρήση της. Μην αφήνετε τα παιδιά να παίζουν με τη συσκευή.

Τα παιδιά ηλικίας κάτω των 3 ετών θα πρέπει να παραμένουν σε απόσταση, εκτός εάν εποπτεύονται συνεχώς. Κρατήστε όλες τις συσκευασίες μακριά από τα παιδιά. Ο καθαρισμός και η συντήρηση από το χρήστη δεν θα πρέπει να γίνεται από παιδιά χωρίς επίβλεψη.

### Γενικοί κανόνες για την ασφάλεια

Η συσκευή αυτή προορίζεται για χρήση σε οικιακές και παρόμοιες εφαρμογές, όπως: Οικογενειακά δωμάτια, σαλόνια, χώρους κουζίνας προσωπικού σε καταστήματα, γραφεία και άλλα περιβάλλοντα εργασίας. Η πινακίδα των τεχνικών χαρακτηριστικών βρίσκεται στο πίσω μέρος του κλιματιστικού. Διατηρήστε καθαρά τα ανοίγματα εξαερισμού και χωρίς παρεμπόδιση. Μην χρησιμοποιείτε μηχανικές συσκευές ή άλλα μέσα για να επιταχύνετε τη διαδικασία απόψυξης, εκτός από αυτά που συνιστώνται από τον κατασκευαστή. Η συσκευή δεν πρέπει να φυλάσσεται σε χώρους με πηγές ανάφλεξης σε λειτουργία (για παράδειγμα: ακάλυπτες φλόγες, συσκευές φυσικού αερίου σε λειτουργία ή ηλεκτρικές θερμάστρες σε λειτουργία. Μην τρυπήσετε ή κάψετε. Να γνωρίζετε ότι τα ψυκτικά μέσα μπορεί να μην γίνουν αντιληπτά μέσω της οσμής. Μην χρησιμοποιείτε ψεκαστήρες νερού και ατμού για τον καθαρισμό της συσκευής. Καθαρίστε τη συσκευή με ένα υγρό μαλακό πανί. Χρησιμοποιείτε μόνο ουδέτερα απορρυπαντικά. Μην χρησιμοποιείτε λειαντικά προϊόντα, λειαντικά σφουγγαράκια καθαρισμού, διαλύτες ή μεταλλικά αντικείμενα. Εάν το καλώδιο τροφοδοσίας είναι κατεστραμμένο, πρέπει να αντικατασταθεί από τον κατασκευαστή, το εξουσιοδοτημένο κέντρο σέρβις του ή άτομα με παρόμοια εξειδίκευση, προκειμένου να αποφευχθεί κάποιος κίνδυνος.

### ΟΔΗΓΙΕΣ ΑΣΦΑΛΕΙΑΣ

## Εγκατάσταση ΠΡΟΕΙΔΟΠΟΙΗΣΗ



Μόνο ένα ειδικευμένο άτομο πρέπει να εγκαταστήσει αυτή τη συσκευή. Αφαιρέστε όλες τις συσκευασίες. Μην εγκαθιστάτε ή μην χρησιμοποιείτε μια κατεστραμμένη συσκευή. Η συσκευή πρέπει να εγκαθίσταται, να λειτουργεί και να φυλάσσεται σε χώρους με εμβαδόν μεγαλύτερο από 13 m<sup>2</sup> (AC Palermo 18K) /25 m<sup>2</sup>(AC Palermo 22K). Τηρήστε τις οδηγίες εγκατάστασης που παρέχονται με τη συσκευή.

Να είστε πάντα προσεκτικοί όταν μετακινείτε τη συσκευή επειδή είναι βαριά. Πάντα να φοράτε γάντια ασφαλείας. Να γνωρίζετε ότι τα ψυκτικά μέσα μπορεί να μην γίνουν αντιληπτά μέσω της οσμής. Βεβαιωθείτε ότι ο αέρας μπορεί να κυκλοφορεί γύρω από τη συσκευή. Περιμένετε τουλάχιστον 4 ώρες πριν συνδέσετε τη συσκευή στην τροφοδοσία ρεύματος. Αυτό πρέπει να τηρηθεί ώστε να επιστρέψει το λάδι στον συμπιεστή.

Μην εγκαθιστάτε τη συσκευή κοντά σε θερμαντικά σώματα ή άλλες πηγές θερμότητας. Μην εγκαθιστάτε τη συσκευή εκεί όπου υπάρχει άμεσο ηλιακό φως.

## Ηλεκτρική σύνδεση



### ΠΡΟΕΙΔΟΠΟΙΗΣΗ

Κίνδυνος πυρκαγιάς και ηλεκτροπληξία. Η συσκευή πρέπει να συνδέεται σε μια γειωμένη πρίζα. Βεβαιωθείτε ότι τα ηλεκτρολογικά στοιχεία στην πινακίδα των τεχνικών χαρακτηριστικών ταιριάζουν με την τροφοδοσία ρεύματος. Αν όχι, επικοινωνήστε με έναν ηλεκτρολόγο. Να χρησιμοποιείτε πάντα μια σωστά εγκατεστημένη αντικραδασμική πρίζα. Μην χρησιμοποιείτε πολύμπριζα και καλώδια επέκτασης ή μπαλαντέζες. Φροντίστε να μην προκαλέσετε βλάβη στα ηλεκτρικά εξαρτήματα (π.χ. βύσμα τροφοδοσίας, καλώδιο τροφοδοσίας).

Επικοινωνήστε με το εξουσιοδοτημένο κέντρο σέρβις ή έναν ηλεκτρολόγο για να αλλάξετε τα ηλεκτρικά εξαρτήματα. Το καλώδιο τροφοδοσίας πρέπει να παραμείνει κάτω από το επίπεδο του βύσματος τροφοδοσίας.

Συνδέστε το βύσμα τροφοδοσίας στην πρίζα τροφοδοσίας μόνο στο τέλος της εγκατάστασης.

Βεβαιωθείτε ότι υπάρχει πρόσβαση στο βύσμα τροφοδοσίας μετά την εγκατάσταση.

Μην τραβάτε το καλώδιο τροφοδοσίας για να αποσυνδέσετε τη συσκευή. Να αποσυνδέετε τραβώντας πάντα από το βύσμα τροφοδοσίας.

Η παρούσα μονάδα απαιτεί ηλεκτρισμό τουλάχιστον 25 Αμπέρ για τη λειτουργία του συμπιεστή της. Για να αποφύγετε την αποσύνδεση του οικιακού ηλεκτρικού δικτύου από το ηλεκτρικό δίκτυο του παρόχου, μην χρησιμοποιείτε καλώδιο επέκτασης για αυτήν τη μονάδα.

## Χρήση



### ΠΡΟΕΙΔΟΠΟΙΗΣΗ

Κίνδυνος τραυματισμού, εγκαυμάτων, ηλεκτροπληξίας ή πυρκαγιάς. Μην αλλάζετε την προδιαγραφή αυτής της συσκευής.

Προσέξτε να μην προκαλέσετε βλάβη στο κύκλωμα του ψυκτικού μέσου. Περιέχει προπάνιο (R290), ένα φυσικό αέριο με υψηλό επίπεδο περιβαλλοντικής συμβατότητας. Το αέριο αυτό είναι εύφλεκτο.

Εάν προκληθεί ζημιά στο κύκλωμα του ψυκτικού μέσου, βεβαιωθείτε ότι δεν υπάρχουν φλόγες και άλλες πηγές ανάφλεξης στο χώρο. Αερίστε το χώρο. Μην τοποθετείτε εύφλεκτα προϊόντα ή αντικείμενα που έχουν βραχεί μαζί με εύφλεκτα προϊόντα, κοντά ή πάνω στη συσκευή.

Χειριστείτε αυτή τη μονάδα σε θερμοκρασία περιβάλλοντος 35 βαθμών Κελσίου ή χαμηλότερη. Καθαρίζετε κατά διαστήματα το

φίλτρο αέρα για να απολαμβάνετε πιο αποτελεσματική ψύξη.

Όταν η μονάδα απενεργοποιείται, περιμένετε τουλάχιστον 3,5 λεπτά πριν από την επανεκκίνηση για να αποτρέψετε την καταστροφή του συμπιεστή.

Κατά την ενεργοποίηση της μονάδας, ο ανεμιστήρας θα λειτουργήσει αλλά ο συμπιεστής θα ξεκινήσει αφού ο συναγερμός ψύξης αναβοσβήσει για τρία λεπτά.

Το κλιματιστικό μπορεί να συνδεθεί μόνο σε παροχή με σύνθετη αντίσταση συστήματος όχι μεγαλύτερη από 0,219Ω. Σε περίπτωση που είναι απαραίτητο, συμβουλευτείτε τον φορέα του δικτύου παροχής σας για πληροφορίες σχετικά με τη σύνθετη αντίσταση του συστήματος.

## Απόρριψη



### ΠΡΟΕΙΔΟΠΟΙΗΣΗ

Κίνδυνος τραυματισμού.

Αποσυνδέστε τη συσκευή από την τροφοδοσία ρεύματος.

Κόψτε το καλώδιο ρεύματος και απορρίψτε το.

Το κύκλωμα του ψυκτικού μέσου αυτής της συσκευής είναι φιλικό προς το όζον. Επικοινωνήστε με τη δημοτική αρχή για πληροφορίες σχετικά με τη σωστή απόρριψη της συσκευής.

Μην προκαλείτε βλάβη στο τμήμα της ψυκτικής μονάδας που βρίσκεται κοντά στον εναλλάκτη θερμότητας.

## ΡΥΘΜΙΣΗ ΤΟΥ ΚΛΙΜΑΤΙΣΤΙΚΟΥ ΓΙΑ ΕΓΚΑΤΑΣΤΑΣΗ

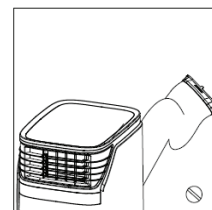
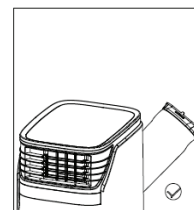
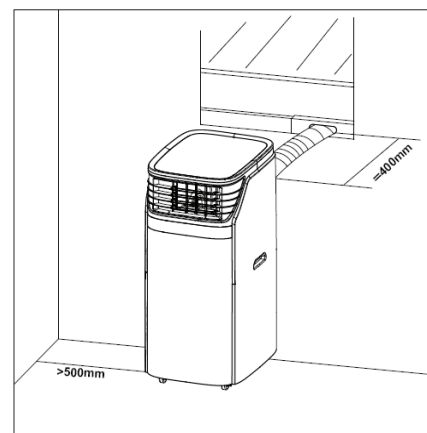
### Μεταφορά, σήμανση και αποθήκευση μονάδων

1. Μεταφορά εξοπλισμού που περιέχει εύφλεκτα ψυκτικά μέσα Συμμόρφωση με τους κανονισμούς μεταφοράς
2. Σήμανση εξοπλισμού με τη χρήση πινακίδων Συμμόρφωση με τους τοπικούς κανονισμούς
3. Διάθεση εξοπλισμού με εύφλεκτα ψυκτικά μέσα Συμμόρφωση με τους εθνικούς κανονισμούς
4. Αποθήκευση εξοπλισμού/συσκευών Η αποθήκευση του εξοπλισμού πρέπει να είναι σύμφωνη με τις οδηγίες του κατασκευαστή.
5. Αποθήκευση συσκευασμένου (μη πωληθέντος) εξοπλισμού Η προστασία της συσκευασίας αποθήκευσης πρέπει να είναι κατασκευασμένη έτσι ώστε μηχανική βλάβη του εξοπλισμού στο εσωτερικό της συσκευασίας να μην προκαλεί διαρροή του φορτίου ψυκτικού μέσου. Ο μέγιστος αριθμός τεμαχίων εξοπλισμού που επιτρέπεται να αποθηκεύονται μαζί θα καθορίζεται από τους τοπικούς κανονισμούς.
6. Η συσκευή αποθηκεύεται έτσι ώστε να αποφεύγεται η πρόκληση μηχανικής βλάβης.
7. Γενικός χώρος εργασίας Όλοι οι υπάλληλοι συντήρησης και οι λοιποί υπάλληλοι που εργάζονται στην περιοχή πρέπει να λαμβάνουν οδηγίες σχετικά με τη φύση των εργασιών που εκτελούνται. Πρέπει να αποφεύγονται οι εργασίες σε περιορισμένους χώρους. Η περιοχή γύρω από το χώρο εργασίας πρέπει να είναι απομονωμένη. Βεβαιωθείτε ότι οι συνθήκες εντός της περιοχής έχουν καταστεί ασφαλείς με έλεγχο εύφλεκτων υλικών.

### 2. Εγκατάσταση

#### Σημαντικό

1. Αυτό το κλιματιστικό μπορεί να μετακινηθεί άνετα σε έναν εσωτερικό χώρο, κρατήστε τη μονάδα σε όρθια θέση ενώ τη μετακινείτε. Το κλιματιστικό πρέπει να τοποθετείται σε επίπεδη επιφάνεια.  
Μην εγκαταστήσετε ή λειτουργείτε αυτό το κλιματιστικό σε ένα μπάνιο ή σε άλλο υγρό περιβάλλον.  
Δεδομένου ότι ένα φορητό κλιματιστικό στηρίζεται σε τροχούς, είναι εύκολο να του αλλάξετε θέσεις. Όταν επικρατεί ζέστη, απλώς μετακινήστε το φορητό κλιματιστικό σας στο δωμάτιο που επιθυμείτε, και μπορεί γρήγορα να αρχίσει να δροσίζει το χώρο.  
Το κλιματιστικό πρέπει να λειτουργεί σε κλειστό χώρο για να είναι πιο αποτελεσματικό. Κλείστε όλες τις πόρτες, τα παράθυρα και άλλα ανοίγματα στο δωμάτιο. Η αποτελεσματικότητα του Κλιματιστικού εξαρτάται από τη θερμοκρασία και το επίπεδο υγρασίας.
2. Τοποθετήστε το κλιματιστικό σε θέση που δεν περιορίζει τη ροή αέρα διαμέσου του μπροστινού τμήματος της μονάδας.
3. Ένα κλιματιστικό που λειτουργεί σε ένα δωμάτιο θα έχει μικρή ή καμία επίδραση στην ξήρανση ενός παρακείμενου κλειστού χώρου αποθήκευσης, όπως μια ντουλάπα, εκτός αν υπάρχει επαρκής κυκλοφορία του αέρα μέσα και έξω από την περιοχή. Ένα φορητό κλιματιστικό εκκενώνει τη θερμότητα από τη μονάδα με τη βοήθεια ενός εύκαμπτου σωλήνα εξαερισμού μέσα από ένα παράθυρο ή μιας βαλβίδας εξαγωγής αέρα.
4. Επεκτείνετε το σωλήνα εξαγωγής σε μήκος που δεν υπερβαίνει τα 400 mm. Ο σωλήνας εξαγωγής πρέπει να διατηρείται παράλληλος και να μην είναι λυγισμένος προς τα πάνω ή προς τα κάτω.
5. Θα πρέπει να υπάρχει απόσταση τουλάχιστον 50 cm μεταξύ κλιματιστικού και πλησιέστερου αντικείμενου. Δείτε την εικόνα για αναφορά.
6. Όταν αυτή η συσκευή αρχίσει να ξεπαγώνει, η λέξη "DF" θα εμφανίζεται στις ενδείξεις LED



## ΠΕΡΙΓΡΑΦΗ ΠΡΟΪΟΝΤΟΣ

### 3. Περιγραφή προϊόντος

#### A

1. Εύκαμπτος σωλήνας εξαγωγής
2. Συνδετήρας παραθύρων προαιρετικά (δεν περιλαμβάνεται)
3. Κιτ παραθύρων
4. Πρίζα
5. Μπαταρίες
6. Τηλεχειριστήριο
7. Σύνδεσμος για έξοδο ψυχρού αέρα (Προαιρετικό)

#### B

1. Εικόνες προϊόντος

#### C

1. Έξοδος ψυχρού αέρα
2. Πίνακας ελέγχου
3. Στρογγυλός προσαρμογέας(άκρο)
4. Εύκαμπτος σωλήνας εξαγωγής
5. Λαβή δεξιάς πλευράς
6. Έξοδος θερμού αέρα
7. Επάνω οπή αποστράγγισης
8. Γρίλια εισόδου ψυχρού αέρα
9. Λαβή αριστερής πλευράς
10. Γρίλια εισόδου θερμού αέρα
11. Κάτω οπή αποστράγγισης

#### D

1. Εικόνες πίσω μέρους προϊόντος

#### E

1. Εικόνα επάνω μέρους προϊόντος

#### F

1. ΠΛΗΚΤΡΟ ΤΡΟΦΟΔΟΣΙΑΣ
2. ΛΕΙΤΟΥΡΓΙΑ
3. ΠΛΗΚΤΡΟ ΡΥΘΜΙΣΗΣ ΘΕΡΜΟΚΡΑΣΙΑΣ (ΕΠΑΝΩ)
4. ΠΛΗΚΤΡΟ ΡΥΘΜΙΣΗΣ ΘΕΡΜΟΚΡΑΣΙΑΣ (ΚΑΤΩ)
5. L.E.D. ΟΘΟΝΗ
6. ΤΑΧΥΤΗΤΑ
7. ΠΡΟΓΡΑΜΜΑΤΙΖΟΜΕΝΟΣ ΧΡΟΝΟΔΙΑΚΟΠΤΗΣ
8. ΛΕΙΤΟΥΡΓΙΑ ΕΛΕΓΧΟΥ ΑΔΡΑΝΕΙΑΣ
9. ΤΑΛΑΝΤΕΥΣΗ

#### G

1. Εικόνα αφαίρεσης φίλτρου

#### H

1. Σχηματικό διάγραμμα καθαρισμού φίλτρου προστασίας

#### I

1. POWER—Διακόπτης ενεργοποίησης/ απενεργοποίησης
2. FUNC—Επιλογέας λειτουργίας "MODE"
3. TIMER—Ωριαίος προγραμματισμός
4. AUTO—Αυτόματη ταχύτητα ανεμιστήρα
5. HI—Υψηλή ταχύτητα ανεμιστήρα
6. MID—Μεσαία ταχύτητα ανεμιστήρα
7. LOW—Χαμηλή ταχύτητα ανεμιστήρα
8. SLEEP—Επιλογέας νυχτερινής λειτουργίας
9. TEMP.—Επιλογέας θερμοκρασίας
10. SWING—Ταλάντευση

#### J

1. Αντικατάσταση μπαταρίας τηλεχειριστηρίου. Χρησιμοποιήστε μόνο 2 μπαταρίες AAA 1,5 V.

#### K

1. Συστρέψτε τον εύκαμπτο σωλήνα εξαγωγής στον σύνδεσμο του εύκαμπτου σωλήνα.

#### L

1. Παρουσίαση της εγκατάστασης του σωλήνα εξαγωγής

#### M

1. Παρουσίαση του κιτ ολισθητήρα παραθύρου

#### N

1. Εισαγάγετε το βύσμα για το σετ παραθύρων

#### O

1. Εικόνα εξόδου νερού

## ΧΕΙΡΙΣΜΟΣ ΤΩΝ ΤΡΟΠΩΝ ΛΕΙΤΟΥΡΓΙΑΣ ΚΑΙ ΠΕΡΙΓΡΑΦΗ ΕΓΚΑΤΑΣΤΑΣΗΣ

### A. Αξεσουάρ

Αφού ανοίξετε το πακέτο, παρακαλούμε να ελέγξετε αν τα εξαρτήματα που αναφέρονται παραπάνω περιλαμβάνονται στη συσκευασία και να ελέγξετε τις χρήσεις τους στην παρουσίαση εγκατάστασης του παρόντος εγχειριδίου. Ο σύνδεσμος για έξοδο ψυχρού αέρα είναι προαιρετικός.

### B. Φορητό κλιματιστικό

### J. Εμφάνιση και λειτουργία του τηλεχειριστηρίου.

Σημειώσεις:- Μην ρίχνετε το τηλεχειριστήριο.- Μην τοποθετείτε το τηλεχειριστήριο σε μέρος που είναι άμεσα εκτεθειμένο στο ηλιακό φως.

### M. Παρουσίαση λειτουργίας

Πριν από την έναρξη των λειτουργιών αυτής της ενότητας:

- 1) Εντοπίστε μια θέση κοντά σε ρευματοδότη.
- 2) Εγκαταστήστε το σωλήνα εξαγωγής και προσαρμόστε καλά τη θέση στο παράθυρο.
- 3) Συνδέστε σωστά το σωλήνα αποστράγγισης (μόνο για τη χρήση στο μοντέλο θέρμανσης).
- 4) Τοποθετήστε το καλώδιο τροφοδοσίας σε έναν γειωμένο ρευματολήπτη AC220 ~ 240V/50Hz.
- 5) Πατήστε το κουμπί POWER για να ενεργοποιήσετε το κλιματιστικό.

### K και L. Παρουσίαση της εγκατάστασης του σωλήνα εξαγωγής

#### A) Προσωρινή εγκατάσταση

1. Στρέψτε τον εύκαμπτο σωλήνα εξαγωγής στο συνδεδεμένο εύκαμπτο σωλήνα και την έξοδο στο πίσω μέρος του κλιματιστικού
2. Τοποθετήστε το άλλο άκρο του σωλήνα εξαγωγής στο κοντινό περβάζι.

#### N. Παρουσίαση του κιτ ολισθητήρα παραθύρου

Ο τρόπος εγκατάστασης του κιτ ολισθητήρα παραθύρου είναι συνήθως «οριζόντιος» και «κάθετος». Όπως φαίνεται στις Εικ. 5 και Εικ. 5α, ελέγξτε το ελάχιστο και το μέγιστο μέγεθος του παραθύρου πριν από την εγκατάσταση.

1. Εγκαταστήστε το κιτ στο παράθυρο.
2. Ρυθμίστε το μήκος του ολισθητήρα του κιτ παραθύρου σύμφωνα με το πλάτος ή το ύψος του παραθύρου, και να το διορθώσετε με τον πείρο.
3. Τοποθετήστε το σωλήνα σύνδεσης παραθύρου στην οπή του κιτ παραθύρου.

### O. Λειτουργία ειδοποίησης για πλήρη εσωτερική δεξαμενή νερού

Η εσωτερική δεξαμενή νερού στο κλιματιστικό έχει έναν διακόπτη ασφάλειας στάθμης ύδατος, ελέγχει τη στάθμη ύδατος. Όταν η

στάθμη του νερού φτάσει σε ένα αναμενόμενο ύψος, ανάβει η ενδεικτική λυχνία πλήρους στάθμης νερού. (όταν η στάθμη νερού είναι πλήρης, αφαιρέστε την λαστιχένια τάπα στο κάτω μέρος της μονάδας, και όλο το νερό θα αποστραγγιστεί.)

### H. Επεξηγήσεις συντήρησης Δήλωση:

- 1) Πριν από τον καθαρισμό βεβαιωθείτε ότι έχετε αποσυνδέσει τη μονάδα από την πρίζα.
- 2) Μην χρησιμοποιείτε βενζίνη ή άλλα χημικά για να καθαρίσετε τη μονάδα.
- 3) Μην πλένετε τη μονάδα απευθείας.
- 4) Αν το κλιματιστικό είναι χαλασμένο, επικοινωνήστε με τον αντιπρόσωπο ή το

**Είναι πολύ σημαντικό το φίλτρο να καθαρίζεται τακτικά, διαφορετικά το κλιματιστικό ενδέχεται να χάσει την ικανότητά του και να υποστεί σοβαρή βλάβη.**

κατάστημα επισκευής.

1. Φίλτρο αέρα
  - Εάν το φίλτρο αέρα φράξει με σκόνη/βρωμιά, το φίλτρο αέρα πρέπει να καθαρίζεται μία φορά κάθε δύο εβδομάδες.
  - Μοντάρισμα
  - Ανοίξτε τη γρίλια εισαγωγής αέρα και βγάλτε το φίλτρο αέρα.
  - Καθαρισμός
  - Καθαρίστε το φίλτρο αέρα με ουδέτερο απορρυπαντικό σε χλιαρό νερό (40°C) και στεγνώστε το στη σκιά.
  - Τοποθέτηση
  - Για να βάλετε το φίλτρο αέρα στη γρίλια εισαγωγής, επανατοποθετήστε τα εξαρτήματα όπως ήταν.

2. Καθαρίστε πρώτα την επιφάνεια του κλιματιστικού με ουδέτερο απορρυπαντικό και βρεγμένο πανί και κατόπιν σκουπίστε το με ένα στεγνό πανί.

### E. Πριν από τη χρήση

- Ελέγξτε αν ο σωλήνας εξαγωγής έχει στερεωθεί σωστά.
- Προφυλάξεις για την ψύξη και την αφυδάτωση των εργασιών:
- Όταν χρησιμοποιείτε λειτουργίες για την ψύξη και την αφυδάτωση, κρατήστε ένα διάστημα τουλάχιστον 3 λεπτά μεταξύ κάθε ΕΝΕΡΓΟΠΟΙΗΣΗ.
  - Τροφοδοτικό πληροί τις απαιτήσεις.
  - Η υποδοχή είναι για χρήση AC.
  - Μην μοιράζεστε μία πρίζα με άλλες συσκευές.
  - Η τροφοδοσία ηλεκτρικού ρεύματος είναι

AC220-240V, 50Hz

 Η ενδεικτική λυχνία θα ανάψει μόνο όταν η μονάδα βρίσκεται σε λειτουργία θέρμανσης

Όταν η συσκευή είναι αποσυνδεδεμένη: Όλα τα πλήκτρα και οι ενδεικτικές λυχνίες δεν είναι ορατά.

Όταν είναι συνδεδεμένη: Η ενδεικτική λυχνία του πλήκτρο τροφοδοσίας και το πλήκτρο χρονοδιακόπτη είναι κατά το ήμισυ ενεργά για λειτουργία.

### 1. ΠΛΗΚΤΡΟ ΤΡΟΦΟΔΟΣΙΑΣ

Πατήστε για να θέσετε τη μονάδα εντός "ON" ή εκτός "OFF" λειτουργίας

### 2. ΛΕΙΤΟΥΡΓΙΑ

Πατήστε αυτό το πλήκτρο για να επιλέξετε ψύξη, αφύγρανση ή ανεμιστήρα.

### 3. ΠΛΗΚΤΡΟ ΡΥΘΜΙΣΗΣ ΘΕΡΜΟΚΡΑΣΙΑΣ (ΕΠΑΝΩ)

Κατά τη διάρκεια της λειτουργίας ψύξης: Το πλήκτρο αυτό αυξάνει την προκαθορισμένη θερμοκρασία κατά 1 °C κάθε φορά που πιέζεται και το μέγιστο όριο είναι 30 °C. Κατά τη λειτουργία θέρμανσης (μόνο στο μοντέλο Duo) αυτό το κουμπί αυξάνει το χρόνο χρονομέτρησης κατά μία ώρα κάθε φορά που το πατάτε, μαζί με την αύξηση του κύκλου. Κατά τη λειτουργία χρονοδιακόπτη: Αύξηση του χρόνου του χρονοδιακόπτη, Αυτό το πλήκτρο αυξάνει το χρόνο κατά 1 ώρα κάθε φορά που πιέζεται και ο κύκλος λειτουργίας αυξάνει.

### 4. ΠΛΗΚΤΡΟ ΡΥΘΜΙΣΗΣ ΘΕΡΜΟΚΡΑΣΙΑΣ (ΚΑΤΩ)

Κατά τη διάρκεια της λειτουργίας ψύξης: Το πλήκτρο αυτό μειώνει την προκαθορισμένη θερμοκρασία κατά 1 °C κάθε φορά που πιέζεται και το ελάχιστο όριο είναι 17 °C. Κατά τη λειτουργία θέρμανσης (μόνο στο μοντέλο Duo) αυτό το κουμπί αυξάνει την προκαθορισμένη θερμοκρασία κατά 1°C κάθε φορά που το πατάτε, με μέγιστο όριο τους 30°C. Κατά τη λειτουργία χρονοδιακόπτη: Μείωση του χρόνου του χρονοδιακόπτη, Αυτό το πλήκτρο μειώνει το χρόνο κατά 1 ώρα κάθε φορά που πιέζεται και ο κύκλος λειτουργίας μειώνεται.

### 5. L.E.D. ΟΘΟΝΗ

Η οθόνη υποδεικνύει την τρέχουσα θερμοκρασία ρύθμισης ή τη ρύθμιση του χρονοδιακόπτη. Κατά τη ρύθμιση της καθορισμένης θερμοκρασίας ή του χρονοδιακόπτη, εμφανίζεται η νέα ρύθμιση και στη συνέχεια η

## ΧΕΙΡΙΣΜΟΣ ΤΩΝ ΤΡΟΠΩΝ ΛΕΙΤΟΥΡΓΙΑΣ ΚΑΙ ΠΕΡΙΓΡΑΦΗ ΕΓΚΑΤΑΣΤΑΣΗΣ

οθόνη επιστρέφει στην τρέχουσα ρυθμισμένη θερμοκρασία.

※ Η οθόνη χρησιμοποιείται επίσης για να υποδείξει τους κωδικούς σφάλματος σε περίπτωση βλάβης, βλ. ΚΩΔΙΚΟΙ ΣΦΑΛΜΑΤΟΣ.

### 6. ΤΑΧΥΤΗΤΑ

Ψύξη: Πατήστε για να επιλέξετε ΧΑΜΗΛΗ, ΜΕΣΑΙΑ, ΥΨΗΛΗ ή ΑΥΤΟΜΑΤΗ ταχύτητα ανεμιστήρα.

Εάν έχει επιλεγεί η επιλογή "AUTO", η ρύθμιση "HIGH" ή "MEDIUM" ή "LOW" θα επιλεγεί αυτόματα ανάλογα με τη διαφορά μεταξύ της θερμοκρασίας ρύθμισης και της θερμοκρασίας περιβάλλοντος. Θερμοκρασία περιβάλλοντος - Θερμοκρασία ρύθμισης > 4 °C: Το μηχάνημα είναι σε υψηλή ταχύτητα ανεμιστήρα. 2 °C ≤ Θερμοκρασία περιβάλλοντος - Θερμοκρασία ρύθμισης ≤ 4 °C: Το μηχάνημα είναι σε μεσαία ταχύτητα ανεμιστήρα. 0 °C ≤ Θερμοκρασία περιβάλλοντος - Θερμοκρασία ρύθμισης ≤ 2 °C: Το μηχάνημα είναι σε χαμηλή ταχύτητα ανεμιστήρα.

Ανεμιστήρας: Πατήστε για να επιλέξετε ΧΑΜΗΛΗ, ΜΕΣΑΙΑ, ΥΨΗΛΗ ή ΑΥΤΟΜΑΤΗ ταχύτητα ανεμιστήρα.

\* Λάβετε υπόψη ότι η αυτόματη ταχύτητα ανεμιστήρα μπορεί να ρυθμιστεί μόνο στις λειτουργίες θέρμανσης (μόνο στο μοντέλο Duo) και ψύξης.

**Σημείωση:** Στη τη λειτουργία αφύγρανσης, αυτό το πλήκτρο δεν έχει λειτουργία επειδή η μονάδα έχει ρυθμιστεί σε χαμηλή ταχύτητα στη λειτουργία αφύγρανσης.

### 7. ΠΡΟΓΡΑΜΜΑΤΙΖΟΜΕΝΟΣ ΧΡΟΝΟΔΙΑΚΟΠΤΗΣ

Πλήκτρο ενεργοποίησης/απενεργοποίησης προγραμματιζόμενου χρονοδιακόπτη.

#### ΕΝΕΡΓΟΠΟΙΗΣΗ ΧΡΟΝΟΔΙΑΚΟΠΤΗ:

Ο χρονοδιακόπτης ενεργοποίησης χρησιμοποιείται για την αυτόματη ενεργοποίηση της μονάδας μετά το πέρας του καθορισμένου χρόνου.

- 1) Πατήστε το πλήκτρο "TIMER" (Χρονοδιακόπτης) σε κατάσταση αναμονής για να ρυθμίσετε την επιθυμητή ώρα.
- 2) Μόλις παρέλθει η καθορισμένη ώρα, η μονάδα θα ενεργοποιηθεί αυτόματα.
- 3) Πατήστε το πλήκτρο "POWER" (Τροφοδοσία) πριν από τη λήξη του χρονικού διαστήματος, ο χρόνος ρύθμισης θα ακυρωθεί και η μονάδα θα ενεργοποιηθεί.
- 4) Μπορείτε να ρυθμίσετε τη λειτουργία και την ταχύτητα ανεμιστήρα κατά τη ρύθμιση του χρονοδιακόπτη.

ΧΡΟΝΟΔΙΑΚΟΠΤΗΣ ΑΝΕΝΕΡΓΟΣ: Ο χρονοδιακόπτης απενεργοποίησης χρησιμοποιείται για την αυτόματη απενεργοποίηση της μονάδας μετά το πέρας του καθορισμένου χρόνου.

- 1) Πατήστε το πλήκτρο "TIMER" (Χρονοδιακόπτης) σε κατάσταση λειτουργίας για να ρυθμίσετε την επιθυμητή ώρα.
- 2) Μόλις παρέλθει η καθορισμένη ώρα, η μονάδα θα απενεργοποιηθεί αυτόματα.
- 3) Πατήστε το πλήκτρο "POWER" (Τροφοδοσία) πριν από τη λήξη του χρονικού διαστήματος, ο χρόνος ρύθμισης θα ακυρωθεί και η μονάδα θα απενεργοποιηθεί.

### 8. ΛΕΙΤΟΥΡΓΙΑ ΕΛΕΓΧΟΥ ΑΔΡΑΝΕΙΑΣ

- 1) Ενώ βρίσκεστε σε λειτουργία ψύξης, πατήστε το πλήκτρο SLEEP (Αδράνεια) για να ρυθμίσετε τη θερμοκρασία. Αυξάνεται 1 °C μετά από μία ώρα και κατά το μέγιστο αυξάνεται 2 °C μετά από 2 ώρες.
- 2) Πατήστε ξανά το πλήκτρο SLEEP (Αδράνεια) για να ακυρώσετε τη ρύθμιση.

### 9. ΤΑΛΑΝΤΕΥΣΗ

Πατήστε αυτό το πλήκτρο για να ταλαντώσετε τις λεπίδες στην έξοδο αέρα, η κίνηση θα σταματήσει όταν πατηθεί ξανά αυτό το πλήκτρο.

### ΣΥΝΑΓΕΡΜΟΣ

Όταν η δεξαμενή νερού είναι πλήρης, θα εμφανιστεί στην οθόνη Η' ΕΝΔΕΙΞΗ "E4". Για να συνεχίσετε τη λειτουργία, αφαιρέστε τη λαστιχένια τάπα του εύκαμπτου σωλήνα αποστράγγισης για να στραγγίξετε πρώτα το νερό. Η ένδειξη E4 θα εξαφανιστεί μετά την αποστράγγιση και, στη συνέχεια, μπορείτε να επανεκκινήσετε τη μονάδα πατώντας το πλήκτρο ΤΡΟΦΟΔΟΣΙΑΣ.

### Συντήρηση

Καθαρίστε τη μονάδα με ένα μαλακό υγρό πανί. Μην χρησιμοποιείτε διαλύτες ή ισχυρά καθαριστικά, καθώς αυτά τα υλικά μπορούν να βλάψουν την επιφάνεια της μονάδας.

### Σέρβις

Αν το κλιματιστικό απαιτεί σέρβις, πρέπει πρώτα να επικοινωνήσετε με το τοπικό σας κατάστημα λιανικής πώλησης. Για οποιαδήποτε αξίωση καταβολής εγγύησης απαιτείται η απόδειξη αγοράς.

### Οδηγίες αποθήκευσης

Τέλος της περιόδου αποθήκευσης

- 1) Ξεβιδώστε πλήρως το κάλυμμα της αποστράγγισης και τραβήξτε έξω το πώμα για να εκκενώσετε πλήρως το συμπυκνωμένο νερό.
  - 2) Διατηρήστε τη μονάδα σε λειτουργία ανεμιστήρα για μισή ημέρα ώστε να στεγνώσει εντελώς το εσωτερικό της μονάδας και να αποτρέψετε τη δημιουργία μούχλας.
  - 3) Απενεργοποιήστε τη μονάδα, τραβήξτε το βύσμα και στη συνέχεια τυλίξτε το καλώδιο τροφοδοσίας γύρω από τον στυλίσκο περιτύλιξης του καλωδίου, τοποθετήστε το βύσμα στην οπή γενικής στερέωσης στο πίσω μέρος της μονάδας, τοποθετήστε το πώμα νερού και το κάλυμμα αποστράγγισης.
  - 4) Αφαιρέστε το συγκρότημα του σωλήνα εξαγωγής της θερμότητας, καθαρίστε και φυλάξτε το με κατάλληλο τρόπο.
  - 5) Συσκευάστε σωστά το κλιματιστικό με μια μαλακή πλαστική σακούλα και αποθηκεύστε το σε ξηρό μέρος λαμβάνοντας κατάλληλα μέτρα προστασίας από τη σκόνη διατηρώντας τη μονάδα μακριά από παιδιά.
  - 6) Αφαιρέστε τις μπαταρίες από το τηλεχειριστήριο και φυλάξτε τις σε κατάλληλο μέρος.
- Σημείωση:**  
Βεβαιωθείτε ότι η μονάδα αποθηκεύεται σε ξηρό μέρος.  
Όλα τα αξεσουάρ της μονάδας πρέπει να προστατεύονται σωστά  
Η βάση καλωδίου τροφοδοσίας και η υποδοχή γενικής χρήσης μπορούν να προστατεύσουν σωστά το καλώδιο τροφοδοσίας.  
Έξυπνο, φιλικό προς το περιβάλλον και εξοικονόμηση ενέργειας με το αυτοεξατμιζόμενο σύστημα ψύξης.  
24ωρη λειτουργία χρονοδιακόπτη, μοναδική μουσική υπενθύμισης on/off.  
Προστασία επανεκκίνησης του συμπιεστή με καθυστέρηση 3,5 λεπτών και άλλες λειτουργίες πολλαπλής προστασίας.

ΠΡΟΒΛΗΜΑ	ΑΙΤΙΑ	ΑΝΤΙΜΕΤΩΠΙΣΗ
Η μονάδα δεν ξεκινά κατά το πάτημα του πλήκτρου ενεργοποίηση/ απενεργοποίηση	Ο πλήρης λαμπτήρας δεικτών νερού αναβοσβήνει και η δεξαμενή νερού είναι πλήρης.	Πετάξτε το νερό από τη δεξαμενή νερού.
	Η θερμοκρασία δωματίου είναι υψηλότερη από τη ρύθμιση της θερμοκρασίας (Ηλεκτρικός τρόπος θέρμανσης)	Επαναφορά της θερμοκρασίας
	Η θερμοκρασία δωματίου είναι χαμηλότερη από τη θερμοκρασία ρύθμισης. (Λειτουργία ψύξης)	Επαναφορά της θερμοκρασίας
Δεν είναι αρκετά δροσερά	Οι πόρτες ή τα παράθυρα δεν είναι κλειστά.	Βεβαιωθείτε ότι όλα τα παράθυρα και οι πόρτες είναι κλειστά.
	Υπάρχουν πηγές θερμότητας μέσα στο δωμάτιο.	Αφαιρέστε τις πηγές θερμότητας, αν είναι δυνατόν
	Ο εύκαμπτος σωλήνας αέρα εξάτμισης δεν συνδέεται ή εμποδίζεται.	Συνδέστε ή καθαρίστε τον εύκαμπο αεραγωγό εξάτμισης.
	Η ρύθμιση της θερμοκρασίας είναι πολύ υψηλή.	Επαναφορά της θερμοκρασίας
	Η είσοδος του αέρα είναι μπλοκαρισμένη.	Καθαρίστε την είσοδο αέρα.
Υψηλό επίπεδο θορύβου	Το δάπεδο δεν είναι επίπεδο ή δεν είναι αρκετά επίπεδο	Τοποθετήστε τη μονάδα σε επίπεδο, ομαλό δάπεδο αν είναι δυνατό
	Ο ήχος προέρχεται από τη ροή της ψυκτικής ουσίας μέσα στο κλιματιστικό	Είναι φυσιολογικό.
<p>Αν αντιμετωπίζετε πρόβλημα με το κλιματιστικό σας, ανατρέξτε στις παρακάτω οδηγίες αντιμετώπισης προβλημάτων. Αν καμία ενέργεια από τις παρακάτω δεν έχει αποτέλεσμα, επικοινωνήστε με το κατάστημα λιανικής πώλησης για σέρβις του κλιματιστικού σας.</p>		

Κωδικό σφάλματος	ΑΙΤΙΑ	ΑΝΤΙΜΕΤΩΠΙΣΗ
Κωδικός E1	Ηλεκτρικό βραχυκύκλωμα τόσο στον αισθητήρα θερμοκρασίας όσο και στο PCB	Επικοινωνήστε με ηλεκτρολόγο για την επισκευή
Κωδικός E2	Ηλεκτρικό βραχυκύκλωμα του χαλκοσωλήνα αισθητήρα θερμοκρασίας και της καλωδίωσης του PCB	Επικοινωνήστε με ηλεκτρολόγο για την επισκευή
Κωδικός E4	Υποδεικνύει πλήρες δοχείο νερού ή κακή επαφή με την πρίζα τροφοδοσίας	Ο χρήστης πρέπει να αφαιρέσει τη λαστιχένια τάπα που βρίσκεται στο κατώτατο σημείο της μονάδας, για να στραγγίξει το νερό. Ή να ελέγξει κατά πόσο η πρίζα τροφοδοσίας συνδέεται σωστά

## Εγγυήσεις

2 έτη εγγύηση προϊόντος για βλάβες που οφείλονται στην παραγωγή. Σημειώστε ότι η εγγύηση ισχύει μόνο με την επίδειξη της απόδειξης αγοράς. Η εγγύηση ισχύει μόνο εάν το προϊόν χρησιμοποιείται σύμφωνα με τις οδηγίες και τις προειδοποιήσεις ασφαλείας που αναφέρονται ρητά στο παρόν εγχειρίδιο. Η εγγύηση δεν καλύπτει ζημιές που προκαλούνται από ακατάλληλο χειρισμό του προϊόντος.

**ΣΗΜΕΙΩΣΗ:** Η 2ετής εγγύηση ισχύει μόνο για τους καταναλωτές και όχι για εμπορική χρήση της μονάδας.



### ΣΗΜΕΙΩΣΗ!

Εγγραφείτε στη διεύθυνση [www.warranty-woods.com](http://www.warranty-woods.com) και διαβάστε για τον τρόπο λήψης εκτεταμένης εγγύησης. Επισκεφτείτε την ηλεκτρονική διεύθυνση [woods.se](http://woods.se) για περισσότερες πληροφορίες.

### Συνιστώμενα όρια χρήσης

Η καλύτερη θερμοκρασία περιβάλλοντος για τη λειτουργία ψύξης είναι 17-35 °C, Παράμετρος ασφαλείων: 5ET ή SMT, 3.15A, 250Vac.

ΤΕΧΝΙΚΑ ΧΑΡΑΚΤΗΡΙΣΤΙΚΑ	Palermo 18K	Palermo 18K Duo A+	Palermo 22K
Ψυκτική ικανότητα	5,3KW	5,3 KW	6,5KW
Ισχύς θέρμανσης		5,0 KW	
Κατανάλωση ισχύος ψύξη/θέρμανση	2,030KW	1,7 KW/1,65KW	2,500KW
Ροή αέρα:	950m <sup>3</sup> / h	950 m <sup>3</sup> /h	950m <sup>3</sup> / h
Ενεργειακή κλάση	A	A+	A
Αφύγραση	90 L / 24ώρες	90 L/24 h	120 L / 24ώρες
Ρύθμιση θερμοκρασίας	17 - 30 °C	17-30 °C	17 - 30 °C
Θερμοκρασία λειτουργίας ψύξη/θέρμανση	16-35°C	16-35 °C /heating7-23°C	16-35°C
Βαθμός Ενεργειακής Απόδοσης (EER) ψύξη/θέρμανση	2,6	3,1/ 3,0	2,6
Ψυκτικό μέσο	R290/264g	R290/250g	R290/369g
Στάθμη θορύβου σε ντεσιμπέλ	65dB	65dB	65dB
Βάρος	51 kg/60 kg	51,5 kg/60,5 kg	52 kg/61 kg
Διαστάσεις σε χιλιοστά, Μ x Π x Υ	540x695x1140	540 x 695 x 1140	540x695x1140

\*Ενδέχεται να προκύψουν τεχνικές αλλαγές και βελτιώσεις. Όλες οι τιμές είναι κατά προσέγγιση και ενδέχεται να ποικίλουν λόγω εξωτερικών συνθηκών, όπως η θερμοκρασία, ο εξαερισμός και η υγρασία.



### Σημείωση: Προστασία του περιβάλλοντος και απόρριψη

- Οι καταναλωτές έχουν νομική υποχρέωση να απορρίπτουν κατάλληλα τις ηλεκτρονικές συσκευές, τους λαμπτήρες και τις μπαταρίες στο τέλος της διάρκειας ζωής τους.
- Μπορούν να επιστραφούν δωρεάν σε καθορισμένα σημεία συλλογής ή μέσω των λιανοπωλητών.
- Η διαγραφή των προσωπικών δεδομένων είναι ευθύνη του καταναλωτή.
- Οι λαμπτήρες και οι μπαταρίες που μπορούν να αφαιρεθούν με ασφάλεια και δεν είναι μόνιμα εγκατεστημένοι πρέπει να διαχωρίζονται για ξεχωριστή απόρριψη.
- Οι λεπτομέρειες της απόρριψης σύμφωνα με τη νομοθεσία διέπονται από την περιφερειακή νομοθεσία.
- Το σύμβολο του διαγραμμένου κάδου απορριμμάτων υποδηλώνει ότι οι ηλεκτρονικές συσκευές και οι μπαταρίες δεν πρέπει ποτέ να απορρίπτονται στα οικιακά απορρίμματα μετά τη λήξη της διάρκειας ζωής τους.
- Τα σύμβολα που βρίσκονται κάτω από τον κάδο απορριμμάτων υποδεικνύουν την πιθανή παρουσία ορισμένων ουσιών (μόλυβδος = Pb, υδράργυρος = Hg, κάδμιο = Cd).
- Αυτός ο διαχωρισμός είναι απαραίτητος επειδή οι μπαταρίες και οι ηλεκτρονικές συσκευές περιέχουν τόσο πολύτιμους πόρους όσο και ουσίες που είναι επιβλαβείς για τον άνθρωπο και το περιβάλλον.
- Με την ανακύκλωση, τη συλλογή και την επαναχρησιμοποίηση των μπαταριών και των κατάλληλων ηλεκτρονικών συσκευών, συμβάλλετε στη διατήρηση και προστασία του περιβάλλοντος και της ανθρώπινης υγείας.

## WOOD'S FYRIR HREINT OG HEILBRIGT INNHÚSSLOFT

Vörumerkið Wood fæddist með Wood-fjölskyldunni fyrir rúmum 65 árum í kanadíska borginni Guelph, Ontario. Þar hóf Wood að þróa og framleiða rakaeyða árið 1950. Síðan þá hefur Wood aðstoðað nokkur hundruð þúsund heimila við að koma í veg fyrir skemmdir vegna myglu og anda að sér hreinu lofti. Færanlegi loftkælirinn okkar er hentugur til notkunar í flestum tegundum loftslags, þar sem afkastageta hans er mikil, einnig við mismunandi hita- og rakastig. Þau eru notuð með góðum árangri á stöðum þar sem raki er, s.s. í dagstofum, skrifstofum og svefnherbergjum. Það magn heits lofts sem loftkælirinn fjarlægir fer eftir hitastigi, rakastigi og staðsetningu tækisins. Ytri veðurskilyrði geta einnig haft áhrif á afköst loftkælisins.

Loftkælarnir frá Wood eru öruggir í notkun og endast árum saman við stöðuga notkun.

## HVERNIG VINNUR LOFTKÆLINGARBÚNAÐUR?

Lágur þrýstingur framleiðir kalt loft. Aðal búnaður loftkælisins er kælivökvi sem undir lágum þrýstingi er breytt í gas. Ferlið „býr til kulda“, sem er sendur inn samtímis sem að heitu lofti er haldið úti.

Fljótandi kælivökvi fer í gegnum þensulventil og í rör þar sem þrýstingur er lágur.

Kælivökvinn gufar upp og verður að gasi. Ferlið sagnar að sér hita frá umhverfinu og rörið kælir.

Viftur blása köldu loftinu inn í herbergið.

Gasið fer í gegnum pressu sem eykur þrýstinginn og breytir gasinu í vökva.

Í þessu ferli, er hita sleppt út, hann leiddur í rör yfir í gagnstæða hlið og síða er hann blásinn út með viftu.

Hitastillir slekkur á tækinu þegar innanhússhitinn hefur kólnað nægilega.

## 1. ÖRYGGISVIÐVARANIR



Eldfim efni. Þetta tæki inniheldur R290/própan sem er eldfimt kæliefni.



Skoðaðu þessar leiðbeiningar varðandi öryggisupplýsingar.



Lesu tæknihandbók



Lesið notkunarhandbók.

## ÖRYGGISUPPLÝSINGAR

Áður en þú setur upp tækið og byrjar að nota það skaltu lesa meðfylgjandi leiðbeiningar vandlega. Framleiðandi er ekki ábyrgur ef röng uppsetning og notkun valda meiðslum og tjóni. Geymdu leiðbeiningarnar með tækinu til að geta skoðað þær.

## Öryggi barna og viðkvæmra

### VIÐVÖRUN



Hætta á meiðslum eða varanlegri fötlun.

Börn 8 ára og eldri og einstaklingar með skerta líkamlega getu, skynjun eða andlega getu, eða skort á reynslu og þekkingu geta notað þetta tæki undir eftirliti eða eftir að hafa fengið leiðbeiningar varðandi notkun tækisins á öruggan hátt og ef þau gera sér grein fyrir þeirri áhættu sem því fylgir.

Leyfið ekki börnum að leika sér með tækið.

Börnum yngri en 3 ára skal haldið frá tækinu nema undir stöðugu eftirliti.

Geymið allar umbúðir fjarri börnum.

Börn skulu ekki annast hreinsun og viðhald án umsjónar.

## Almennt öryggi

Þetta tæki er ætlað til nota á heimilum og svipuðum rýmum svo sem: Dagstofum, alrýmum, starfsmannaeldhúsum í verslunum, skrifstofum og öðru vinnuumhverfi. Flokkunarplatan er staðsett aftan á eða á hlið loftkælisins.

Haldið aðskotahlutum fjarri loftopum.

Notið ekki vélbúnað eða aðrar aðferðir til að hraða afíngingu en þær sem framleiðandi mælir með. Ekki skal geyma tækið í herbergi þar sem neistagjafar eru í gangi (opnir logar, gastæki eða rafmagnshitarar). Gatið ekki eða brennið.

Hafið í huga að kæliefni geta verið lyktarlaus. Notið ekki vatnsúða eða gufu til að hreinsa tækið.

Hreinsið tækið með rökum mjúkum klút. Notið aðeins hlutlaus hreinsiefni. Notið ekki slípvörur, slípiefnasvampa, leysiefni eða málmhluti.

Ef rafmagnssnúran er skemmd þarf að skipta um hana hjá framleiðanda, viðurkenndum viðgerðaraðila eða sambærilegum aðila til að forðast að hættulegar aðstæður skapist.

**ÖRYGGISLEIÐBEININGAR****Uppsetning  
VIÐVÖRUN**

Aðeins hæfur aðili skal annast uppsetningu tækisins. Fjarlægjið allar umbúðir. Setjið ekki upp eða notið skemmt tæki. Tækið skal setja upp, nota og geyma í herbergi sem er með stærri gólfhlöt en 13 m<sup>2</sup>(AC Palermo 18K) /25 m<sup>2</sup>(AC Palermo 22K). Fylgja skal þeim leiðbeiningum um uppsetningu sem fylgja tækinu. Sýnið ávallt aðgát þegar tækið er fært því það er þungt. Klæðist ávallt öryggishönskum. Hafið í huga að kæliefni geta verið lyktarlaus. Gangið úr skugga um að loft leiki óhindrað umhverfis tækið. Bíðið í að minnsta kosti 4 klukkustundir áður en tækið er tengt við rafmagn. Þetta er til að leyfa olíunni að renna til baka í pressuna. Setjið ekki tækið nálægt ofnum eða öðrum hitagjöfum. Setjið ekki tækið í beint sólarljós.

**Rafmagnstenging****VIÐVÖRUN**

Hætta á bruna og raflosti. Tækið skal tengja við jarðtengda innstungu. Gangið úr skugga um að rafmagnsupplýsingarnar á flokkunarkerfinu séu í samræmi við orkugjafann. Ef ekki, skal hafa samband við rafvirkja. Notið ávallt rétt uppsetta höggþetta innstungu. Notið ekki fjöltengi og framlengingarsnúrur.

Gætið þess að valda ekki skemmdum á rafíhlutum (t.d. tengjum, snúrum). Hafið samband við viðurkennda þjónustumiðstöð eða rafvirkja til að skipta um rafíhluti. Snúran verður að vera fyrir neðan innstunguna/klóna. Tengið ekki klóna við innstunguna fyrr en uppsetningu er lokið. Gangið úr skugga um að hægt sé að komast að klónni eftir uppsetningu. Dragið ekki í rafmagnssnúruna til að aftengja tækið. Togið alltaf í klóna sjálfa. Þessi tæki þarf að minnsta kosti 25 amper af rafmagn til þess að pressan geti starfað. Til að koma í veg fyrir að heimilisrafmagn slái út, vinsamlegast notið ekki neinar framlengingarsnúrur fyrir þetta tæki.

**Notkun****VIÐVÖRUN**

Hætta á meiðslum, bruna, raflosti eða eldsvoða. Breytið ekki eiginleikum tækisins.

Gætið þess að valda ekki skemmdum á kælihringrásinni. Hún inniheldur própan (R290), náttúrulegt gas með háa umhverfissamhæfni. Þetta gas er eldfimt.

Ef skemmdir eiga sér stað í kælihringrásinni skal ganga úr skugga um að engir logar eða og neistagjafar séu í herberginu. Loftræstið herbergið. Setjið ekki eldfimar vörur eða vörur sem eru bleyttar með eldfimum

efnum nálægt tækinu eða ofan á það. Notið þetta tæki við umhverfishita um 35 gráður eða minna. Hreinsið loftsíu reglulega til að fá sem best kælingarafköst. Þegar slökkt er á tækinu skaltu bíða í a.m.k. 3,5 mínútur áður en það er endurræst til að koma í veg fyrir skemmdir á pressunni. Þegar kveikt er á tækinu mun víftan starfa en pressan ræst þegar kæliviðvörðunin hefur blikkað í þrjár mínútur. Loftkælinn er aðeins hægt að tengja við rafmagn með viðnámskerfi sem ekki er meira en 0,219Ω. Ef þörf krefur, vinsamlegast hafið samband við rafveitu varðandi upplýsingar um kerfisviðnám.

**Förgun****VIÐVÖRUN**

Hætta á meiðslum. Takið tækið úr sambandi. Klippið rafmagnssnúruna af og fleygið henni. Kælihringrásin í þessu tæki er ósónvæn. Hafið samband við viðkomandi aðila í þínu landi til að fá upplýsingar um hvernig þú fargar tækinu á réttan hátt. Valdið ekki skemmdum á þeim hluta kælieiningarinnar sem er nálægt hitaskiptinum.

## FYRSTA UPPSETNING LOFTKÆLIS

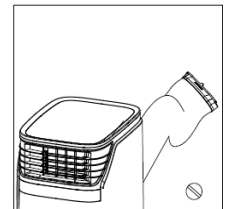
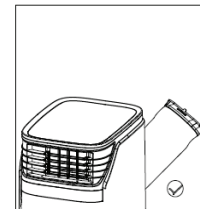
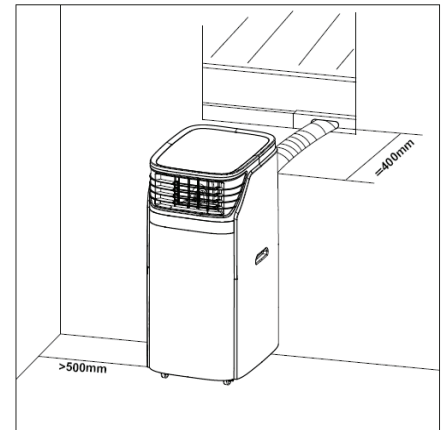
### Flutningur, merkingar og geymsla eininga

1. Flutningur á búnaði sem inniheldur eldfim kæliefni Samræmi við flutningsreglugerðir
2. Merking búnaðar með skiltum Samræmi við staðbundnar reglugerðir
3. Förgun á búnaði sem notar eldfim kæliefni Samræmi við innlendar reglugerðir
4. Geymsla búnaðar/tækja Geymsla búnaðar skal vera í samræmi við leiðbeiningar framleiðanda.
5. Geymsla á pökkudum (óseldum) búnaði Umbúðavörn fyrir geymslu skal gerð þannig að vélrænar skemmdir á búnaði inni í umbúðum valdi ekki leka á kælibúnaðinum. Hámarksfjöldi búnaðarluta sem heimilt er að geyma saman verður ákvarðaður samkvæmt staðbundnum reglugerðum.
6. Tækið skal geyma þannig að komið sé í veg fyrir að vélrænar skemmdir geti átt sér stað.
7. Almennt vinnusvæði Öllu viðhaldsstarfsfólki og öðrum sem starfa á staðnum skal leiðbeina um eðli þeirrar vinnu sem fram fer. Vinna í innilokuðu rými skal forðast. Svæðið í kringum vinnusvæðið skal vera afmarkað. Tryggja þarf að aðstæður innan svæðisins hafi verið gerðar öruggar með stjórn á eldfimu efni.

### 2. Uppsetning

#### Mikilvægt

1. Loftkælinn má auðveldlega færa til innandyra. Halda skal tækinu í uppréttri stöðu þegar það er fært. Staðsetja skal loftkælinn á sléttu yfirborði. Ekki skal setja tækið upp eða not það í baðherbergi eða öðru blautu umhverfi. Þar sem að færanlegi loftkælirinn er á hjólum er auðvelt að færa hann. Þegar hitinn hækkar er færanlegi loftkælirinn einfaldlega færður inn í herbergið og getur um leið farið að kæla niður rýmið. Loftkælinn skal nota í lokuðu rými til þess að afköstin verði sem best. Lokið öllum hurðum, gluggum og öðrum utanaðkomandi loftopum herbergisins. Afköst loftkælisins fara eftir hita- og rakastigi.
2. Staðsetjið loftkælinn þannig að loftflæði sé óhindrað inn um framhlið tækisins.
3. Loftkælir sem starfar í herbergi mun hafa lítil eða engin áhrif á þurrkun í aðliggjandi lokuðu geymslusvæði, svo sem skáp, nema fullnægjandi dreifing lofts sé til staðar í og út af svæðinu. Færanlegur loftkælir flytur hitann frá tækinu með loftbarka út um glugga eða loftræstiop.
4. Framlengið ekki útblástursbarkann um meira en 400 mm. Útblástursbarkanum skal haldið samhliða og hann má ekki vera beygður upp eða niður.
5. Halda skal a.m.k. 50 cm fjarlægð milli loftkælisins og nærliggjandi hluta. Sjá mynd til viðmiðunar.
6. Þegar þetta tæki byrjar afþýðingu birtist orðið „DF“ á LED



## VÖRULÝSING

### 3. Vörulýsing

- |  |   |   |
|--|---|---|
| <p><b>A</b></p> <ol style="list-style-type: none"> <li>Útblástursbarki</li> <li>Gluggatengi Valfrjálst (er ekki innifalið)</li> <li>Gluggasett</li> <li>Tenging</li> <li>Rafhlöður</li> <li>Fjarstýring</li> <li>Tengi fyrir úttak fyrir kalt loft (aukabúnaður)</li> </ol> <p><b>B</b></p> <ol style="list-style-type: none"> <li>Vörumyndir</li> </ol> <p><b>C</b></p> <ol style="list-style-type: none"> <li>Úttak fyrir kalt loft</li> <li>Stjórnborð</li> <li>Millistykki (endi)</li> <li>Útblástursbarki</li> <li>Handfang á hægri hlið</li> <li>Úttak fyrir heitt loft</li> <li>Afrennslisgat að ofan</li> <li>Inntaksgrill fyrir kalt loft</li> <li>Handfang á vinstri hlið</li> <li>Inntaksgrill fyrir heitt loft</li> <li>Afrennslisgat að neðan</li> </ol> <p><b>D</b></p> <ol style="list-style-type: none"> <li>Myndir af bakhlið tækis</li> </ol> <p><b>E</b></p> <ol style="list-style-type: none"> <li>Myndir af topp tækis</li> </ol> | <p><b>F</b></p> <ol style="list-style-type: none"> <li>AÐALROFI</li> <li>VIRKNI</li> <li>HITASTILLIHNAPPUR (UPP)</li> <li>HITASTILLIHNAPPUR (NIÐUR)</li> <li>L.E.D. SKJÁR</li> <li>HRAÐI</li> <li>FORRITANLEGUR TÍMASTILLIR</li> <li>SVEFNSTÝRINGARVIRKNI</li> <li>SVEIFLA</li> </ol> <p><b>G</b></p> <ol style="list-style-type: none"> <li>Mynd af fjarlægingu síunnar</li> </ol> <p><b>H</b></p> <ol style="list-style-type: none"> <li>Skýringarmynd af hreinsun á síugrilli</li> </ol> <p><b>I</b></p> <ol style="list-style-type: none"> <li>POWER——Af/Á-rofi</li> <li>FUNC——Valhnappur fyrir ham</li> <li>TIMER——Forritun klukkustunda</li> <li>AUTO——Sjálfvirkur víftuhraði</li> <li>HI——Mikill víftuhraði</li> <li>MID——Meðal víftuhraði</li> <li>LOW——Lítill víftuhraði</li> <li>SLEEP——Val á næturaðgerð</li> <li>TEMP.——Hitastigsval</li> <li>SWING——Sveifla</li> </ol> | <p><b>J</b></p> <ol style="list-style-type: none"> <li>Skipti á rafhlöðu í fjarstýringu. Notaðu aðeins 2x1,5 V AAA-rafhlöður.</li> </ol> <p><b>K</b></p> <ol style="list-style-type: none"> <li>Vefjið útblástursbarkann inn í barkatengið.</li> </ol> <p><b>L</b></p> <ol style="list-style-type: none"> <li>Uppsetning á útblástursbarka</li> </ol> <p><b>M</b></p> <ol style="list-style-type: none"> <li>Uppsetning á gluggarennusetti</li> </ol> <p><b>N</b></p> <ol style="list-style-type: none"> <li>Setjið á úttak fyrir gluggasett</li> </ol> <p><b>O</b></p> <ol style="list-style-type: none"> <li>Mynd af vatnsúttaki</li> </ol> |
|--|---|---|

## LÝSING Á AÐGERÐARHÖMUM OG UPPSETNINGU

### A. Aukabúnaður

Eftir uppökkun skal athuga hvort ofangreindir fylgihlutir séu innifaldir og athuga tilgang þeirra í uppsetningarkynningunni í þessari handbók. Tengi fyrir úttak fyrir kalt loft er aukabúnaður.

### B. Færanlegur loftkælir

#### J. Útlit og virkni fjarstýringar.

Athugið: -látið ekki fjarstýringuna detta.- Staðsetjið ekki fjarstýringuna í beint sólskin.

#### M. Kynning á starfrækslu

Áður en aðgerðir eru hafnar í þessum hluta:

- 1) Veljið stað nálægt innstungu.
- 2) Setjið útblástursbarkann upp og staðsetjið hann tryggilega í glugganum.
- 3) Tengid afrennisslönnguna vel (aðeins til að nota fyrir hitagerðir);
- 4) Setjið rafmagnsnúruna í jarðtengda AC220~240V/50Hz innstungu; 5) Ýtið á POWER-hnappinn til að kveikja á loftkælinum.

#### K&L. Uppsetning á útblástursbarka

- A) Uppsetning til bráðabirgða
1. Vefjið útblástursbarkann inn í barkatengið og úttakið aftan á loftkælinum
  2. Setjið hinn endann á útblástursbarkanum á nálæga gluggakistu.

N. Uppsetning á gluggarennusetti  
Uppsetningarháttur gluggarennusetsins er að mestu í „lárétt“ og „lóðrétt“. Eins og sýnt er á mynd 5 og mynd 5a, athugið lágm. og háam. stærð gluggans fyrir uppsetningu.

1. Setjið upp gluggarennusettið í gluggann;
2. Stillið lengd gluggarennusetsins í samræmi við gluggabreidd eða hæð, og festið það með stýringunni;
3. Setjið gluggatengibarkann í gatið á gluggasettinu.

O. Viðvörunareiginleiki fyrir fullan innri

### tank

Innri vatnstankurinn í kælinum er með öryggisrofa sem stýrir vatnshæðinni. Þegar vatnshæð nær viðeigandi hæð kviknar á vísiljósinu fyrir fullan tank. (Þegar tækið er fullt skal fjarlægja gúmmítappann í botni tækisins og allt vatn tæmist út.)

H. Atriði varðandi viðhald:

- 1) Gangið úr skugga um að tækið sé aftengt frá öllu rafmagni áður en þrif eru framkvæmd;
- 2) Notið ekki bensín eða önnur efni til að

*Það er mjög mikilvægt að hreinsa síuna reglulega; annars getur dregið úr afkastagetu loftkælisins og hann jafnvel skemmt alvarlega.*

þrifa tækið;

- 3) Þvoið ekki tækið beint;
- 4) Ef kælirinn er skemmdur, vinsamlegast hafðu samband við söluaðila eða viðgerðarverkstæði.

#### 1. Loftsía

-Ef loftsían stíflast með ryki/óhreinindum, skal hreinsa loftsíu á tveggja vikna fresti.

-Sundurtekning

Opnið loftinntaksgrillið og fjarlægið loftsíuna.

-Þrif

Hreinsaðu loftsíuna með hlutlausu volgu þvottaefni ( 40°C ) og látið hana þorna í skugga.

-Uppsetning

Setjið loftsíuna aftur inn í loftinntaksgrillið og setjið hlutina á sinn stað.

2. Hreinsið fyrst yfirborð loftkælisins með hlutlausu þvottaefni og blautum klút og þurrkið síðan af með þurrum klút.

#### E. Fyrir notkun

Gakktu úr skugga um að útblástursbarkinn sé rétt uppsettur.

Varúð fyrir kælingu og

rakeyðingaraðgerðir:

-Þegar kæling og rakaeyðing er notuð skal hafa að minnsta kosti 3 mínútur á milli STRAUMUR.

-Aflgjafi uppfyllir kröfur.

-Innstungan er fyrir AC-notkun.

-Deilið ekki einni innstungu með öðrum tækjum.

-Aflgjafi er AC220-240V, 50Hz

Þegar tekið er úr sambandi: Engin ljós fyrir hnappa og vísa sjást.

Þegar tengt er: Vísiljós fyrir aðalrofa og tímarofa loga til hálfis fyrir aðgerð.

#### 1. AÐALROFI

Ýtið til að kveikja á tækinu á „ON“ eða „OFF“

#### 2. VIRKNI

Ýtið á þennan hnapp til að velja kælingu, rakaeyðingu eða viftu.

#### 3. HITASTILLIHNAPPUR (UPP)

Við kælistarfsemi: Þessi hnappur hækkar forstillta hitann um 1 °C í hvert sinn sem ýtt er á hann og hámarkshitinn er 30 °C. Meðan á hitunaraðgerðinni stendur (aðeins Duo módel) eykur þessi hnappur tímátökutímamann um eina klukkustund í hvert sinn sem ýtt er á hann, ásamt aukningu á lotunni.

Við tímastarfsemi: Aukning tímastillingartíma. Þessi hnappur hækkar tímamann um 1 klukkustund í hvert sinn sem ýtt er á hann og eykur lotu.

#### 4. HITASTILLIHNAPPUR (NIÐUR)

Við kælistarfsemi: Þessi hnappur lækkar forstillta hitann um 1 °C í hvert sinn sem ýtt er á hann og lágmarkshitinn er 17 °C. Meðan á upphitunaraðgerðinni stendur (aðeins Duo gerð) hækkar þessi hnappur forstillt hitastig um 1°C í hvert sinn sem ýtt er á hann, með hámarksörkin stillt á 30°C.

Við tímastarfsemi: Minnka tímastillingartíma. Þessi hnappur minnkar tímamann um 1 klukkustund í hvert sinn sem ýtt er á hann og minnkar lotu.

#### 5. L.E.D. SKJÁR

Skjárinn gefur til kynna núverandi stillingu hitastigs eða tímastillinganna. Þegar stilltur hiti eða tímastillirinn er stilltur birtist nýja

## LÝSING Á AÐGERÐARHÖMUM OG UPPSETNINGU

stillingin á skjánum og síðan fer skjárinn til baka í núverandi hitastillingu.

✘ Skjárinn er einnig notaður til að sýna villukóða ef villa á sér stað, sjá VILLA KÓÐAR.

### 6. HRAÐI

Kæling: Ýtið á til að velja viftuhraðann LOW, MEDIUM, HIGH eða AUTO.

Ef „AUTO“ er valið, verður „HIGH“, „MEDIUM“ eða „LOW“ valið sjálfkrafa í samræmi við muninn á stillingu hitastigs og umlykjandi hitastigs. Lofthitastig-stillt hitastig > 4°C : Vél er stillt á mikinn viftuhraða.

2°C ≤ Lofthitastig-stillt hitastig ≤ 4°C: Vél er stillt á miðlungs viftuhraða.

0°C ≤ Lofthitastig-stillt hitastig ≤ 2°C : Vél er stillt á lítinn viftuhraða.

Vifta: Ýtið á til að velja viftuhraðann LOW, MEDIUM, HIGH eða AUTO.

\* Vinsamlega athugið að aðeins er hægt að stilla sjálfvirkan vindhraða í upphitun (aðeins Duo módel) og kælingu.

Ath: Í rakaeyðingarvirkni er þessi hnappur er ógildur vegna þess að tækið er skilgreint sem lághraða í rakaeyðingarham.

### 7. FORRITANLEGUR TÍMASTILLIR

Forritanlegur ON/OFF-hnappur fyrir tímastillingu.

TIMER-ON: „Timer-on“ er notað til að kveikja sjálfkrafa á tækinu þegar stilltur tími er liðinn.

1) Ýtið á hnappinn „TIMER“ í biðstöðu til að stilla óskaðan tíma.

2) Þegar stillt klukkustund er liðin mun tækið kveikja sjálfkrafa á sér.

3) Ef ýtt er á hnappinn „POWER“ áður en tíminn er liðinn, afturkallast tímastillingin og tækið fer í gang.

4) Þú getur stillt virkni og viftuhraða á meðan þú stillir tímastillinguna.

TIMER-OFF: „Timer-off“ er notað til að slökkva sjálfkrafa á tækinu þegar stilltur tími er liðinn.

1) Ýtið á hnappinn „TIMER“ í aðgerðarstöðu til að stilla óskaðan tíma.

2) Þegar stillt klukkustund er liðin mun tækið slökkva sjálfkrafa á sér.

3) Ef ýtt er á hnappinn „POWER“ áður en tíminn er liðinn, afturkallast tímastillingin og tækið slekkur á sér.

### 8. VIRKNI SVEFNSTÝRINGAR

1) Ýtið á hnappinn SLEEP til að stilla hitastigið á meðan tækið er í kæliham. Það eykst um

1 °C eftir klukkustund og sem mest

2 °C eftir 2 klst.

2) Þegar ýtt er á hnappinn SLEEP aftur afturkallast stillinguna.

### 9. SVEIFLA

Ýtið á þennan takka til að sveifla blaðinu á loftúttakinu og það stöðvast þegar ýtt er á þennan hnapp aftur.

### VIÐVÖRUN

Þegar vatnstankurinn er fullur birtist „E4“ á skjánum. Til að hefja aðgerð aftur, vinsamlega fjarlægjið gúmmítappann af afrennslisslöngunni til að tæma úr vatnið. Viðvörðunin „E4“ hverfur eftir tæmingu og þá er hægt að endurræsa tækið með því að ýta á hnappinn POWER.

### Viðhald

Forðist að nota leysiefni eða sterk hreinsiefni þar sem það getur skemmt yfirborð tækisins.

### Þjónusta

Ef loftkælirinn þarfnast þjónustu skal fyrst hafa samband við söluaðila.

Sönnunar fyrir kaupum er krafist fyrir allar ábyrgðarkröfur.

### Geymsluleiðbeiningar

Geymsla við lok árstíða

1) Skrúfið frárennslislokið af og takið vatnstappann úr til að tæma þéttivatn að fullu.

2) Hafði tækið í viftuhamnum í hálfan dag til að þurrka tækið alveg að innan til að koma í veg fyrir myglu.

3) Slökkvið á tækinu, takið það úr

sambandi og vefjið snúrunni í kringum snúruhaldarann, setjið klóna í festinguna á bakhlið tækisins og setjið vatnstappann og lokið á sinn stað.

4) Fjarlægið útblástursbarkabúnaðinn, þrifið hann og geymið á góðum stað.

5) Pakkið loftkælinum vandlega inn í mjúkan plastpoka og setjið hann á þurran stað með viðeigandi rykvörn og haldið tækinu fjarri börnum.

6) Takið rafhlöðurnar úr fjarstýringunni og geymið þær á góðum stað.

Ath:

Tryggið að tækið sé geymt á þurrum stað.

Vernda skal alla fylgihluti tækisins tryggilega saman.

Snúruhaldari og innstungur verja snúruna tryggilega.

Smart, umhverfisvænn og orkusparandi með sjálfeimandi kælikerfi.

24 tíma tímavirkni, einstök á/af áminningartónlist.

3,5 mínútna seinkun á ræsingunni til varnar pressu og ýmsir aðrir verndunareiginleikar.

VANDAMÁL	ORSÖK	ÚRRÆÐI
Tækið fer ekki í gang þegar ýtt er á hnappinn fyrir af/á	Ljós fyrir fullt vatn blikkar og vatnstankurinn er fullur.	Hellið vatninu úr vatnstankinum.
	Herbergishiitinn er hærrí en stilling hitastigs (rafmagnsupphitunhamur)	Endurstillið hitann
	Herbergishitastig er lægra en stillingarhitastigið. (Kælistilling)	Endurstillið hitann
Ekki nógu kalt	Hurðir eða gluggar eru ekki lokaðir.	Gakktu úr skugga um að allir gluggar og hurðir séu lokaðar.
	Það eru hitagjafir inni í herberginu.	Fjarlægjið hitagjafa ef hægt er
	Útblástursbarki ekki tengdur eða stíflaður.	Tengdu eða hreinsaðu útblástursbarkann.
	Hitastilling er of há.	Endurstillið hitann
	Loftinntak stíflað.	Hreinsið loftinntakið.
Tækið er hávært	Undirlag er óslétt eða hallandi	Staðsetjið tækið á slétt lárétt yfirborð ef hægter
	Hljóðið kemur frá kælivökvanum inni í loftkælinum	Það er eðlilegt.
Ef vandamál koma upp með loftkælinn; skoðið neðangreind atriði fyrir bilanaleit. Ef ekkert af neðangreindum úrræðum virka, vinsamlegast hafðu samband við söluaðila til að fá viðhaldsþjónustu.		

Bilanakóðar	ORSÖK	ÚRRÆÐI
E1 Kóði	Skammhlaup í bæði hitaskynjara og rafrásarspjaldi	Hafðu samband við rafvirkja til viðgerðar
E2 Kóði	Skammhlaup í koparröri hitaskynjara og leiðslum rafrásarspjalds	Hafðu samband við rafvirkja til viðgerðar
E4 Kóði	Gefur til kynna fullan vatnstank eða lélegt samband við innstungu	Notandi þarf að taka úr gúmmítappann sem er staðsettur í botni tækisins, til að tæma vatnið úr. Eða athuga hvort að innstungan er vel ísett

## Ábyrgðir

2 ára neytendaábyrgð á framleiðslugöllum. Vinsamlegast athugið að ábyrgðin gildir aðeins gegn framvísun kvittunar. Ábyrgðin gildir aðeins ef varan er notuð í samræmi við þær leiðbeiningar og öryggisviðvaranir sem eru að finna í þessari handbók. Ábyrgðin nær ekki til tjóns sem stafar af óviðeigandi meðferð vörunnar.

**ATHUGIÐ:** 2 ára ábyrgðin á aðeins við um neytendur og er ekki fyrir notkun tækisins í atvinnuskyni.



### ATH!

Skráðu þig á [www.warranty-woods.com](http://www.warranty-woods.com) og lestu um hvernig hægt er að fá framlengda ábyrgð. Frekari upplýsingar er að finna á [woods.se](http://woods.se).

### Ráðlögð mörk fyrir notkun

Besti umhverfishiti fyrir kælistarfsemi er 17-35 °C,  
Öryggjaupplýsingar: 5ET eða SMT, 3,15A, 250Vac.

TÆKNILÝSING	Palermo 18K	Palermo 18K Duo A+	Palermo 22K
Kæligeta	5,3KW	5,3 KW	6,5KW
Hitunargeta		5,0 KW	
Orkunotkun kæling/hitun	2,030KW	1,7 KW/1,65KW	2,500KW
Lofthæði:	950m <sup>3</sup> / klst	950 m <sup>3</sup> /h	950m <sup>3</sup> / klst
Orkuflokkur	A	A+	A
Rakaeyðing	90l / 24klst	90 L/24 h	120l / 24klst
Hitastilling	17-30 °C	17-30 °C	17-30 °C
Vinnuhiti kæling/hitun	16-35°C	16-35°C / heating7-23°C	16-35°C
EER kæling/hitun	2,6	3,1/ 3,0	2,6
Kælifni	R290/264g	R290/250g	R290/369g
Hávaðastig í desibel	65dB	65dB	65dB
Þyngd	51 kg/60 kg	51,5 kg/60,5 kg	52 kg/61 kg
Mál í mm, L x B x H	540x695x1140	540 x 695 x 1140	540x695x1140

\*Tæknilegar breytingar og endurbætur geta átt sér stað. Öll gildi eru um það bil og geta verið breytileg vegna utanaðkomandi aðstæðna s.s. hitastigs, loftþæstingar og rakastigs.



### Athugið: Vernd umhverfis og förgun

- Neytendur eru lög bundnir til að farga rafeindatækjum, ljósaperum og rafhlöðum á réttan hátt í lok líftíma þeirra.
- Þau má skila án endurgjalds á sérstökum almennum móttökustöðvum eða til smásöluáðila. • Eyðing persónuupplýsinga er á ábyrgð neytandans.
- Ljósaperur og rafhlöður sem hægt er að fjarlægja örugglega og eru ekki varanlega festar skulu aðskiljast til sérstakrar förgunar.
- Nákvæm fyrirmæli um löglega förgun eru stjórnuð af svæðisbundnum lögum.
- Táknid með yfirstrikað ruslatunnu merkir að rafrænum tækjum og rafhlöðum megi aldrei henda í heimilissorp eftir líftíma þeirra. • Táknin sem eru fyrir neðan ruslatunnu-merkið benda til mögulegrar innihalds ákveðinna efna (blý = Pb, kvikasilfur = Hg, kadmíum = Cd).
- Þessi aðskilnaður er nauðsynlegur vegna þess að rafhlöður og rafeindatæki innihalda bæði verðmæt auðlindarefni og efni sem eru skaðleg mönnum og umhverfinu.
- Með endurvinnslu, söfnun og endurnýtingu rafhlöða og hentugra rafeindatækja stuðlar þú að varðveislu og verndun umhverfis og mannsheilsu.



## ARIA INTERNA PULITA E SANA CON WOOD'S

Il marchio Wood's è nato con la famiglia Wood oltre 65 anni fa nella città canadese di Guelph, Ontario. È qui che Wood ha iniziato a sviluppare e produrre deumidificatori nel 1950. Da allora Wood's ha aiutato diverse centinaia di migliaia di famiglie a prevenire danni causati dall'umidità della muffa e a respirare un'aria più pulita. I nostri condizionatori d'aria portatili sono adatti per l'uso nella maggior parte dei contesti climatici e garantiscono buone prestazioni a diverse temperature e con diversi gradi di umidità. Vengono utilizzati con buoni risultati in ambienti che si riscaldano, come soggiorni, uffici o camere da letto. La quantità di aria calda rimossa dal condizionatore dipende dalla temperatura, dal livello di umidità e dal posizionamento. Anche le condizioni atmosferiche esterne possono influire sulle prestazioni del condizionatore d'aria.

I condizionatori d'aria Wood's sono sicuri e destinati all'uso continuo per molti anni.

## COME FUNZIONA L'UNITÀ DI CONDIZIONAMENTO DELL'ARIA?

La bassa pressione produce aria fredda. L'elemento principale del condizionatore d'aria è un refrigerante, che a bassa pressione viene convertito in gas. Il processo "crea freddo", che viene trasmesso verso l'interno mantenendo l'aria calda fuori.

Un refrigerante liquido viene fatto passare attraverso una valvola d'espansione e in una tubazione dove la pressione è bassa.

Il refrigerante evapora e si trasforma in gas. Il processo assorbe il calore dall'ambiente circostante e il tubo si raffredda.

Un ventilatore soffia aria fredda nella stanza. Il gas passa attraverso un compressore, che ne aumenta la pressione e lo trasforma in liquido. In questo processo, il calore rilasciato viene portato ai tubi sul lato opposto e spinto fuori da una ventola.

Quando l'aria interna è sufficientemente fredda, un termostato spegne l'unità.

## 1. AVVERTENZE DI SICUREZZA



Materiale infiammabile. Questo apparecchio contiene R290 (propano), un refrigerante infiammabile.



Fare riferimento al presente manuale per informazioni sulla sicurezza.



Leggere il manuale tecnico



Leggere il manuale degli operatori.

## INFORMAZIONI SULLA SICUREZZA

Prima dell'installazione e dell'uso dell'apparecchio, leggere attentamente le istruzioni fornite. Il produttore non è responsabile per lesioni e danni causati da un'installazione errata. Conservare sempre le istruzioni con l'apparecchio per poterle consultare in futuro.

## Sicurezza dei bambini e delle persone vulnerabili

### AVVERTENZA



Rischio di lesioni o invalidità permanente.

L'apparecchio può essere utilizzato da bambini di età superiore agli 8 anni e da persone con ridotte capacità fisiche, sensoriali o mentali o con mancanza di esperienza e conoscenza, a condizione che siano sottoposti a supervisione o abbiano ricevuto istruzioni sull'uso sicuro dell'apparecchio e ne comprendano i pericoli.

Non lasciare che i bambini giochino con l'apparecchio.

Tenere lontani i bambini di età inferiore ai 3 anni, a meno che non siano continuamente sorvegliati. Tenere tutti gli imballi fuori dalla portata dei bambini. Le operazioni di pulizia e di manutenzione non devono essere effettuate da bambini senza sorveglianza.

## Sicurezza generale

Questo apparecchio è destinato ad essere utilizzato in applicazioni domestiche e simili quali: Camere familiari, salotti, cucine per il personale nei negozi, uffici e altri ambienti di lavoro. La targhetta dei dati tecnici si trova sul lato o sul retro del condizionatore d'aria.

Tenere le aperture di ventilazione libere da ostruzioni.

Per accelerare il processo di sbrinamento non utilizzare dispositivi meccanici o altri mezzi diversi da quelli raccomandati dal produttore. L'apparecchio non deve essere conservato in ambienti in cui siano presenti fonti di ignizione (esempio: fiamme libere, apparecchi a gas o riscaldatori elettrici in funzione). Non perforare o bruciare.

Tenere presente che i refrigeranti possono essere inodori. Non utilizzare acqua nebulizzata e vapore per pulire l'apparecchio. Pulire l'apparecchio con un panno morbido umido. Utilizzare solo detergenti neutri. Non utilizzare prodotti abrasivi, spugne abrasive, solventi e oggetti metallici. Se il cavo di alimentazione è danneggiato, la sostituzione deve essere effettuata dal produttore, dal suo centro di assistenza autorizzato o da persone altrettanto qualificate, al fine di evitare pericoli.

**ISTRUZIONI DI SICUREZZA****Installazione****AVVERTENZA**

L'installazione di questo apparecchio deve essere effettuata solo da personale qualificato. Eliminare tutti gli imballaggi. Non installare né utilizzare l'apparecchio se danneggiato. L'apparecchio deve essere installato, messo in funzione e conservato in un ambiente con una superficie superiore a 13 m<sup>2</sup> (CA Palermo 18K) /25 m<sup>2</sup>(CA Palermo 22K). Attenersi alle istruzioni di installazione fornite con l'apparecchio. Prestare sempre attenzione quando si sposta l'apparecchio in quanto è pesante. Indossare sempre guanti di sicurezza. Tenere presente che i refrigeranti possono essere inodori. Assicurarsi che l'aria possa circolare intorno all'apparecchio. Attendere almeno 4 ore prima di collegare l'apparecchio all'alimentatore. In questo modo l'olio ritorna nel compressore. Non installare l'apparecchio vicino a radiatori o altre fonti di calore. Non installare l'apparecchio in presenza di luce solare diretta.

**Collegamento elettrico****AVVERTENZA**

Rischio di incendio e di scosse elettriche. L'apparecchio deve essere collegato a una presa con messa a terra. Assicurarsi che l'alimentazione corrisponda alle informazioni elettriche riportate sulla targhetta con i dati tecnici. In caso contrario, rivolgersi a un elettricista. Utilizzare sempre una presa antiurto correttamente installata. Non utilizzare adattatori multi-presa e prolunghe.

Assicurarsi di non causare danni ai componenti elettrici (ad esempio spina di alimentazione, cavo di alimentazione). Per la sostituzione dei componenti elettrici, rivolgersi al centro di assistenza autorizzato o a un elettricista. Il cavo di alimentazione deve rimanere al di sotto del livello della spina. Collegare la spina alla presa di alimentazione solo al termine dell'installazione. Accertarsi che dopo l'installazione sia possibile accedere alla spina di alimentazione. Per scollegare l'apparecchio non tirare il cavo di alimentazione. Tirare sempre la spina. Questa unità ha bisogno di almeno 25 ampere di elettricità per far funzionare il compressore. Per evitare un blackout elettrico, non utilizzare una prolunga per questa unità.

**Uso****AVVERTENZA**

Rischio di lesioni, ustioni, scosse elettriche o incendi. Non modificare le specifiche di questo apparecchio. Prestare attenzione a non danneggiare il circuito del refrigerante. Contiene propano (R290), un gas naturale con un alto livello di compatibilità ambientale. Questo gas è infiammabile. In caso di danni al circuito del refrigerante, assicurarsi che non vi siano fiamme e fonti di ignizione nella stanza. Ventilare l'ambiente. Non collocare prodotti infiammabili o oggetti bagnati con prodotti infiammabili vicino o sopra l'apparecchio.

Utilizzare questa unità in un ambiente di massimo 35 gradi centigradi. Pulire periodicamente il filtro dell'aria per un raffreddamento più efficiente. Quando l'unità è spenta, attendere almeno 3,5 minuti prima di riavviarla per evitare che il compressore venga danneggiato. Quando si accende l'unità, la ventola entra in funzione, ma il compressore si avvia dopo tre minuti di lampeggiamento dell'allarme di raffreddamento. Il condizionatore può essere collegato solo ad una alimentazione con impedenza di sistema non superiore a 0.219 Ω. In caso di necessità, consultare l'autorità di fornitura per le informazioni sull'impedenza di sistema.

**Smaltimento****AVVERTENZA**

Rischio di lesioni. Scollegare l'apparecchio dall'alimentazione. Tagliare il cavo di alimentazione e smaltirlo. Il circuito del refrigerante di questo apparecchio è privo di ozono. Contattare le autorità locali per informazioni su come smaltire correttamente l'apparecchio. Non danneggiare la parte dell'unità di raffreddamento che si trova vicino allo scambiatore di calore.

# CONFIGURAZIONE DEL CONDIZIONATORE D'ARIA PER L'INSTALLAZIONE

## Trasporto, marcatura e stoccaggio per unità

1. Trasporto di apparecchiature contenenti refrigeranti infiammabili  
Conformità alle norme di trasporto

2. Marcatura dell'apparecchiatura mediante segnaletica  
Conformità alle normative locali

3. Smaltimento delle apparecchiature con refrigeranti infiammabili  
Conformità alle normative nazionali

4. Stoccaggio di apparecchiature/attrezzature Lo stoccaggio delle apparecchiature deve essere conforme alle istruzioni del fabbricante.

5. Stoccaggio di apparecchiature imballate (invendute)

L'imballaggio protettivo per lo stoccaggio deve essere costruito in modo tale che eventuali danni meccanici all'apparecchiatura all'interno dell'imballaggio non causino una perdita di refrigerante. Il numero massimo di apparecchiature che possono essere stoccate insieme è determinato dalle normative locali.

6. L'apparecchiatura deve essere conservata in modo da evitare danni meccanici.

7. Area di lavoro generale Tutto il personale addetto alla manutenzione e gli altri addetti al lavoro sul territorio sono istruiti sulla natura dei lavori in corso. Evitare di lavorare in spazi ristretti. L'area intorno all'area di lavoro deve essere sezionata. Assicurarsi che le condizioni all'interno dell'area siano state rese sicure dal controllo di materiale infiammabile.

## 2. Installazione

### Importante

1. Questo condizionatore d'aria può essere spostato comodamente, mantenere l'unità in posizione verticale durante lo spostamento. Il condizionatore d'aria deve essere posizionato su una superficie piana.  
Non installare o azionare questo condizionatore d'aria in bagno o in altri ambienti umidi.  
Poiché il condizionatore d'aria portatile è dotato di ruote, è facile da spostare. Una volta acceso, è sufficiente spostare il condizionatore portatile in una stanza per iniziare rapidamente a raffreddare l'ambiente.  
Il condizionatore d'aria deve essere utilizzato in un ambiente chiuso per essere più efficace. Chiudere tutte le porte, le finestre e altre aperture esterne alla stanza. L'efficacia del condizionatore d'aria dipende dal livello di temperatura e umidità.

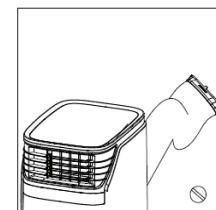
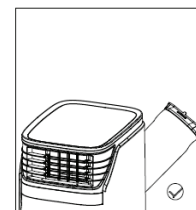
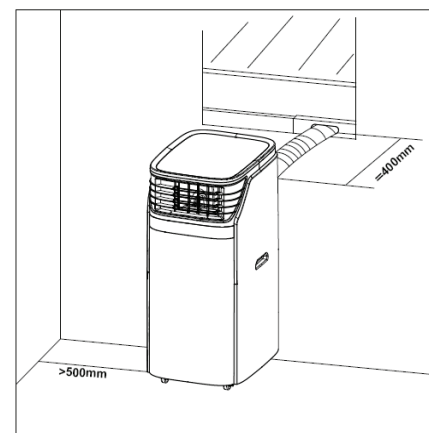
2. Collocare il condizionatore d'aria in un punto che non limiti il flusso d'aria verso la parte anteriore dell'unità.

3. Un condizionatore d'aria in funzione all'interno di una stanza avrà poco o nessun effetto nell'asciugare uno spazio di stoccaggio adiacente chiuso, come un armadio, a meno che non vi sia un'adeguata circolazione dell'aria dentro e fuori da tale spazio. Un condizionatore d'aria portatile espelle il calore dall'unità mediante un tubo di ventilazione attraverso una finestra o una valvola di sfiato.

4. Estendere il tubo di sfiato a una lunghezza non superiore a 400 mm. Il tubo di scarico deve essere mantenuto parallelo e non deve essere piegato verso l'alto o verso il basso.

5. Tra il condizionatore d'aria e l'oggetto più vicino deve esserci una distanza minima di 50 cm. Vedere l'immagine come riferimento.

6. Quando l'apparecchiatura inizia a scongelarsi, la parola "DF" verrà visualizzata sul LED



## DESCRIZIONE DEL PRODOTTO

### 3. Descrizione del prodotto

#### A

1. Tubo di sfiato
2. Connettore per finestra opzionale (non è incluso)
3. Kit per finestra
4. Spina
5. Batterie
6. Telecomando

#### B

1. Immagini del prodotto

#### C

1. Presa d'aria fredda
2. Pannello di controllo
3. Adattatore rotondo (estremità)
4. Tubo di sfiato
5. Maniglia lato destro
6. Presa d'aria calda
7. Foro di scarico superiore
8. Griglia di ingresso aria fredda
9. Maniglia lato sinistro
10. Griglia di ingresso aria calda
11. Foro di scarico inferiore

#### D

1. Vista dal retro del prodotto

#### E

1. Vista dall'alto del prodotto

#### F

1. TASTO DI ALIMENTAZIONE
2. FUNCTION
3. TASTO DI REGOLAZIONE DELLA TEMPERATURA (SU)
4. TASTO DI REGOLAZIONE DELLA TEMPERATURA (GIÙ)
5. DISPLAY LED
6. VELOCITÀ
7. TIMER PROGRAMMABILE
8. FUNZIONE DI CONTROLLO SOSPENSIONE
9. OSCILLAZIONE

#### G

1. Immagine della rimozione del filtro

#### H

1. Diagramma schematico della pulizia dello schermo del filtro

#### I

1. POWER—Interruttore di accensione/spengimento
2. FUNC—Selettore funzione "MODE"
3. TIMER—Programmazione oraria
4. AUTO—Velocità automatica della ventola
5. HI—Velocità ventola alta
6. MID—Velocità ventola media
7. LOW—Velocità ventola bassa
8. SLEEP—Selettore funzionamento notturno
9. TEMP.—Selettore temperatura
10. SWING—Oscillazione

#### J

1. Sostituzione della batteria del telecomando

#### K

1. Ruotare il tubo di sfiato nel connettore del tubo.

#### L

1. Introduzione all'installazione del tubo di sfiato

#### M

1. Installazione del kit di scorrimento per finestre

#### N

1. Inserire la spina per il set per finestre

#### O

1. Immagine dell'uscita dell'acqua

## FUNZIONE DELLE MODALITÀ DI FUNZIONAMENTO E DESCRIZIONI RELATIVE ALL'INSTALLAZIONE

### A. Accessori

Dopo aver estratto l'apparecchiatura dall'imballo, verificare che gli accessori di cui sopra siano inclusi e verificarne l'uso nell'introduzione all'installazione di questo manuale.

### B. Condizionatore portatile

#### J. Aspetto e funzione del telecomando.

Note: non far cadere il telecomando.

Non posizionare il telecomando in un luogo esposto alla luce solare diretta.

#### M. Introduzione al funzionamento

Prima di dare inizio alle operazioni di questa sezione:

- 1) Trovare un luogo con una presa di alimentazione nelle vicinanze.
- 2) Installare il tubo di sfiato e regolarlo bene in base alla posizione della finestra.
- 3) Collegare bene il tubo di scarico (solo per l'utilizzo del modello per il riscaldamento);
- 4) Inserire il cavo di alimentazione in una presa CA 220~240 V/50 Hz con messa a terra;
- 5) Premere il tasto di alimentazione per accendere il condizionatore.

#### K&L. Introduzione all'installazione del tubo di sfiato

##### A) Installazione temporanea

1. Ruotare il tubo di sfiato nel connettore del tubo e l'uscita sul retro del condizionatore d'aria
2. Collocare l'altra estremità del tubo di sfiato sul davanzale della finestra.

##### N. Installazione del kit di scorrimento per finestre

La modalità di installazione del kit di scorrimento per finestre è per lo più in "orizzontale" e "verticale". Come mostrato in Fig. 5 e Fig. 5a, controllare le dimensioni minime e massime della finestra prima dell'installazione.

1. Installare il kit sulla finestra;
2. Regolare la lunghezza del kit di scorrimento per finestre in base alla larghezza o all'altezza della finestra e fissarla con il tassello;
3. Inserire il tubo del connettore finestra nel foro del kit per finestre.

##### O. Funzione di allarme per serbatoio interno dell'acqua pieno

Il serbatoio interno dell'acqua nel

condizionatore d'aria è dotato di un interruttore di sicurezza per controllare il livello dell'acqua. Quando il livello dell'acqua raggiunge una determinata altezza, la spia di indicazione del pieno si accende. (Quando l'acqua è piena, rimuovere il blocco di gomma nella parte inferiore dell'unità, tutta l'acqua verrà scaricata all'esterno.)

#### H. Spiegazioni relative alla manutenzione:

- 1) Prima della pulizia, assicurarsi di scollegare l'unità da qualsiasi presa di alimentazione elettrica;
- 2) Non utilizzare benzina o altre sostanze chimiche per pulire l'unità;

***È molto importante che il filtro venga pulito regolarmente, altrimenti il condizionatore d'aria potrebbe perdere di capacità ed essere persino gravemente danneggiato.***

- 3) Non lavare direttamente l'unità;
- 4) Se il condizionatore è danneggiato, contattare il rivenditore o l'officina di riparazione.

#### 1. Filtro dell'aria

- Se il filtro dell'aria si intasa di polvere/sporco, pulirlo ogni due settimane.

- Smontaggio

Aprire la griglia di ingresso dell'aria e togliere il filtro.

- Pulizia

Pulire il filtro dell'aria con un detergente neutro tiepido (40 °C) e far asciugare all'ombra.

- Montaggio

Mettere il filtro dell'aria sulla griglia di ingresso, riposizionare i componenti nella posizione originale.

#### 2. Pulire la superficie del condizionatore d'aria.

Prima pulire la superficie con un detergente neutro e un panno bagnato, quindi pulirla con un panno asciutto.

#### E. Prima dell'uso

Verificare che il tubo di sfiato sia stato montato correttamente.

Precauzioni per il raffreddamento e la deumidificazione:

- Quando si utilizzano funzioni di raffreddamento e deumidificazione, mantenere un intervallo di almeno 3 minuti tra un'accensione e l'altra

#### ALIMENTAZIONE.

- L'alimentazione soddisfa i requisiti.

- La presa è per uso in CA.

- Non condividere la presa con altri elettrodomestici.

- L'alimentazione è CA 220-240 V, 50 Hz

Quando è scollegata: tutti i tasti e le spie luminose non sono visibili.

Quando è collegata: La spia del tasto di accensione e del tasto di temporizzazione è a metà per il funzionamento.

#### 1. TASTO DI ALIMENTAZIONE

Premere per accendere l'unità "ON" o "OFF"

#### 2. FUNCTION

Premere questo tasto per selezionare raffreddamento, deumidificazione o ventilazione.

#### 3. TASTO DI REGOLAZIONE DELLA TEMPERATURA (SU)

In modalità raffreddamento: questo tasto aumenta la temperatura preimpostata di 1 °C ogni volta che viene premuto e il limite massimo è di 30 °C. Durante la funzione di riscaldamento (solo modello Duo) questo pulsante aumenta il tempo di temporizzazione di un'ora ogni volta che viene premuto, insieme a un aumento del ciclo.

In modalità di temporizzazione: aumentando il tempo di temporizzazione, questo tasto aumenta il tempo di 1 ora ogni volta che viene premuto e aumenta il ciclo.

#### 4. TASTO DI REGOLAZIONE DELLA TEMPERATURA (GIÙ)

In modalità raffreddamento: questo tasto abbassa la temperatura preimpostata di 1 °C ogni volta che viene premuto e il limite minimo è di 17 °C. Durante la funzione di riscaldamento (solo modello Duo) questo pulsante aumenta la temperatura preimpostata di 1°C ogni volta che viene premuto, con il limite massimo fissato a 30°C.

In modalità di temporizzazione: riducendo il tempo di temporizzazione, questo tasto abbassa il tempo di 1 ora ogni volta che viene premuto e riduce il ciclo.

#### 5. DISPLAY LED

Il display indica la temperatura di impostazione

## FUNZIONE DELLE MODALITÀ DI FUNZIONAMENTO E DESCRIZIONI RELATIVE ALL'INSTALLAZIONE

corrente o l'impostazione del timer. Quando vengono regolati la temperatura o il timer, le nuove impostazioni vengono visualizzate, quindi il display restituisce la temperatura impostata corrente.

※ Il display viene utilizzato anche per mostrare i codici di errore in caso di guasto, vedere CODICI DI ERRORE.

### 6. VELOCITÀ

Raffreddamento: Premere per selezionare la velocità della ventola BASSA, MEDIA, ALTA o AUTO.

Se è selezionata l'opzione "AUTO", verrà selezionato automaticamente "ALTA" o "MEDIA" o "BASSA" in base alla differenza tra l'impostazione della temperatura e la temperatura ambiente.

Ventola: Premere per selezionare la velocità della ventola BASSA, MEDIA, ALTA o AUTO.

\* Si noti che la velocità automatica del vento può essere impostata solo nelle modalità di riscaldamento (solo il modello Duo) e di raffreddamento.

**Nota:** in deumidificazione, questo tasto non è valido perché l'unità è definita come bassa velocità in modalità deumidificazione.

### 7. TIMER PROGRAMMABILE

Tasto ON/OFF timer programmabile.

TIMER-ON: il timer-on viene utilizzato per accendere automaticamente l'unità al termine del tempo impostato.

- 1) Premere il tasto "TIMER" quando l'unità è in stand-by per impostare l'ora desiderata.
- 2) Allo scadere dell'ora impostata, l'unità si accende automaticamente.
- 3) Premere il tasto di alimentazione prima del time-out, l'orario di impostazione verrà annullato e l'unità si accende.
- 4) Impostando il timer, è possibile impostare la funzione e la velocità della ventola.

TIMER-OFF: il timer-off viene utilizzato per spegnere automaticamente l'unità al termine del tempo impostato.

- 1) Premere il tasto "TIMER" quando l'unità è in funzione per impostare l'ora desiderata.
- 2) Allo scadere dell'ora impostata, l'unità si spegne automaticamente.

3) Premere il tasto di alimentazione prima del time-out, l'orario di impostazione verrà annullato e l'unità si spegne.

### 8. FUNZIONE DI CONTROLLO SOSPENSIONE

- 1) Mentre si è in modalità di raffreddamento, premere il tasto SOSPENSIONE per impostare la temperatura. Aumenta di 1 °C dopo un'ora e al massimo aumenta di 2 °C dopo 2 ore.
- 2) Premere di nuovo il tasto SOSPENSIONE per annullare l'impostazione.

### 9. OSCILLAZIONE

Premere questo tasto per far oscillare le lame sull'uscita dell'aria, premerlo nuovamente per arrestarle.

### ALLARME

Quando il serbatoio dell'acqua è pieno, verrà visualizzato "E4" sul riquadro del display.

Per riprendere il funzionamento, rimuovere il tappo di gomma del tubo di scarico e drenare l'acqua. L'avvertenza E4 non verrà più visualizzata dopo lo scarico, quindi è possibile riavviare l'unità premendo il tasto di alimentazione.

### Manutenzione

Pulire l'unità con un panno morbido e umido. Non utilizzare solventi o detersivi aggressivi in quanto ciò potrebbe danneggiare la superficie dell'unità.

### Assistenza

Se il condizionatore d'aria richiede interventi di assistenza, contattare il rivenditore locale. Per tutte le richieste di garanzia è necessario presentare la prova d'acquisto.

### Istruzioni per lo stoccaggio

#### Stoccaggio di fine stagione

- 1) Svitare il coperchio dello scarico ed estrarre il tappo per drenare completamente l'acqua di condensa.
- 2) Mantenere l'unità in funzione in modalità ventilazione per mezza giornata al fine di asciugare completamente l'interno dell'unità ed evitare che ammuffisca.
- 3) Spegnere l'unità, estrarre la spina, quindi

avvolgere il cavo di alimentazione attorno al pilastro di avvolgimento, inserire la spina nel foro di fissaggio universale sul pannello posteriore dell'unità, inserire il tappo dell'acqua e il coperchio dello scarico.

- 4) Rimuovere il gruppo tubo di sfianto calore, pulirlo e conservarlo correttamente.
- 5) Imballare correttamente il condizionatore d'aria con un sacchetto di plastica morbido e metterlo in posizione asciutta adottando adeguate misure antipolvere e tenere l'unità fuori dalla portata dei bambini.
- 6) Estrarre le batterie dal telecomando e conservarle correttamente.

#### Nota:

Assicurarsi che l'unità sia stoccata in un luogo asciutto.

Tutti gli accessori dell'unità devono essere protetti correttamente e tenuti insieme.

Il supporto del cavo di alimentazione e la presa universale possono proteggere bene il cavo di alimentazione.

Intelligente, rispettoso dell'ambiente e a risparmio energetico con sistema di raffreddamento ad evaporazione automatica. Funzione timer 24 ore su 24, motivo musicale di accensione e spegnimento.

3,5 minuti di ritardo per il ripristino della protezione sul compressore e altre funzioni di protezione multipla.



PROBLEMA	CAUSA	SOLUZIONE
L'unità non si avvia quando si preme il pulsante on/off	La spia di indicazione del pieno lampeggia e il serbatoio dell'acqua è pieno.	Scaricare l'acqua dal serbatoio.
	La temperatura ambiente è superiore alla temperatura di impostazione (modalità di riscaldamento elettrico)	Resettare la temperatura
	La temperatura ambiente è inferiore alla temperatura di impostazione. (Modalità raffreddamento)	Resettare la temperatura
Raffreddamento insufficiente	Le porte o le finestre non sono chiuse.	Assicurarsi che tutte le finestre e le porte siano chiuse.
	Presenza di fonti di calore all'interno della stanza.	Rimuovere le fonti di calore, se possibile
	Tubo dell'aria di sfato non collegato o ostruito.	Collegare o pulire il tubo dell'aria di sfato.
	L'impostazione della temperatura è troppo alta.	Resettare la temperatura
	Presa d'aria bloccata.	Pulire la presa d'aria.
Rumorosità	La messa a terra non è in bolla o non è abbastanza in piano	Posizionare l'unità su una superficie in piano o in bolla
	Rumore proveniente dal flusso del refrigerante all'interno del condizionatore d'aria	Questo è normale.
In caso di problemi con il deumidificatore, fare riferimento alla seguente sezione "Risoluzione dei problemi". Se nulla di quanto segue funziona, contattare il rivenditore per la manutenzione del condizionatore d'aria.		

Codici di errore	CAUSA	SOLUZIONE
Codice E1	Cortocircuito elettrico sia sul sensore di temperatura che sul circuito stampato	Rivolgersi a un elettricista per la riparazione
Codice E2	Cortocircuito elettrico del tubo di rame del sensore di temperatura e del cablaggio del circuito stampato	Rivolgersi a un elettricista per la riparazione
Codice E4	Indica serbatoio dell'acqua pieno o cattivo contatto con spina di alimentazione	Estrarre il tappo di gomma che si trova nella parte inferiore dell'unità per drenare l'acqua. Oppure verificare che la spina sia ben inserita

## Garanzie

Sul prodotto si applica una garanzia di 2 anni per difetti di produzione. La garanzia è valida solo previa esibizione della ricevuta. La garanzia è valida solo se il prodotto viene utilizzato seguendo le istruzioni e le avvertenze di sicurezza riportate in questo manuale. La garanzia non copre i danni causati da un uso improprio del prodotto.

NOTA: la garanzia di 2 anni si applica solo ai consumatori e non all'uso commerciale dell'unità.



### NOTA!

Registrarsi su [www.warranty-woods.com](http://www.warranty-woods.com) e leggere come ottenere una garanzia estesa. Visitare [www.woods.se](http://www.woods.se) per ulteriori informazioni.

### Limiti raccomandati per l'utilizzo

La migliore temperatura ambiente di esercizio per il raffreddamento è di 17-35 °C, Parametro fusibile: 5ET o SMT, 3,15 A, 250 Vca.

DATI TECNICI	Palermo 18K	Palermo 18K Duo A+	Palermo 22K
Capacità frigorifera	5,3 KW	5,3 KW	6,5 KW
Capacità di riscaldamento		5,0 KW	
Consumo di energia raffreddamento/riscaldamento	2.030 KW	1,7 KW/1,65KW	2.500 KW
Portata d'aria:	950 m <sup>3</sup> /h	950 m <sup>3</sup> /h	950 m <sup>3</sup> /h
Classe energetica	A	A+	A
Deumidificazione	90 L / 24 h	90 L/24 h	120 L / 24 h
Impostazione della temperatura	17-30 °C	17-30 °C	17-30 °C
Temperatura di esercizio raffreddamento/riscaldamento	16-35 °C	16-35 °C / heating7-23°C	16-35 °C
EER raffreddamento/riscaldamento	2,6	3,1/ 3,0	2,6
Gas refrigerante	R290/264g	R290/250g	R290/369g
Rumorosità in decibel	65dB	65dB	65dB
Peso	51 kg/60 kg	51,5 kg/60,5 kg	52 kg/61 kg
Dimensioni in mm, L x B x H	540x695x1140	540 x 695 x 1140	540x695x1140

\*Modifiche e miglioramenti tecnici possono essere introdotti in qualsiasi momento. Tutti i valori sono approssimativi e possono variare a causa di circostanze esterne, come temperatura, ventilazione e umidità.



### Nota: protezione dell'ambiente e smaltimento

- I consumatori sono tenuti per legge a smaltire correttamente i dispositivi elettronici, le lampadine e le batterie al termine del loro ciclo di vita.
- Possono essere restituiti gratuitamente presso i punti di raccolta pubblici designati o tramite i rivenditori.
- La cancellazione dei dati personali è responsabilità del consumatore.
- Le lampadine e le batterie che possono essere rimosse in modo sicuro e non sono installate in modo permanente devono essere separate per lo smaltimento differenziato.
- I dettagli dello smaltimento conforme alla legge sono regolati dalla legislazione regionale.
- Il simbolo di un bidone della spazzatura barrato indica che i dispositivi elettronici e le batterie non devono mai essere smaltiti nei rifiuti domestici al termine del loro ciclo di vita.
- I simboli posti sotto il bidone dei rifiuti indicano la possibile presenza di determinate sostanze (piombo = Pb, mercurio = Hg, cadmio = Cd).
- Questa separazione è necessaria perché le batterie e i dispositivi elettronici contengono sia risorse preziose che sostanze nocive per l'uomo e l'ambiente.
- Riciclando, raccogliendo e riutilizzando le batterie e i dispositivi elettronici idonei, contribuisce alla conservazione e alla protezione dell'ambiente e della salute umana.

*Wood's is marketed and distributed by:*

*Woods Production AB.*

*Box 356*

*441 27, Alingsås*

*Sweden.*

*woods.se*

*info@woods.se*

*+46 317613610*

***Wood's***<sup>®</sup>